

<001 Crankcase>
<002 Crankshaft, Conrods And Pistons>
<003 R.H. Cylinder Head>
<004 L.H. Cylinder Head>
<005 Timing - Tappets>
<006 Timing - Controls>
<007 Injection Device - Ignition>
<008 Pneumatics Actuator System>
<009 Fuel Pumps and Pipes>
<010 Fuel Tanks and Union>
<011 Fuel Tanks - Fixing and Protection>
<012 Antieaporation Device>
<013 Air Intake Manifold>
<014 Air Intake>
<015 Air Intake Manifold Cover>
<016 Electronic Accelerator Pedal>
<017 Racing Exhaust System>
<018 Lubrication System - Tank - Heater Exchanger>
<019 Water_Oil Pump>
<020 Nourice>
<021 Cooling System>
<022 Cooling System Radiators>
<023 Clutch and Controls -Not for F1->
<024 Clutch and Controls -Valid for F1->
<025 Pedals>
<026 F1 Clutch Hydraulic Control -Valid for F1->
<027 Power Unit and Tank -Valid for F1->
<028 Gearbox - Covers>
<029 Main Shaft Gears>
<030 Lay Shaft Gears>
<031 Inside Gearbox Controls>
<032 Outside Gearbox Controls>
<033 Differential and Axle Shaft>
<034 Brakes and Clutch Hydraulic Controls>
<035 Brake Booster System>
<036 Brake System>
<037 Calipers for Front and Rear Brakes>
<038 Hand-Brake Control>
<039 Hydraulic Steering Box and Serpentine>
<040 Steering Column>
<041 Hydraulic Steering Pump and Tank>
<042 Front Suspension - Shock Absorber and Brake Disc>
<043 Front Suspension - Wishbones>
<044 Rear Suspension - Shock Absorber and Brake Disc>
<045 Rear Suspension - Wishbones>
<046 Wheels>
<047 Tyres Pressure Control System>
<048 Battery>
<049 Current Generator - Starting Motor>
<050 Air Conditioning Compressor>

<051 Tools Equipment and Accessories>

<052 Documentation and Accessories>

<053 Spare Wheel and Equipment -Optional->

ROSSO
グループ株式会社
<https://www.rossoauto.com>

<100 Body - Outer Trims>
<101 Frame - Complete Front Part Structures and Plates>
<102 Frame - Front Elements Structures and Plates>
<103 Central Side Elements and Plates>
<104 Frame - Rear Elements Structures and Plates>
<105 Frame - Rear Elements Sub-Groups>
<106 Flat Floor Pan and Wheelhouse>
<107 Insulations>
<108 Passengers Compartment Carpets>
<109 Front Compartment Trims>
<110 Roof Panel Upholstery and Accesories>
<111 Chassis - Gaskets - Mouldings>
<112 Linings and Capote Top Housing>
<113 Capote Mechanism and Tie Rods>
<114 Capote Front Closing>
<115 Capote Movement - Upper Part>
<116 Capote Movement - Lower Part>
<117 Capote Control and Flaps>
<118 Capote Control Station and Microswitches>
<119 Hydraulic Plant and Electrohydraulic Pump>
<120 Front Hood and Opening Device>
<121 Engine Bonnet>
<122 Opening Devices for Engine Bonnet and Gas Door>
<123 Doors - Framework and Coverings>
<124 Doors - Framework and Coverings>

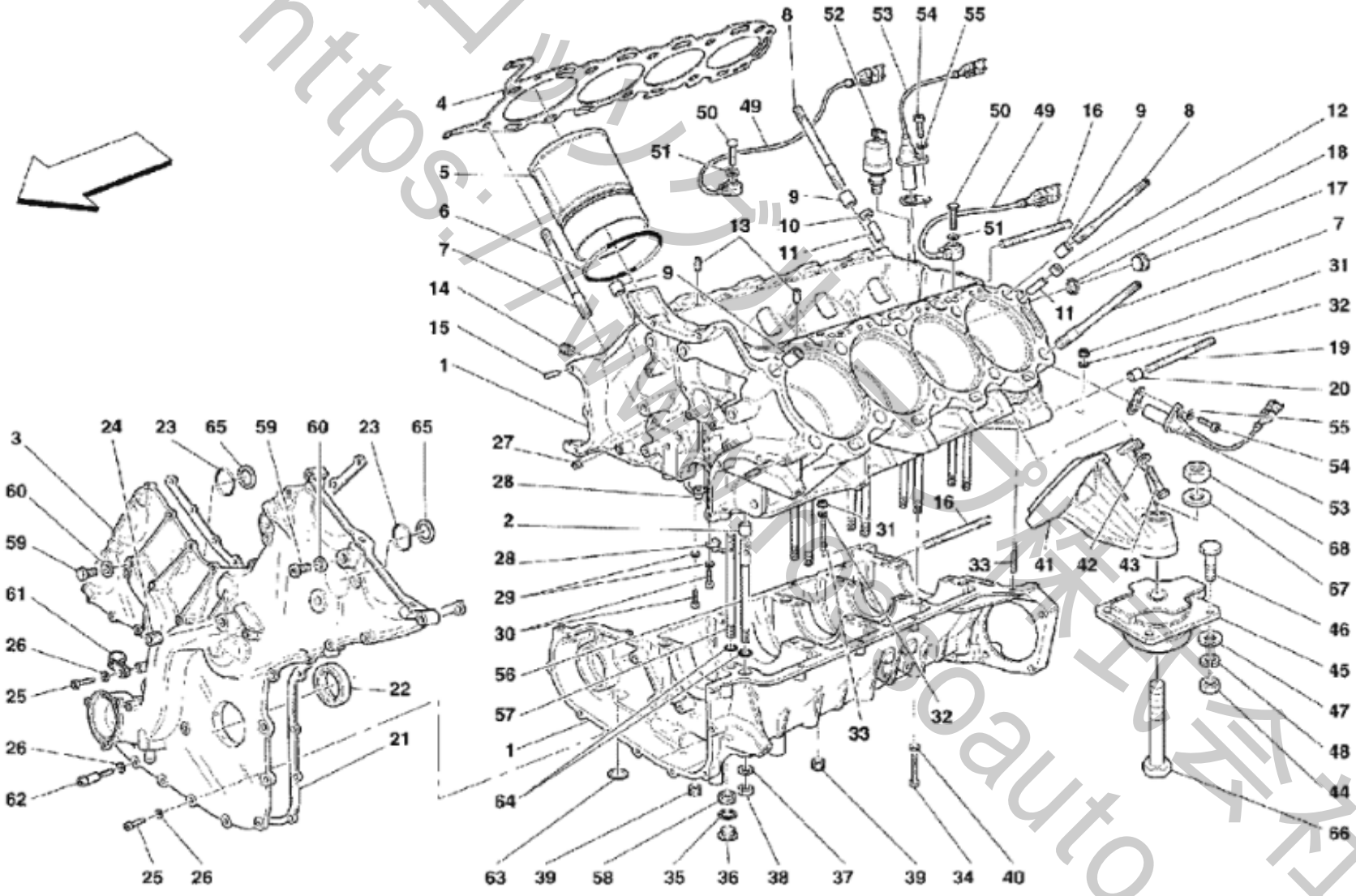
<125 Doors - Power Window and Rearview Mirror>
<126 Front Bumper>
<127 Rear Bumper>
<128 Glasses and Gaskets>
<129 Manual Seat - Safety Belts>
<130 Electrical Seat - Safety Belts>
<131 Electrical Seat - Guide and Movement>
<132 Racing Seat-4 Point Belts-Roll Bar>
<133 Tunnel - Framework and Accessories>
<134 Rear Glove Box>
<135 Dashboard>
<136 Dashboard Drawer>
<137 Air-BagsAir-Bags>
<138 Dashboard Instruments>
<139 Front and Rear Lights>
<140 Shields - Outside Finishing>
<141 Windshield, Glass Washer and Horns>
<142 Electrical System>
<143 Front Passengers Compartment Control Stations>
<144 Front and Motor Compartments Electrical Boards and Sensor>
<145 Rear Passengers Compartment Control Stations>
<146 Anti Theft Electrical Boards and Devices>
<147 Evaporator Unit>
<148 Air Conditioning System>
<149 Stereo Equipment>

<150 Radio Amplifier System>

<151 Immobilizer Kit>

ロッシェグループ株式会社
<https://www.rossoauto.com>

<001 Crankcase>



<001 Crankcase>

No.	Part No.	Name	Qty
1	215926	COMPLETE CRANKCASE	1
1	236095	COMPLETE CRANKCASE	1
2	176421	CENTERING DOWEL	10
3	229253	FRONT COVER	1
4	184967	L.H. HEAD GASKET	1
4	184966	R.H. HEAD GASKET	1
5	190770	CYLINDER LINER	8
6	186251	GASKET	24
7	217967	STUD	10
8	217968	STUD	10
9	185360	CENTERING DOWEL	4
10	201850	DOWEL	1
11	200458	NONRETURN VALVE	2
12	201849	DOWEL	1
13	177727	CENTERING DOWEL	2
14	164400	THREADED PLUG	1
15	175611	CENTERING DOWEL	2
16	13546734	STUD	4
17	193885	THREADED PLUG	1
18	10263460	GASKET	1
19	13546934	STUD	9
20	100052	CENTERING DOWEL	2
21	245464	FRONT COVER GASKET	1
21	323979	FRONT COVER GASKET	1
22	188717	COVER GASKET	1
23	183010	O.R. GASKET	2
24	14324940	THREADED PLUG	1
25	14305624	SCREW	1
25	14305924	SCREW	2
25	14306024	SCREW	3
25	14303924	SCREW	3
25	14305524	SCREW	3
25	14432224	SCREW	1
25	14433124	SCREW	15
26	11197774	WASHER	28
27	13525770	THREADED INSERT	5

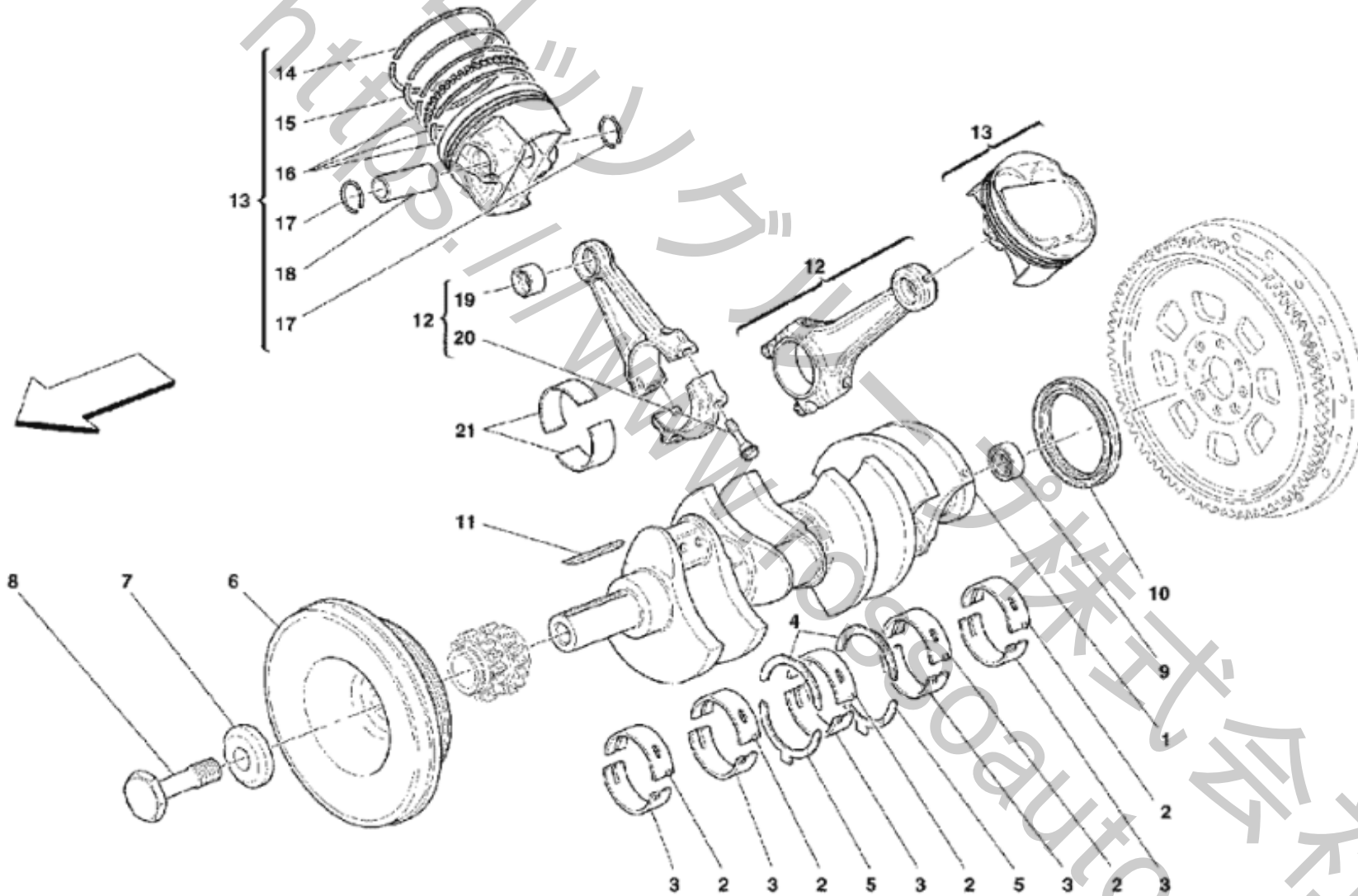
28	175657 PISTONS COOLING NOZZLE	8
29	11181474 WASHER	8
30	14302921 SCREW	8
31	132877 NUT	2
32	12604274 WASHER	2
33	13541624 STUD	2
34	14305424 SCREW	10
34	14305324 SCREW	1
35	10261860 GASKET	1
36	104280 THREADED PLUG	1
37	178348 WASHER	20
38	133988 NUT	20
39	15970634 THREADED PLUG	4
40	11197774 WASHER	11
41	207221 LH ENGINE FIXING SUPPORT	1
41	187740 RH ENGINE FIXING SUPPORT	1
42	11190574 WASHER	8
43	11306934 SCREW	8
44	133988 NUT	8
45	216357 ENGINE PAD	2
46	15970634 SCREW	8
47	12646824 WASHER	8
48	127497 WASHER	8
49	187739 SENSOR FOR FIRING	2
49	219868 R.H. SENSOR FOR FIRING	1
49	219871 L.H. SENSOR FOR FIRING	1
49	187740 SENSOR FOR FIRING	2
49	219869 R.H. SENSOR FOR FIRING	1
49	219870 L.H. SENSOR FOR FIRING	1
50	16043834 SCREW	4
51	11198074 WASHER	4
52	201207 OIL PRESSURE TRANSMITTER	1
53	219872 R.H. SIDE ANGULAR SPEED SENSOR	1
53	219873 L.H. SIDE ANGULAR SPEED SENSOR	1
54	14305724 SCREW	2
55	11197774 WASHER	2
56	217794 WASHER	10
57	194757 STUD	10
57	217796 STUD	10

58	112254	THREADED INSERT	1
58	223577	THREADED INSERT	1
59	187718	BLEEDER PLUG	2
60	10284460	GASKET	2
61	10441590	BRACKET WITH SHEATH	1
62	206672	STUD	2
63	10158801	PLUG	1
64	134704	O.R. GASKET	20
65	191620	REDUCTION	2
66	11369634	SCREW	2
67	12601774	WASHER	2
68	176573	NUT	2
69	182141	RETAINING WASHER	2

<https://www.rossoauto.com>

 株式会社

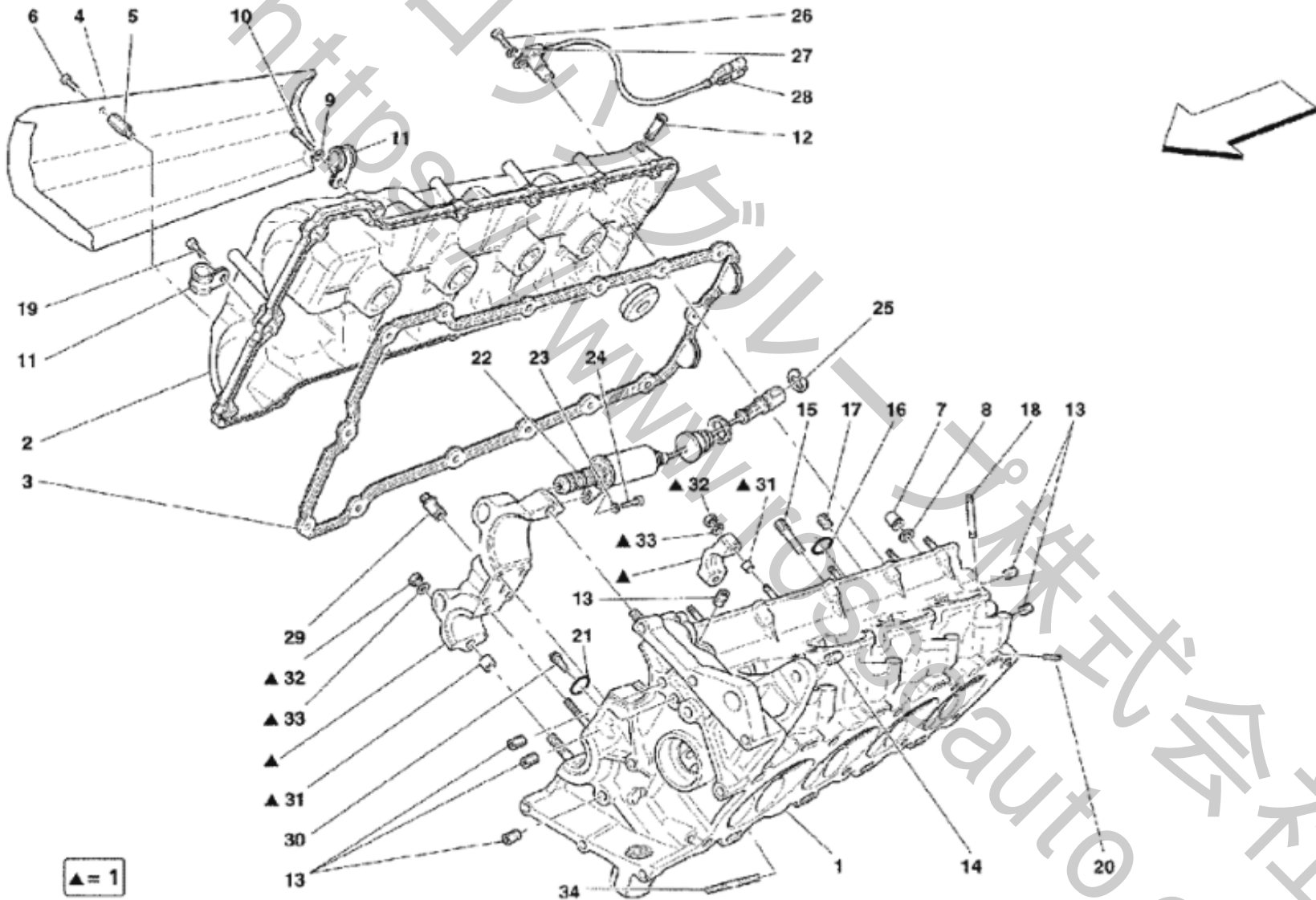
<002 Crankshaft, Conrods And Pistons>



<002 Crankshaft, Conrods And Pistons>

No.	Part No.	Name	Qty
1	196460	CRANKSHAFT	1
2	195307	UPPER HALF BEARING	5
2	198910	UPPER HALF BEARING	5
2	195308	UPPER HALF BEARING	5
3	200194	LOWER HALF BEARING	5
3	200196	LOWER HALF BEARING	5
3	200195	LOWER HALF BEARING	5
4	196648	UPPER SHIM	2
5	196649	LOWER SHIM	2
6	212322	TORSION DAMPER	1
7	192106	WASHER	1
8	196216	SCREW FOR DAMPER FIXING	1
9	103877	BEARING	1
10	200323	SEAL RING	1
11	186201	KEY	1
12	244888	COMPLETE CONNECTING ROD	8
13	210361	LH PISTON WITH RINGS	4
13	210360	RH PISTON WITH RINGS	4
14	175612	SEAL RING	8
15	187201	SEAL RING	8
16	175614	OIL SCRAPING RING	8
17	178890	STOP RING	16
18	175367	PIN	8
19	208094	BUSHING	8
20	215837	CONNECTING ROD TIGHTENING SCREW	16
20	215836	CONNECTING ROD TIGHTENING SCREW	16
20	208095	CONNECTING ROD TIGHTENING SCREW	16
21	204290	CONNECTING ROD HALF BEARING	16
21	204291	CONNECTING ROD HALF BEARING	16
21	204292	CONNECTING ROD HALF BEARING	16

<003 R.H. Cylinder Head>



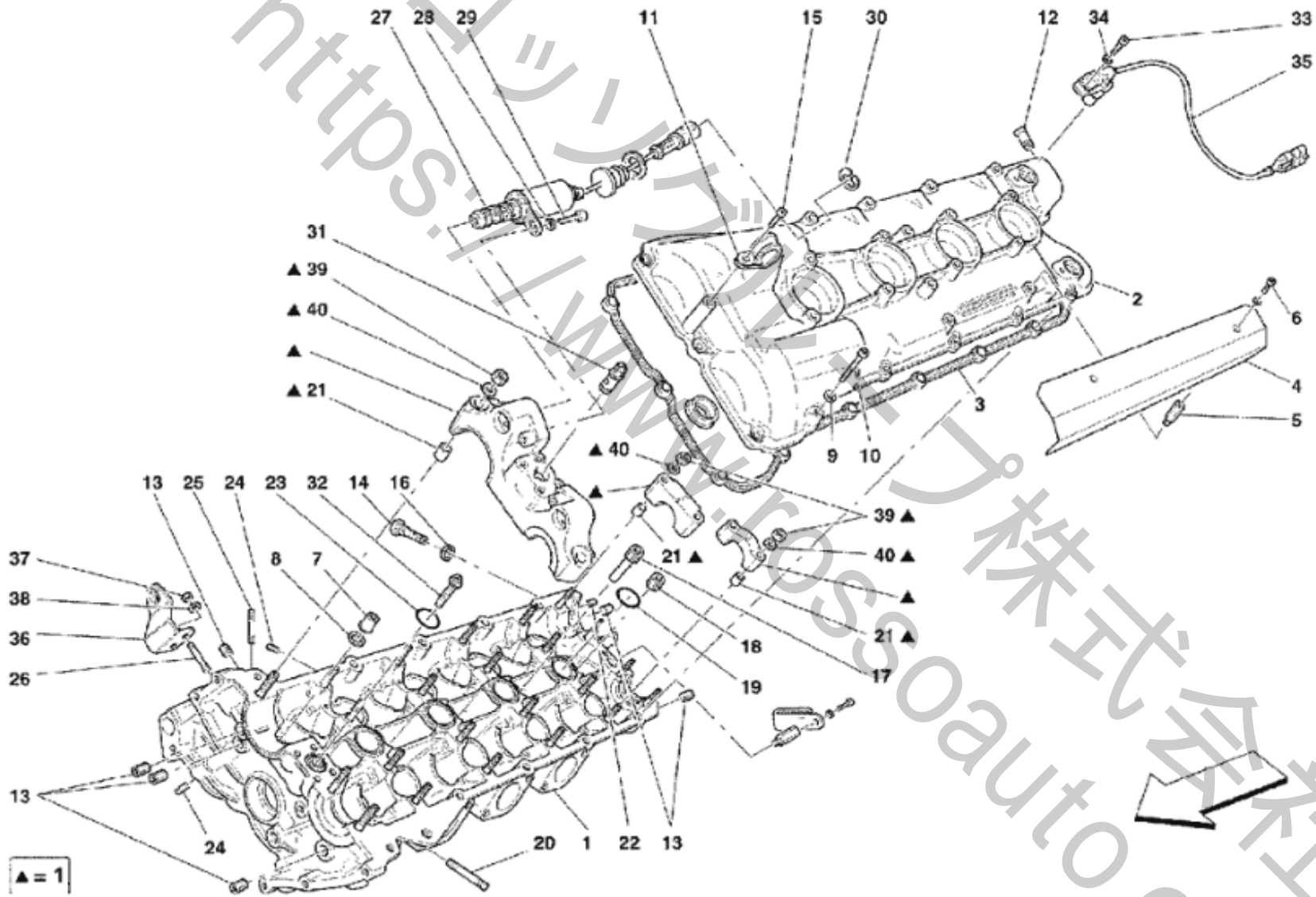
<003 R.H. Cylinder Head>

No.	Part No.	Name	Qty
1	206796	COMPLETE R.H. HEAD	1
1	219172	COMPLETE R.H. HEAD	1
1	227612	COMPLETE R.H. HEAD	1
2	224062	R.H. CYLINDERS HEAD COVER	1
2	221342	R.H. CYLINDERS HEAD COVER	1
3	198927	R.H. HEAD COVER GASKET	1
4	229163	ANTI HEAT SHIELD	1
5	212466	STUD	1
6	14305724	SCREW	1
7	183524	NUT	10
8	151117	WASHER	10
9	11197774	WASHER	14
10	156834	SCREW	14
11	10441490	BRACKET WITH SHEATH	2
12	124342	THREADED UNION	1
13	14326001	THREADED PLUG	6
14	140135	THREADED INSERT	1
15	183447	THREADED PLUG	4
16	187706	GASKET	4
16	223982	GASKET	4
17	164400	THREADED PLUG	1
18	13541334	STUD	8
19	14305124	SCREW	1
20	199760	THREADED PLUG	4
21	134233	GASKET	1
22	250646	VARIATOR CONTROL SOLENOID VALVE	1
22	212422	VARIATOR CONTROL SOLENOID VALVE	1
23	11197774	WASHER	1
24	14433124	SCREW	1
25	11087376	FLEXIBLE RING	1
26	14305224	SCREW	1
27	11197774	WASHER	1
28	219864	R.H. INDUCTION SHAFT PHASE SENSOR	1
28	219865	R.H. EXHAUST SHAFT PHASE SENSOR	1
29	184681	OIL PRESSURE CHECK VALVE	1
30	241406	OIL FILTER	1

31	102725 CENTERING DOWEL	22
32	15896211 NUT	22
33	11197774 WASHER	22
34	211641 STUD	8
35	220239 PLUG	1
36	220245 GASKET	1

ロッシェオ自動車株式会社
<https://www.rossoauto.com>

<004 L.H. Cylinder Head>



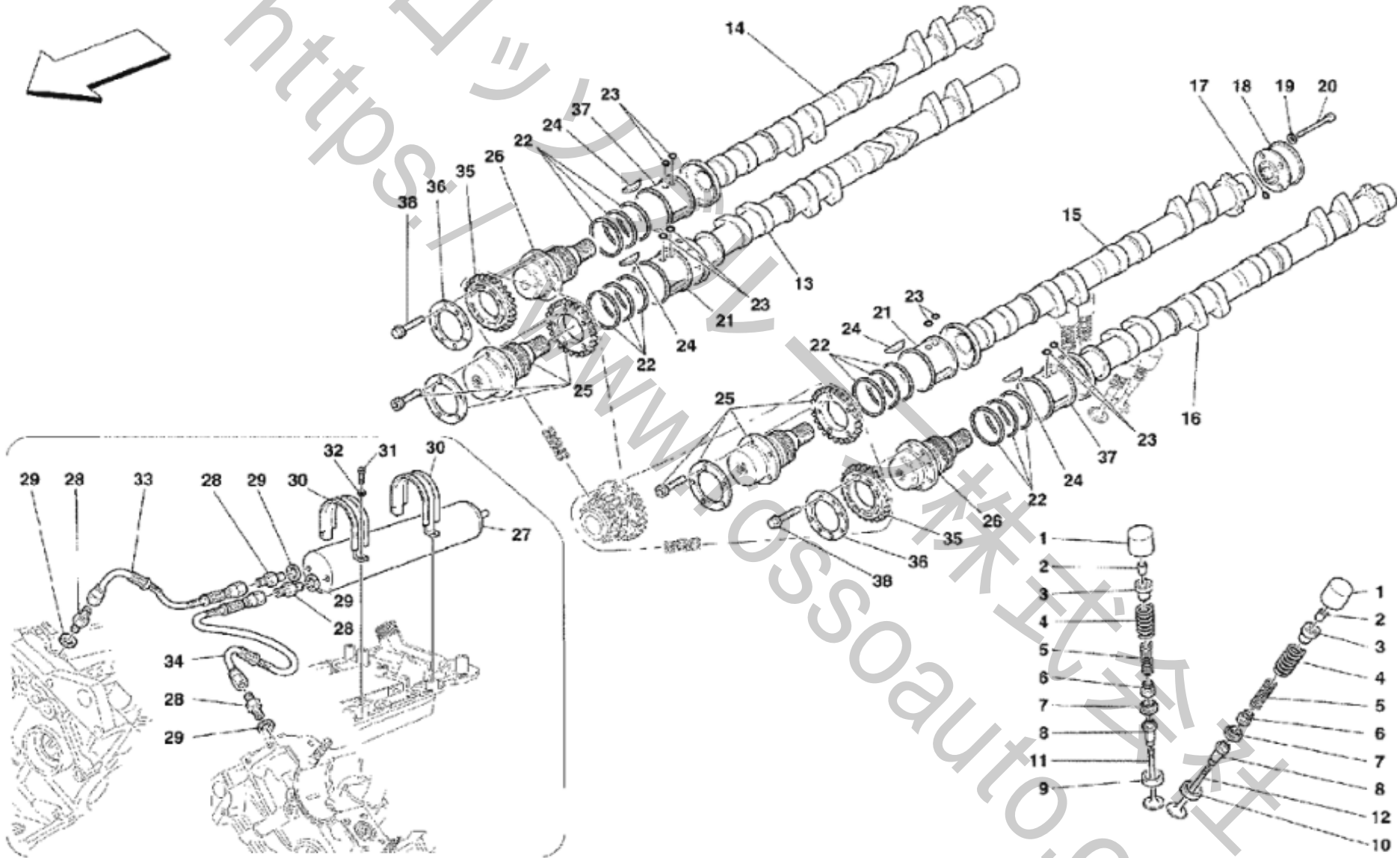
<004 L.H. Cylinder Head>

No.	Part No.	Name	Qty
1	206797	COMPLETE L.H. HEAD	1
1	219173	COMPLETE L.H. HEAD	1
1	227614	COMPLETE L.H. HEAD	1
2	224063	L.H. CYLINDERS HEAD COVER	1
2	221341	L.H. CYLINDERS HEAD COVER	1
3	198928	L.H. HEAD COVER GASKET	1
4	229163	ANTI HEAT SHIELD	1
5	212466	STUD	1
6	14305724	SCREW	1
7	183524	NUT	10
8	151117	WASHER	10
9	11197774	WASHER	14
10	156834	SCREW	14
11	10441490	BRACKET WITH SHEATH	2
12	124342	THREADED UNION	1
13	14326001	THREADED PLUG	6
14	180267	OIL NONRETURN VALVE	1
15	14305124	SCREW	1
16	10261060	GASKET	1
17	183447	THREADED PLUG	4
18	164400	THREADED PLUG	1
19	187706	GASKET	4
19	223982	GASKET	4
20	211641	STUD	8
21	102725	CENTERING DOWEL	22
22	14326101	THREADED PLUG	1
23	134233	O.R. GASKET	1
24	199760	THREADED PLUG	4
25	13541224	STUD	8
26	13516624	STUD	2
27	250646	VARIATOR CONTROL SOLENOID VALVE	1
28	11197774	WASHER	1
29	14433124	SCREW	1
30	11087376	FLEXIBLE RING	1
31	184681	OIL PRESSURE CHECK VALVE	1
32	241406	OIL FILTER	1

33	14305224	SCREW	1
34	11197774	WASHER	1
35	219866	L.H. INDUCTION SHAFT PHASE SENSOR	1
35	219867	L.H. EXHAUST SHAFT PHASE SENSOR	1
36	207422	BRACKET	1
37	16100814	NUT	2
38	11193874	WASHER	2
39	15896211	NUT	22
40	11197774	WASHER	22
41	220239	PLUG	1
42	220245	GASKET	1

<https://www.rossoauto.com> 株式会社

<005 Timing - Tappets>



<005 Timing - Tappets>

No.	Part No.	Name	Qty
1	194700	TAPPET FOR VALVE CONTROL	32
2	179763	COTTER FOR VALVE SPRING	64
3	194713	UPPER CUP	32
4	197900	OUTER SPRING FOR VALVE RETURN	32
5	197901	INNER SPRING FOR VALVE RETURN	32
6	148153	OIL RING	32
6	221473	OIL RING	32
7	194718	LOWER CUP	32
8	176437	INTAKE VALVE GUIDE	32
9	175381	INTAKE VALVE SEAT	16
10	179959	EXHAUST VALVE SEAT	16
12	189351	EXHAUST VALVE	16
13	211414	R.H. INDUCTION DISTRIBUTION CAM SHAFT	1
14	211416	R.H. EXHAUST CAM SHAFT	1
15	211415	L.H. INDUCTION DISTRIBUTION CAM SHAFT	1
16	211418	L.H. EXHAUST CAM SHAFT	1
17	134701	O.R. GASKET	2
18	197558	OIL PUMP VARIATOR	1
19	184731	WASHER	4
20	14303623	SCREW	4
21	206804	INDUCTION PHASE VARIATOR SUPPORTNG BUSHING	2
22	179926	RING	12
23	134701	O.R. GASKET	4
24	10618120	KEY	4
25	193779	INDUCTION PHASE VARIATOR	2
26	199438	EXHAUST PHASE VARIATOR	2
27	197062	OIL ACCUMULATOR FOR VARIATOR	1
28	195056	THREADED UNION	4
29	10261060	GASKET	4
30	197151	BRACKET	2
31	14305124	SCREW	4
32	11197774	WASHER	4
33	198463	PIPE FROM ACCUMULATOR TO R.H. CYLINDERS HEAD	1
34	198464	PIPE FROM ACCUMULATOR TO L.H. CYLINDERS HEAD	1
35	194192	TOOTHED WHEEL	2
36	195649	WASHER	2

37 206805 EXHAUST PHASE VARIATOR SUPPORTNG BUSHING

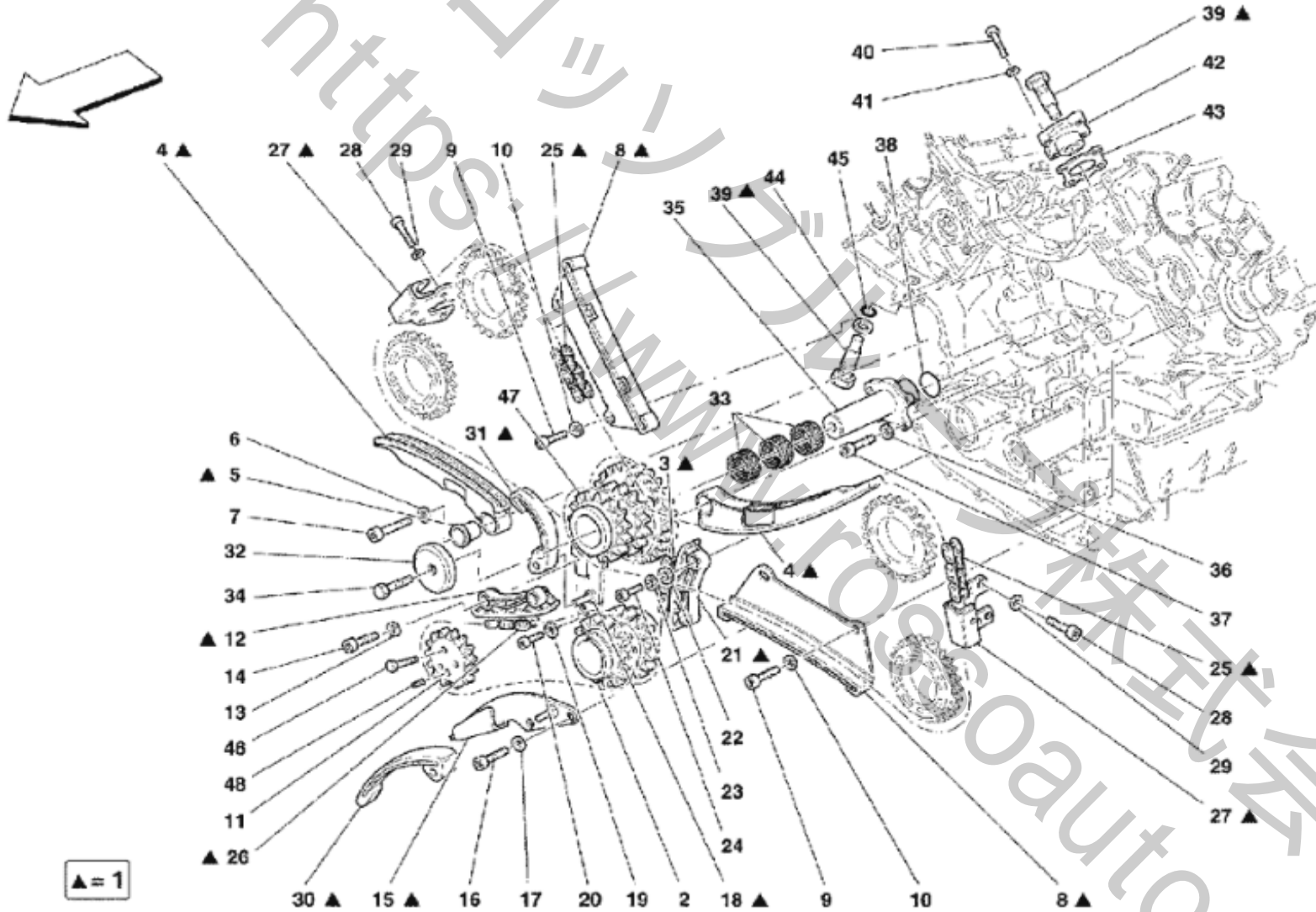
2

38 194977 SCREW

16

ロッシェ自動車株式会社
<https://www.rossoauto.com>

<006 Timing - Controls>



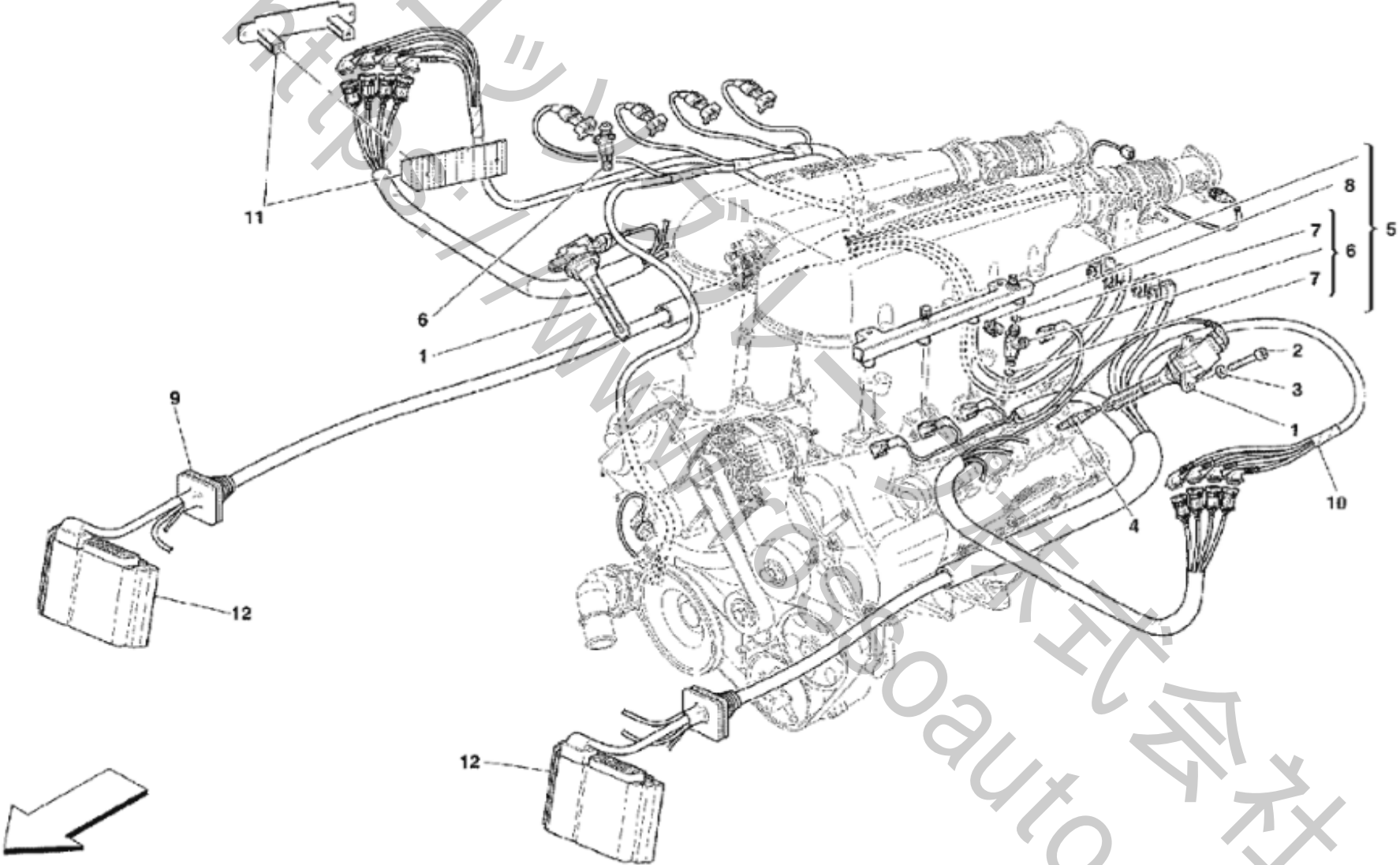
<006 Timing - Controls>

No.	Part No.	Name	Qty
1	197879	TIMING CONTROL ASSEMBLY	1
2	186854	ENGINE SHAFT TOOTHED WHEEL	1
3	175286	TRANSMISSION CHAIN	1
4	186184	MOBILE GUIDE SHOE	2
5	175303	BUSHING	2
6	10569373	WASHER	2
7	14306424	SCREW	2
8	186185	FIXED TENSION	2
9	14306224	SCREW	4
10	11193874	WASHER	4
11	189564	PUMP CONTROM TOOTHED WHEEL	1
12	186186	FIXED TENSION	1
13	11197774	WASHER	2
14	14305424	SCREW	2
15	185724	GUIDE SHOE SUPPORT	1
16	14305724	SCREW	2
17	11197774	WASHER	2
18	186159	GUIDE SHOE SUPPORT	1
19	11197774	WASHER	2
20	14305724	SCREW	2
21	186181	FIXED TENSION	1
22	12647624	WASHER	2
23	11197774	WASHER	2
24	14432224	SCREW	2
25	193616	TIMING CONTROL CHAIN	2
26	175314	CHAIN	1
27	189569	UPPER FIXED TENSION	2
28	14305934	SCREW	8
29	11197774	WASHER	8
30	185725	CHAIN TENSIONER	1
31	196683	CHAIN TENSIONER	1
32	194262	SHOULDER	1
33	175282	ROLLER CAGE	3
34	16043124	SCREW	1
35	194261	SUPPORT	1
36	11181574	WASHER	4

37	14304224	SCREW	4
38	104212	O.R. GASKET	1
39	197880	HYDRAULIC TIGHTENER	2
40	14432224	SCREW	4
41	11197774	WASHER	4
42	190060	BUSHING FOR TIGHTENER	1
43	247147	GASKET	1
44	190171	SPACER	1
45	192069	O.R. GASKET	1
46	189563	SCREW	3
47	193565	TRANSMISSION TOOTHED WHEEL	1
48	189779	DOWEL	1

<https://www.rossoauto.com> 株式会社

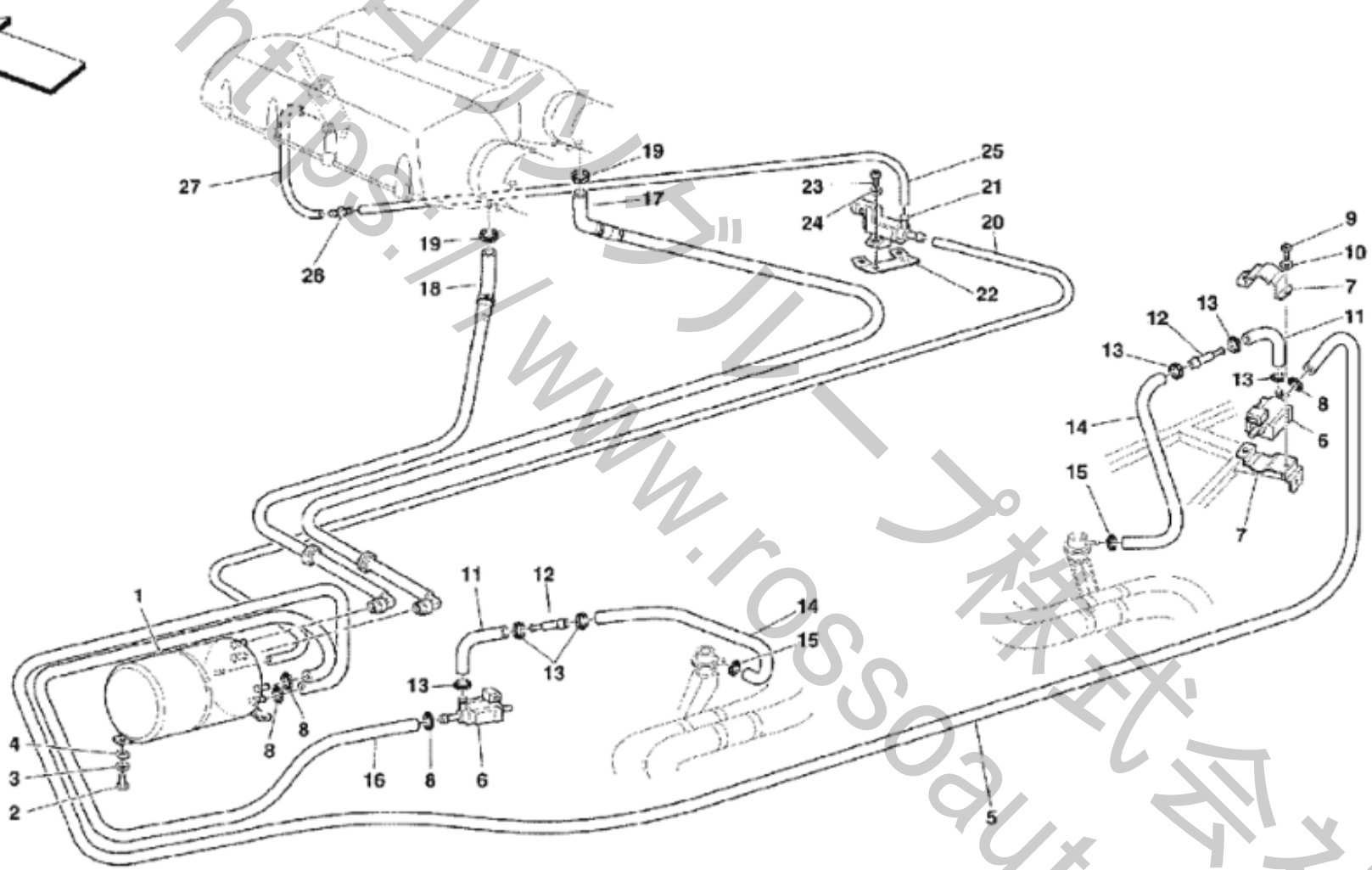
<007 Injection Device - Ignition>



<007 Injection Device - Ignition>

No.	Part No.	Name	Qty
1	186914	SINGOL IGNITION COIL	4
1	188504	SINGOL IGNITION COIL	4
1	281449	SINGOL IGNITION COIL	8
2	201599	SCREW	16
3	11197774	WASHER	16
4	192637	SPARK PLUG	8
5	191390	L.H. COMPLETE FUEL TUBE WITH ELECTRO INJECTORS	1
5	191392	R.H. COMPLETE FUEL TUBE WITH ELECTRO INJECTORS	1
6	191393	ELECTRO INJECTOR	8
7	133902	GASKET	4
8	144730	INJECTORS RETAINING CLIP	8
9	215268	R.H. SIDE INJECTION CONNECTING CABLES	1
10	215269	L.H. SIDE INJECTION CONNECTING CABLES	1
11	201733	L.H. REAR PANEL	1
11	201732	R.H. REAR PANEL	1
12	218064	CONTROL UNIT IGNITION	1
12	218065	CONTROL UNIT IGNITION (Not F1)	1

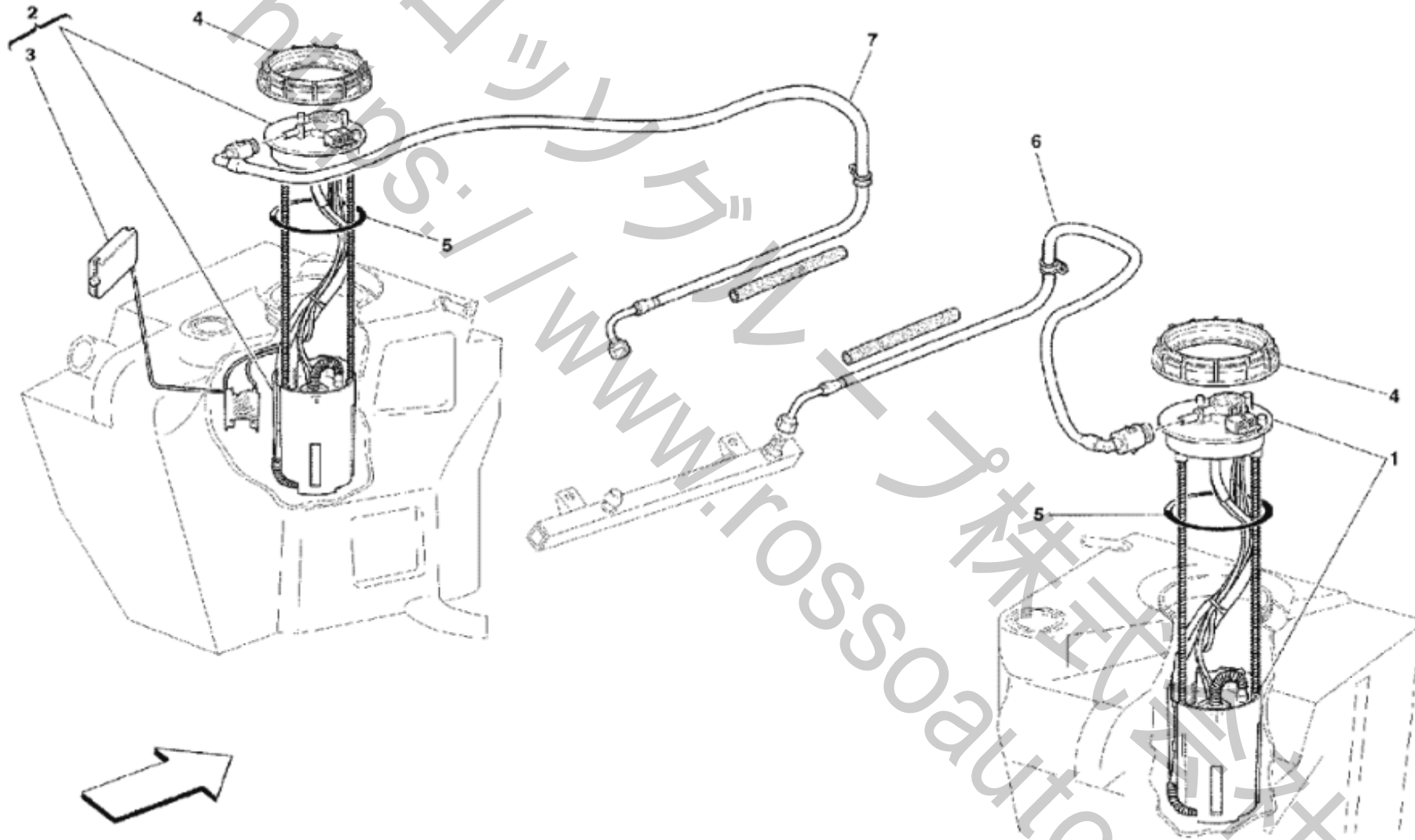
<008 Pneumatics Actuator System>



<008 Pneumatics Actuator System>

No.	Part No.	Name	Qty
1	207624	DEPRESSION ACCUMULATION TANK	1
2	10902224	SCREW	3
3	12601274	WASHER	3
4	12639724	WASHER	3
5	210352	PIPE FROM TANK TO R.H. SOLENOID VALVE	1
6	178309	SOLENOID VALVE	2
7	178515	SOLENOID VALVE SUPPORT	2
8	13432170	COLLAR FOR SLEEVE	4
9	14302924	SCREW	4
10	127492	WASHER	4
11	178552	RUBBER HOSE	2
12	178369	UNION	2
13	13432270	COLLAR FOR SLEEVE	6
14	147121	RUBBER HOSE	2
15	171406	COLLAR FOR SLEEVE	2
16	210351	PIPE FROM TANK TO L.H. SOLENOID VALVE	1
17	222112	COMPLETE R.H. DEPRESSION PIPE	1
18	222114	COMPLETE L.H. DEPRESSION PIPE	1
19	13432070	COLLAR FOR SLEEVE	2
20	124406	PIPE FROM TANK TO SOLENOID VALVE	1
21	184363	SOLENOID VALVE	1
22	200111	BRACKET	1
23	14304124	SCREW	2
24	12544174	WASHER	2
25	118502	PIPE FROM SOLENOID VALVE TO UNION	1
26	178491	UNION	1
27	168248	PIPE FROM UNION TO ACTUATOR	1

<009 Fuel Pumps and Pipes>

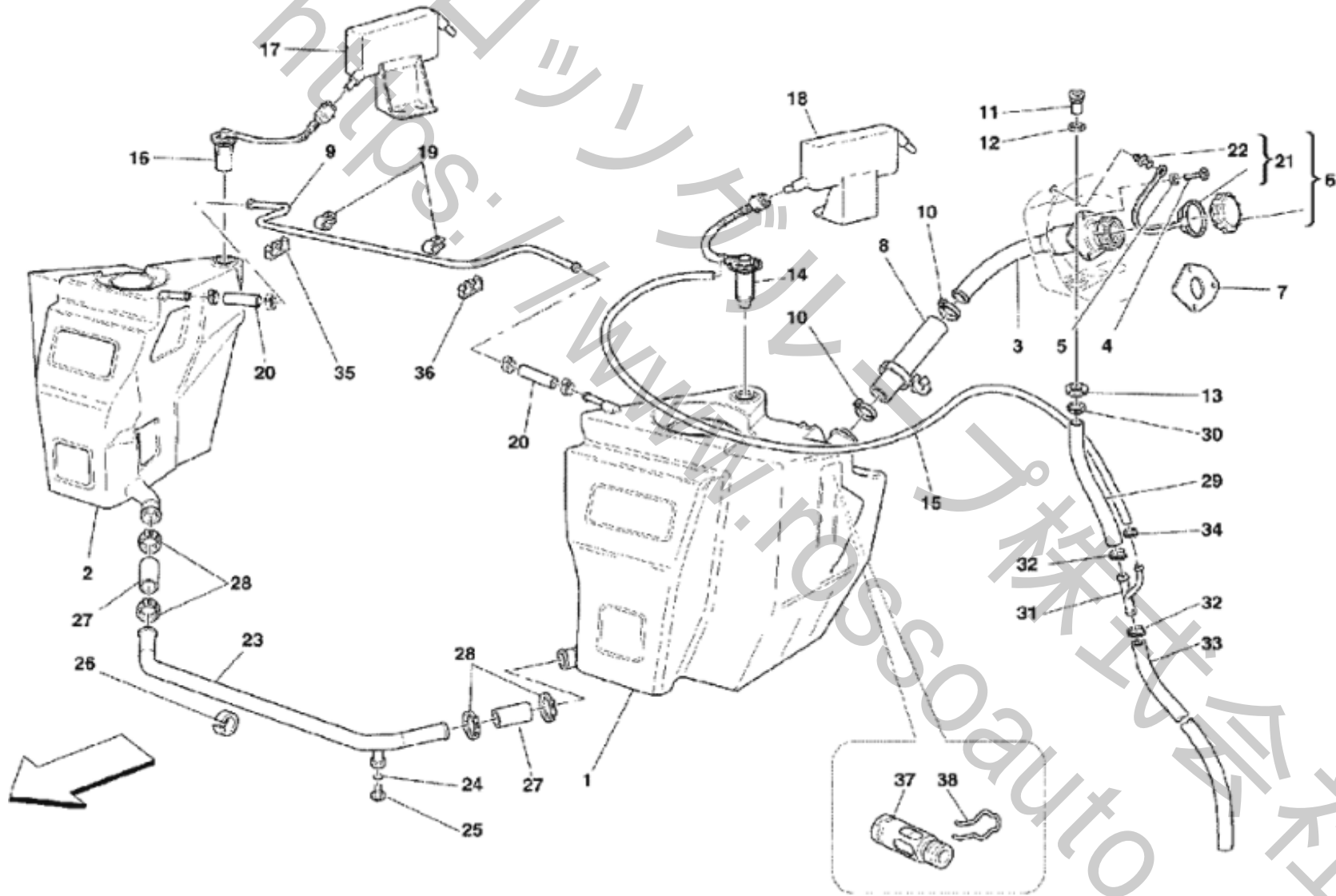


<009 Fuel Pumps and Pipes>

No.	Part No.	Name	Qty
1	180477	R.H. COMPLETE FUEL PUMP	1
1	239811	R.H. COMPLETE FUEL PUMP	1
2	239812	L.H. COMPLETE FUEL PUMP AND FUEL LEVEL INDICATOR	1
3	196124	FUEL LEVEL INDICATOR	1
4	181682	RING NUT	2
5	181681	GASKET	2
6	213720	R.H. CONNECTION PIPE	1
7	213719	L.H. CONNECTION PIPE	1

<https://www.rossoauto.com> 株式会社

<010 Fuel Tanks and Union>



<010 Fuel Tanks and Union>

No.	Part No.	Name	Qty
1	194347	L.H. FUEL TANK	1
2	194346	R.H. FUEL TANK	1
3	203516	UNION	1
4	64686900	SCREW	3
5	10615474	WASHER	3
6	190469	COMPLETE PLUG	1
7	172899	GASKET	1
8	198481	UNION TANK CONNECTING PIPE	1
9	179474	TANKS AIR BELL CONNECTION PIPE	1
10	170127	ELASTIC COLLAR	2
11	64872000	SLEEVE	1
12	65064500	GASKET	1
13	104919	RING NUT	1
14	192890	L.H. VALVE WITH PIPE	1
15	211283	RUBBER HOSE	1
16	192891	R.H. VALVE WITH PIPE	1
17	198450	R.H. DISAREATOR	1
18	191079	L.H. DISAREATOR	1
19	141699	CLIP	2
20	181024	SLEEVE	2
21	196949	COMPLETE RING	1
22	186172	RETAINER	1
23	203788	TANKS CONNECTION PIPE	1
24	123622	GASKET	1
25	148045	THREADED PLUG	1
26	177437	RUBBER THICKNESS	6
27	196299	RUBBER HOSE	2
28	180957	SCREW COLLAR	4
29	213294	PIPE FROM PAN TO 3 WAY	1
30	177553	CLAMP	1
31	195439	3 WAY UNION	1
32	178052	CLAMP	2
33	213295	PIPE FROM 3 WAY TO BOTTOM	1
34	13432270	ELASTIC COLLAR	1
35	180968	FLEXIBLE CLIP	1
36	180969	FLEXIBLE CLIP	1

37 181929 ON OFF VALVE

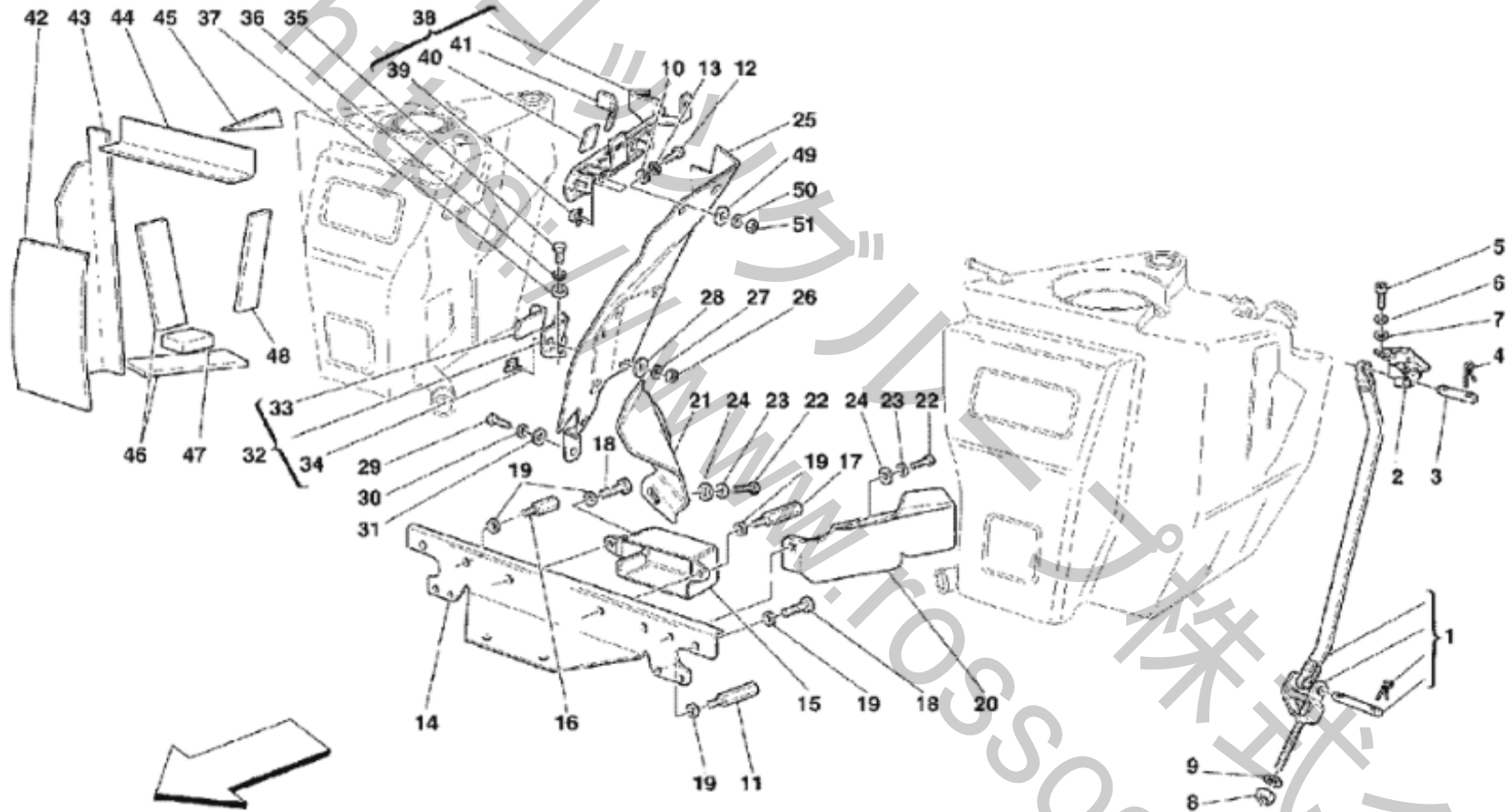
1

38 181930 CLIP

1

ロッシェ自動車株式会社
<https://www.rossoauto.com>

<011 Fuel Tanks - Fixing and Protection>



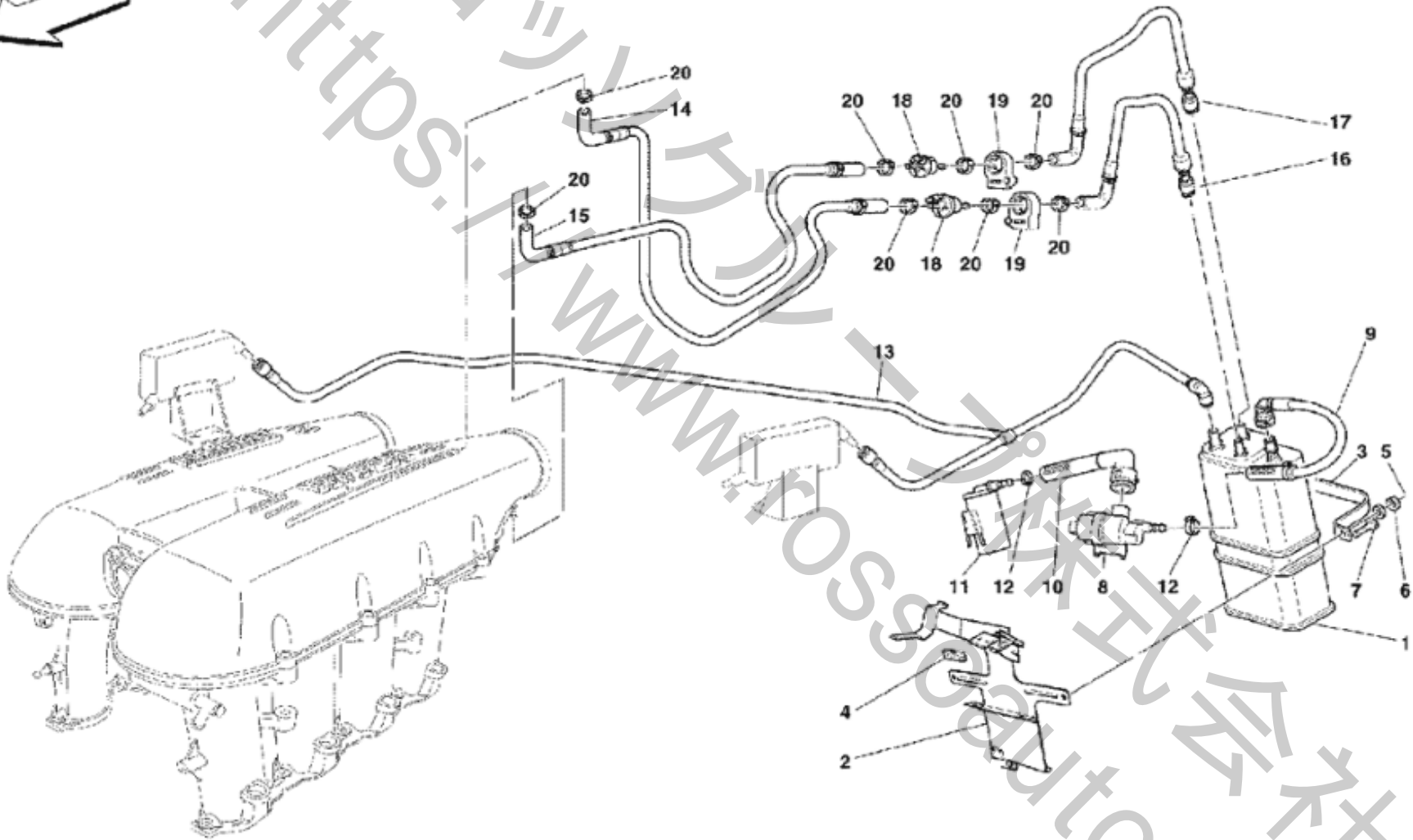
株式会社 SOauto.com

<011 Fuel Tanks - Fixing and Protection>

No.	Part No.	Name	Qty
1	180348	FUEL TANK FASTENER	2
2	175768	L.H. BRACKET	1
2	174445	R.H. BRACKET	1
3	103447	PIN	2
4	10796440	SPLIT PIN	4
5	14305324	SCREW	6
6	12605374	WASHER	6
7	10519424	WASHER	6
8	104030	NUT	2
9	14496524	WASHER	2
10	12647624	WASHER	2
11	182363	STUD	1
12	10902424	SCREW	2
13	12605374	WASHER	2
14	198222	PROTECTION PLATE	1
15	186045	FRAME	1
16	178772	STUD	3
17	179242	STUD	1
18	10902421	SCREW	7
19	13550221	WASHER	10
20	180233	LOWER L.H. ANTI HEAT SHIELD	1
21	188471	LOWER R.H. ANTI HEAT SHIELD	1
22	10902424	SCREW	4
23	12605374	WASHER	4
24	14499324	WASHER	4
25	208492	L.H. ANTI HEAT SHIELD	1
25	208493	R.H. ANTI-HEAT SHIELD	1
26	15896214	NUT	2
27	12605374	WASHER	2
28	12644424	WASHER	2
29	10902424	SCREW	4
30	12605374	WASHER	4
31	14499324	WASHER	4
32	177774	LOWER BRACKET FOR L.H. TANK FIXING	1
32	177775	LOWER BRACKET FOR R.H. TANK FIXING	1
33	177772	L.H. RUBBER THICKNESS	1

33	177773 R.H. RUBBER THICKNESS	1
34	14664790 SCREW WITH CAGE	2
35	10902424 SCREW	4
36	12605374 WASHER	4
37	12647624 WASHER	4
38	216425 BRACKET FOR L.H. TANK FIXING	1
38	183186 BRACKET FOR R.H. TANK FIXING	1
39	14664790 SCREW WITH CAGE	4
40	177769 RUBBER THICKNESS	4
41	177768 RUBBER THICKNESS	2
42	177752 RUBBER THICKNESS	2
43	181192 L.H. RUBBER THICKNESS	1
43	181191 R.H. RUBBER THICKNESS	1
44	181377 RUBBER THICKNESS	2
45	177763 L.H. RUBBER THICKNESS	1
45	177753 R.H. RUBBER THICKNESS	1
46	177749 RUBBER THICKNESS	4
47	177748 RUBBER THICKNESS	2
48	159147 RUBBER THICKNESS	2
49	10519424 WASHER	1
50	12644424 WASHER	2
51	102741 NUT	2

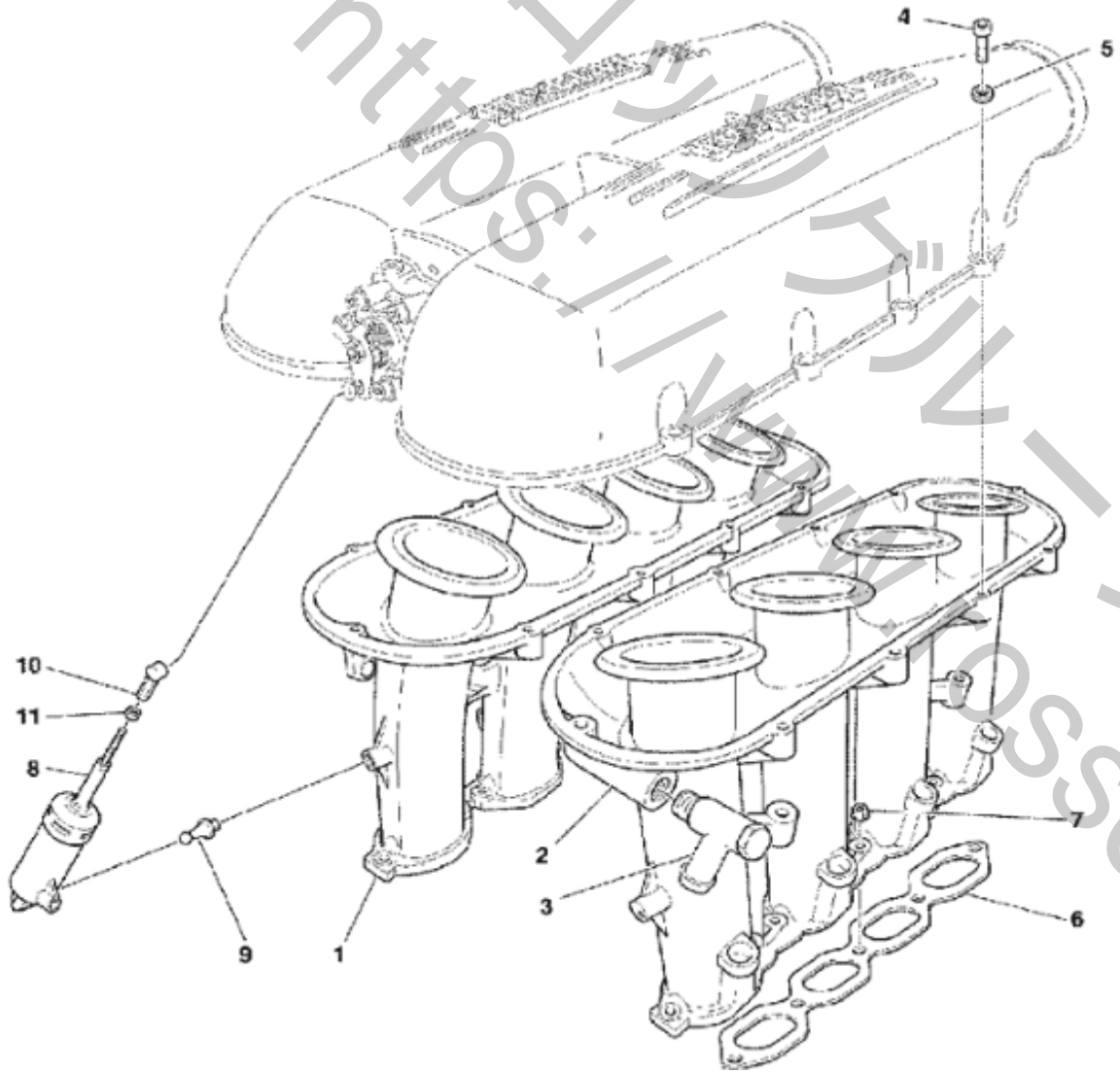
<012 Antievaporation Device>



<012 Antievaporation Device>

No.	Part No.	Name	Qty
1	219311	FUEL VAPOR FILTER	1
2	209663	FILTER FIXING BRACKET	1
3	209663	BRACKET	1
4	180638	RUBBER THICKNESS	2
5	10902124	SCREW	2
6	12639724	WASHER	2
7	127494	WASHER	2
8	251288	DIAGNOSIS PUMP	1
9	210789	COMPLETE TUBE WITH UNION	1
10	195288	COMPLETE TUBE WITH UNION	1
11	183221	FILTER FOR OBD PUMP	1
12	13000390	SCREW COLLAR	2
13	193852	TUBE FROM R.H. DISAREATOR TO L.H. DISAREATOR	1
14	197689	COMPLETE R.H. TUBE WITH UNIONS	1
15	197688	COMPLETE L.H. TUBE WITH UNIONS	1
16	243911	PIPE FROM FILTER TO R.H. WASHING VALVE	1
17	243912	PIPE FROM FILTER TO L.H. WASHING VALVE	1
18	162412	WASHING VALVE	2
19	174623	BUFFER FOR SUPPORT	2
20	13432070	COLLAR FOR SLEEVE	8
21	217919	COMPLETE TUBE	1
22	220981	AIR INTAKE TUBE	1

<013 Air Intake Manifold>

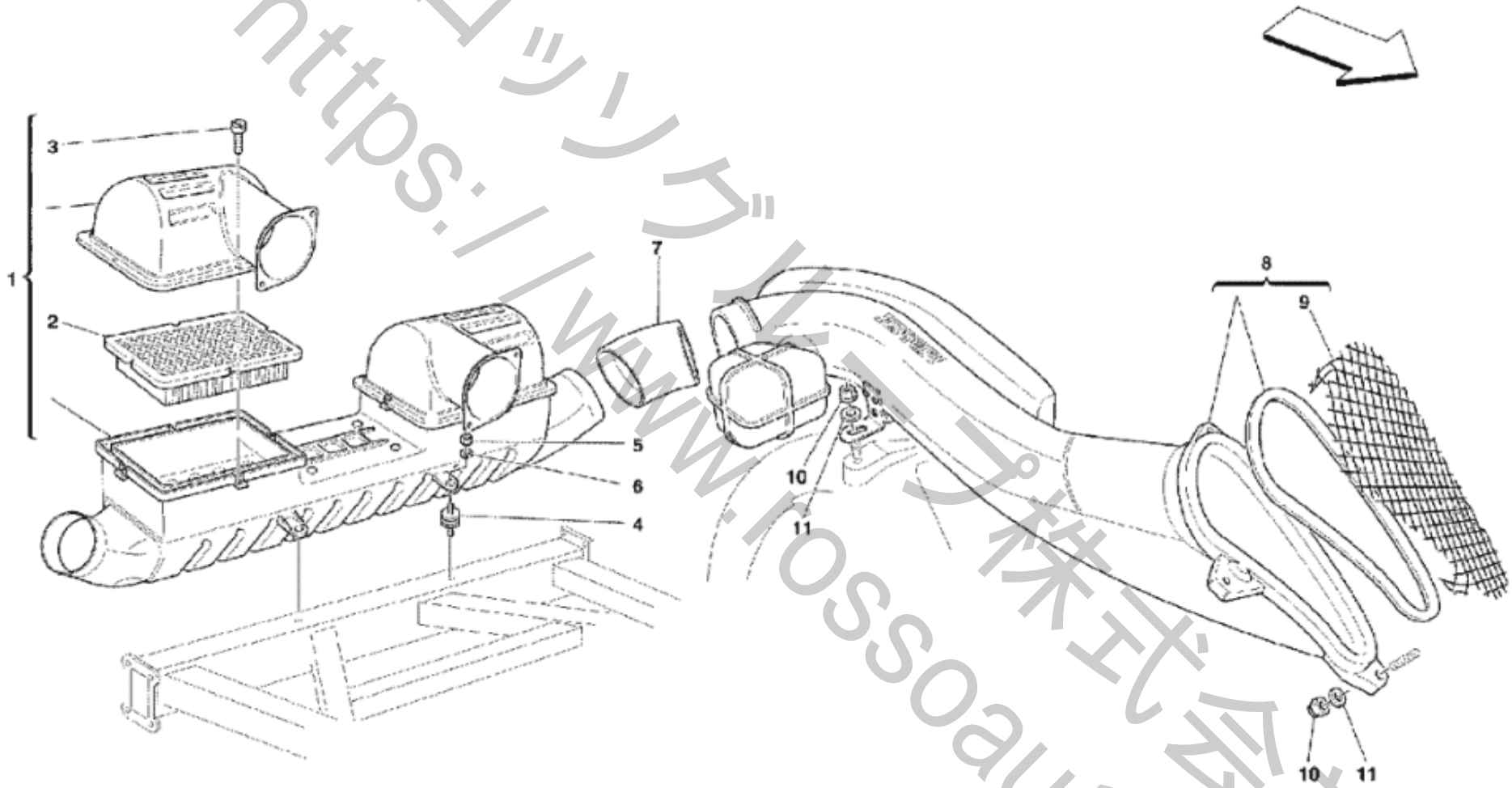


<013 Air Intake Manifold>

No.	Part No.	Name	Qty
1	197755	R.H. SUCTION MANIFOLD	1
2	197756	L.H. SUCTION MANIFOLD	1
3	124342	UNION	1
4	14305424	SCREW	8
4	14305824	SCREW	4
4	14309224	SCREW	8
5	11197774	WASHER	20
6	233974	GASKET	2
6	322509	GASKET	2
7	159601	NUT	16
8	173594	ACTUATOR	1
9	191230	PIN	1
10	184532	END	1
11	15896211	NUT	1

<https://www.rossoauto.com> 株式会社

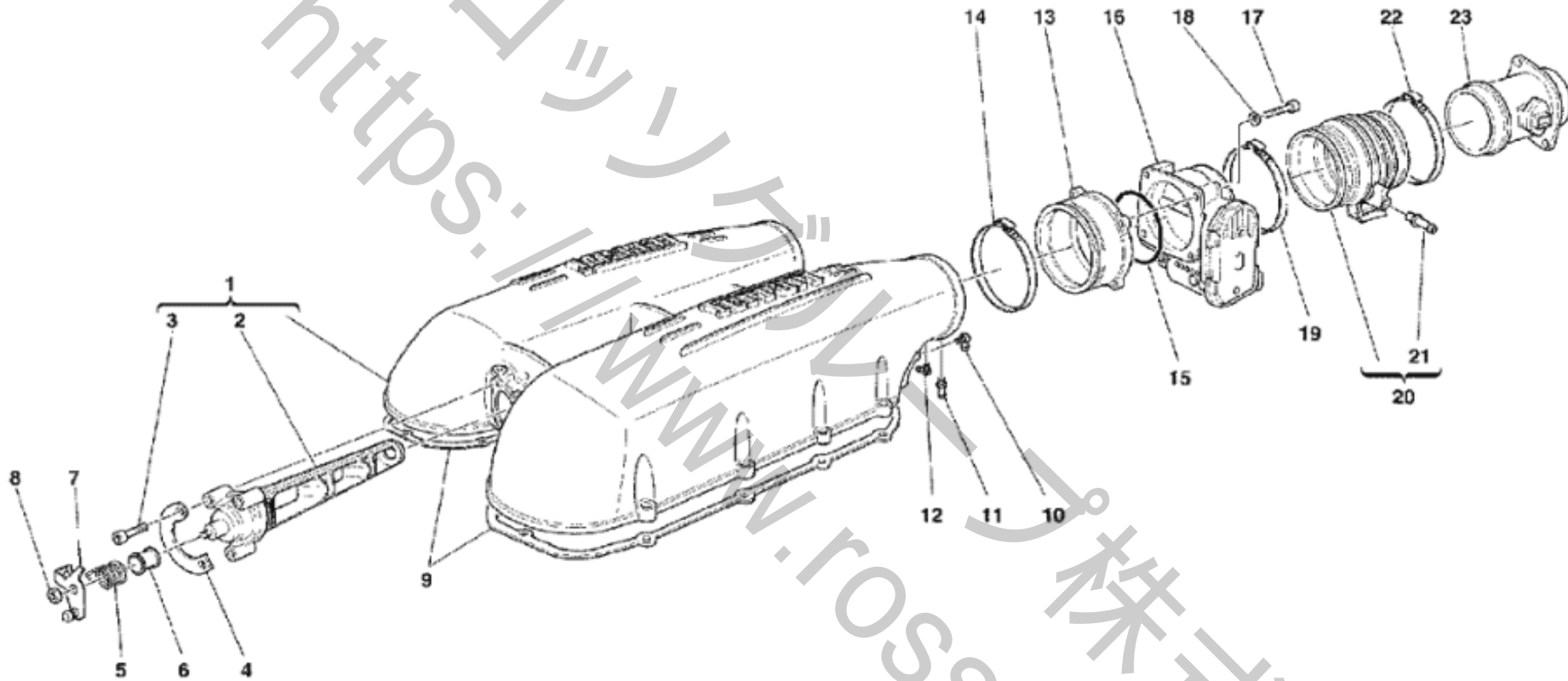
<014 Air Intake>



<014 Air Intake>

No.	Part No.	Name	Qty
1	191204	COMPLETE FILTER BOX	1
1	212208	COMPLETE FILTER BOX	1
2	191206	AIR FILTER	2
3	157757	SCREW	8
4	142202	PAD	4
5	15896214	NUT	4
6	12643724	WASHER	4
7	207497	SLEEVE	1
8	226059	L.H. AIR INLET	1
8	226061	L.H. AIR INLET	1
8	226058	R.H. AIR INLET	1
8	226060	R.H. AIR INLET	1
9	211968	COMPLETE GRILL	2
10	113647	NUT	8
11	14496324	WASHER	8
12	69487300	L.H. GASKET	1
12	69487200	R.H. GASKET	1

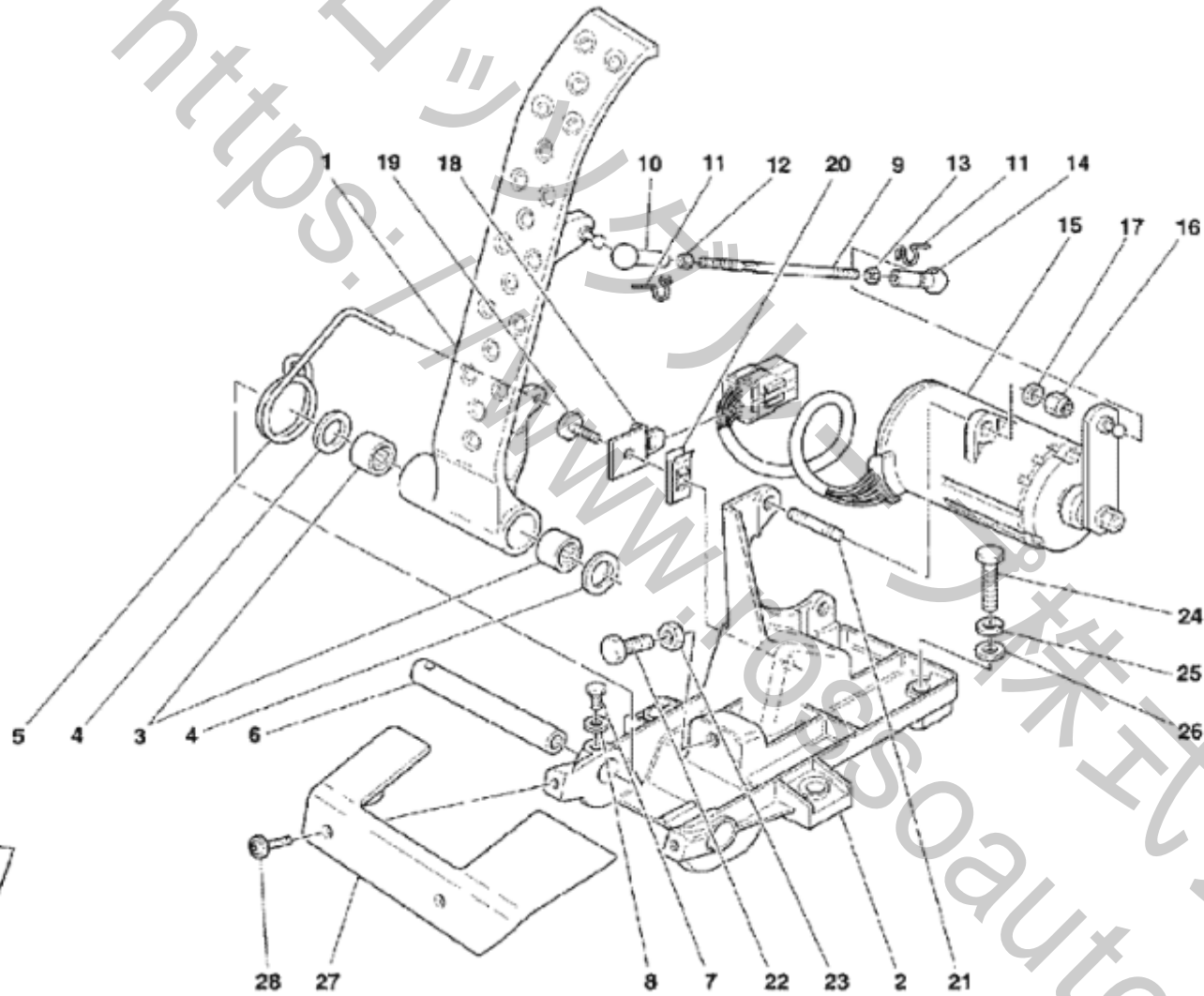
<015 Air Intake Manifold Cover>



<015 Air Intake Manifold Cover>

No.	Part No.	Name	Qty
1	214959	SUCTION MANIFOLD COVER	1
1	219461	SUCTION MANIFOLD COVER	1
1	255334	SUCTION MANIFOLD COVER	1
2	215068	ROLLING DRUM	1
2	220668	ROLLING DRUM	1
3	14305624	SCREW	3
4	204873	SAFETY PLATE	1
5	197761	SPRING	1
6	205123	BUSHING	1
7	203401	DRUM CONTROL LEVER	1
8	177613	NUT	1
8	212945	NUT	1
9	217471	GASKET	2
10	174818	UNION	2
11	268878	UNION	2
12	128016	UNION	2
13	240262	SPACER	2
14	190151	CLAMP	2
15	150302	O.R. GASKET	2
16	179912	THROTTLE HOLDER	2
17	14305924	SCREW	8
18	12639724	WASHER	8
19	180046	CLAMP	2
20	205095	L.H. SLEEVE	1
20	201572	L.H. SLEEVE	1
20	205092	R.H. SLEEVE	1
20	201570	R.H. SLEEVE	1
21	209132	UNION	2
21	214932	AESTHETIC SMALL COVER	1
21	218327	AESTHETIC SMALL COVER	1
22	177981	CLAMP	2
23	181120	AIR FLOW METER	2
24	16285127	SCREW	2
25	210157	PLUG	1

<016 Electronic Accelerator Pedal>

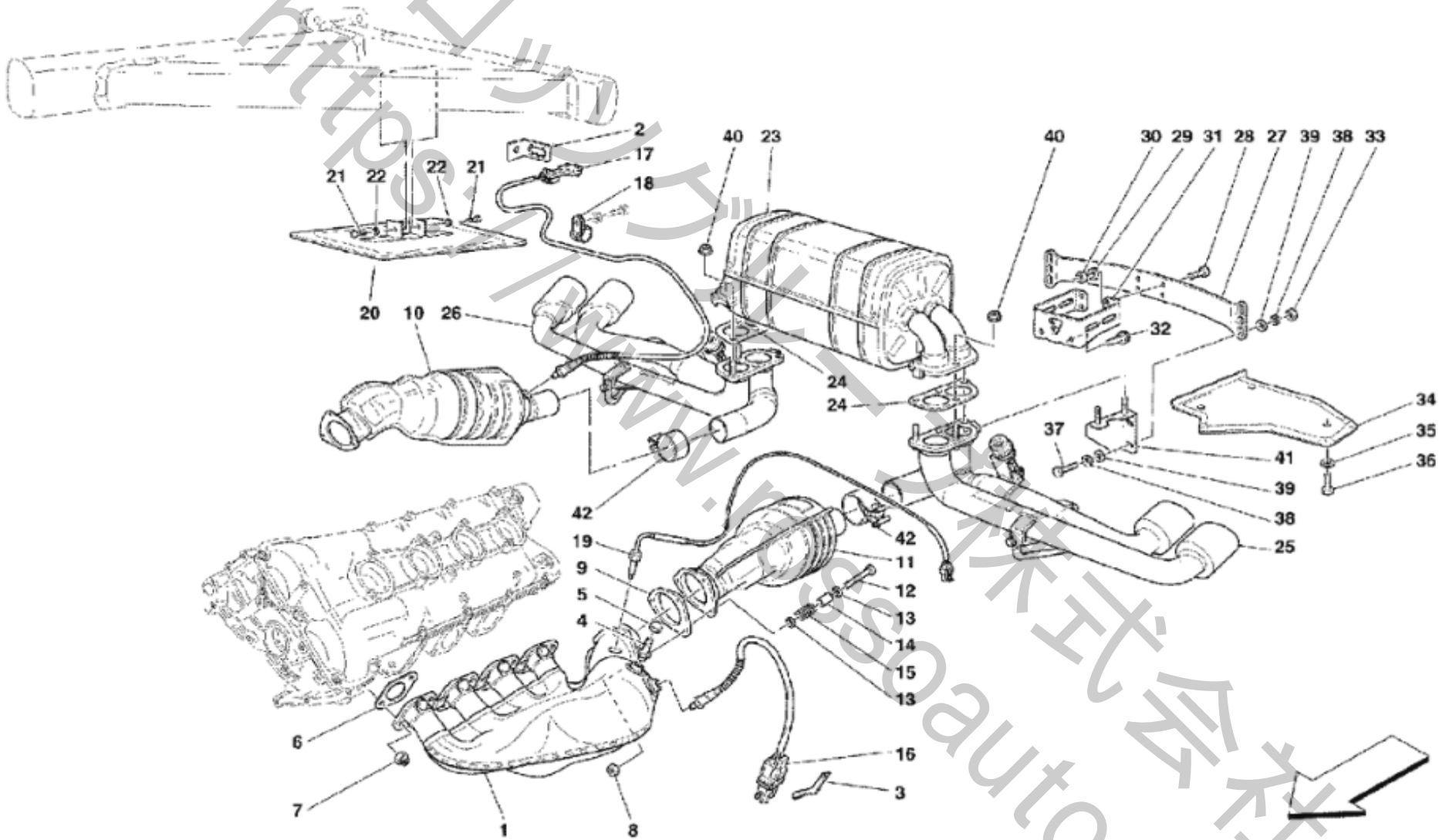


<http://www.auto.com>

<016 Electronic Accelerator Pedal>

No.	Part No.	Name	Qty
1	196180	ACCELERATOR PEDAL	1
2	185452	ACCELERATOR PEDAL SUPPORT	1
3	101677	ROLLER BEARING	2
4	157115	WASHER	2
5	175351	RETUTN SPRING FOR PEDAL	1
6	171468	ROLLER CAGE RACE	1
7	10977524	SCREW	1
8	12601174	WASHER	1
9	171466	PUSH ROD	1
9	181258	PUSH ROD	1
10	173999	BALL JOINT HEAD	1
11	174001	CLIP	2
12	15896470	NUT	1
13	105586	L.H. THREADED NUT	1
14	174000	BALL JOINT HEAD	1
15	170038	ACCELERATOR PEDAL POTENTIOMETER	1
16	102948	NUT	2
17	10519424	WASHER	2
18	170925	BRACKET FOR CONNECTOR FIXING	1
19	14071911	SCREW	1
20	14371274	BRACKET	1
21	11500324	STUD	2
22	16043621	SCREW	1
23	16102314	NUT	1
24	10902624	SCREW	3
25	127494	WASHER	3
26	14496424	WASHER	3
27	65709100	ACCELERATOR PEDAL COVER	1
27	69059100	ACCELERATOR PEDAL COVER	1
28	65752800	SCREW	2

<017 Racing Exhaust System>

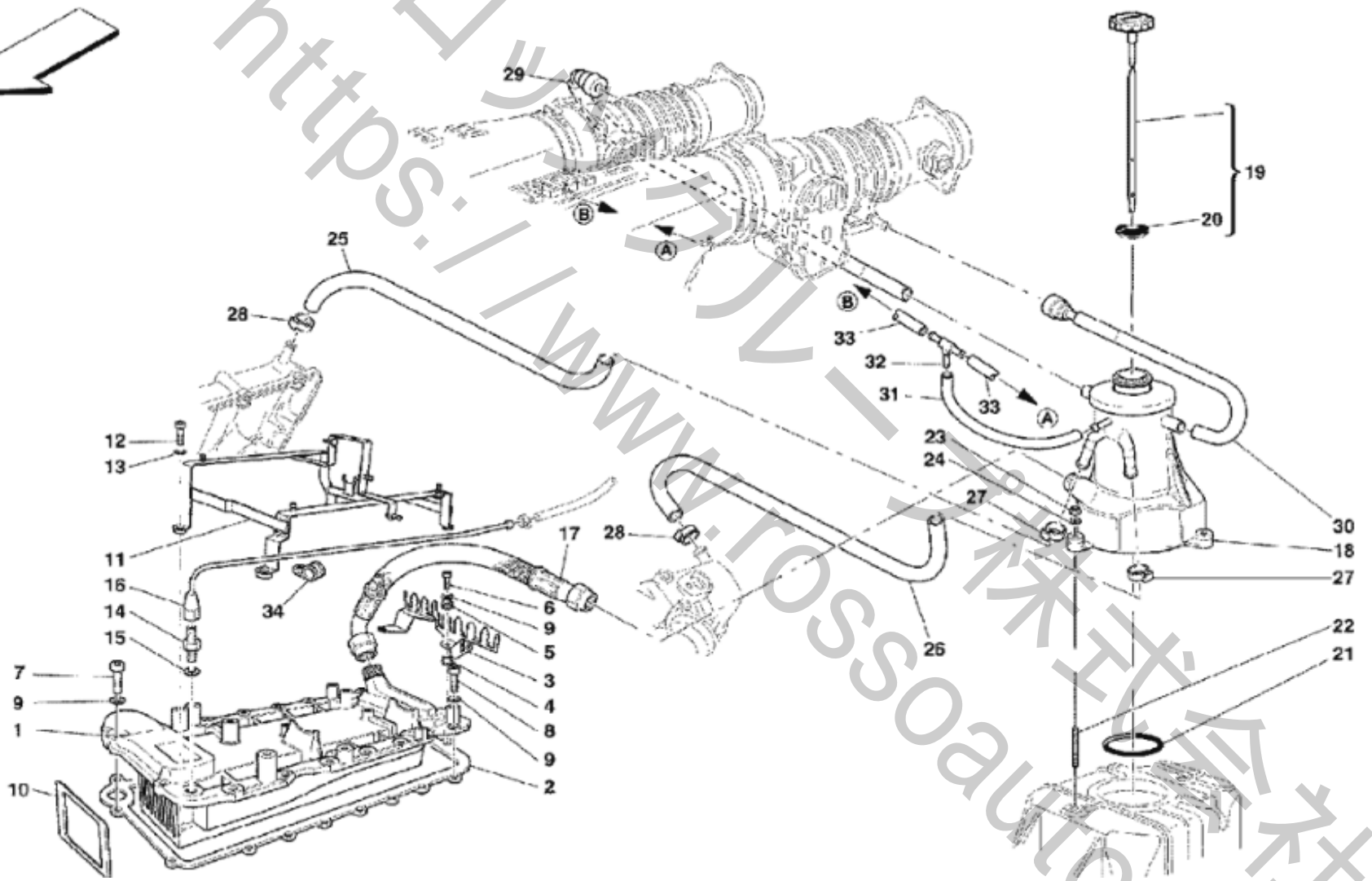


<017 Racing Exhaust System>

No.	Part No.	Name	Qty
1	247596	L.H. EXHAUST MANIFOLD	1
1	247594	L.H. EXHAUST MANIFOLD	1
1	247593	R.H. EXHAUST MANIFOLD	1
1	247595	R.H. EXHAUST MANIFOLD	1
2	178366	BRACKET FOR CONNECTOR FIXING	2
3	175856	BRACKET FOR CONNECTOR FIXING	2
4	144240	THREADED UNION	2
5	150595	CAP NUT	2
6	211404	GASKET	2
7	210971	NUT	16
8	212191	NUT	6
9	154985	GASKET	2
9	154985	GASKET	2
10	216241	R.H. CATALYST	1
10	220662	R.H. CATALYST	1
10	223215	R.H. CATALYST	1
11	220663	L.H. CATALYST	1
11	223216	L.H. CATALYST	1
12	16044524	SCREW	6
13	12646778	WASHER	12
14	114749	SPACER	6
15	111743	SPRING	6
16	182837	FRONT LAMBDA FEELER	2
17	180915	REAR LAMBDA FEELER	2
18	10441390	BRACKET WITH SHEATH	1
19	200934	THERMOCOUPLE	2
19	236195	PLUG	2
20	69640100	L.H. CATALYST SHIELD	1
20	69619900	R.H. CATALYST SHIELD	1
21	16297024	SCREW	4
22	12620474	WASHER	4
23	231541	COMPLETE EXHAUST SILENCER	1
23	239880	COMPLETE EXHAUST SILENCER	1
24	177612	GASKET	2
25	231543	COMPLETE L.H. OUTLET PIPE	1
26	231542	COMPLETE R.H. OUTLET PIPE	1

26	216040 COMPLETE R.H. OUTLET PIPE	1
27	195803 SILENCER SUPPORT EXHAUST SIDE	1
28	16043324 SCREW	4
29	127496 WASHER	4
30	16100824 NUT	4
31	212691 SILENCER SUPPORT GEAR SIDE	1
32	16043434 SCREW	4
33	16100824 NUT	4
34	224389 L.H. SHIELD	1
34	224388 R.H. SHIELD	1
35	12643724 WASHER	2
35	12625224 WASHER	4
36	10902324 SCREW	2
36	16043324 SCREW	4
37	16043534 SCREW	4
38	12646778 WASHER	8
39	127496 WASHER	8
40	179808 NUT	8
41	210893 L.H. BRACKET	1
41	210892 R.H. BRACKET	1
42	185307 CLAMP	2
43	223771 BRACKET AND FIXINGS KIT FOR EXHAUST PIPE	2
44	221909 REINFORCEMENT	1
45	16043324 SCREW	4
46	12646724 WASHER	4
47	12601379 WASHER	4
48	16100824 NUT	4

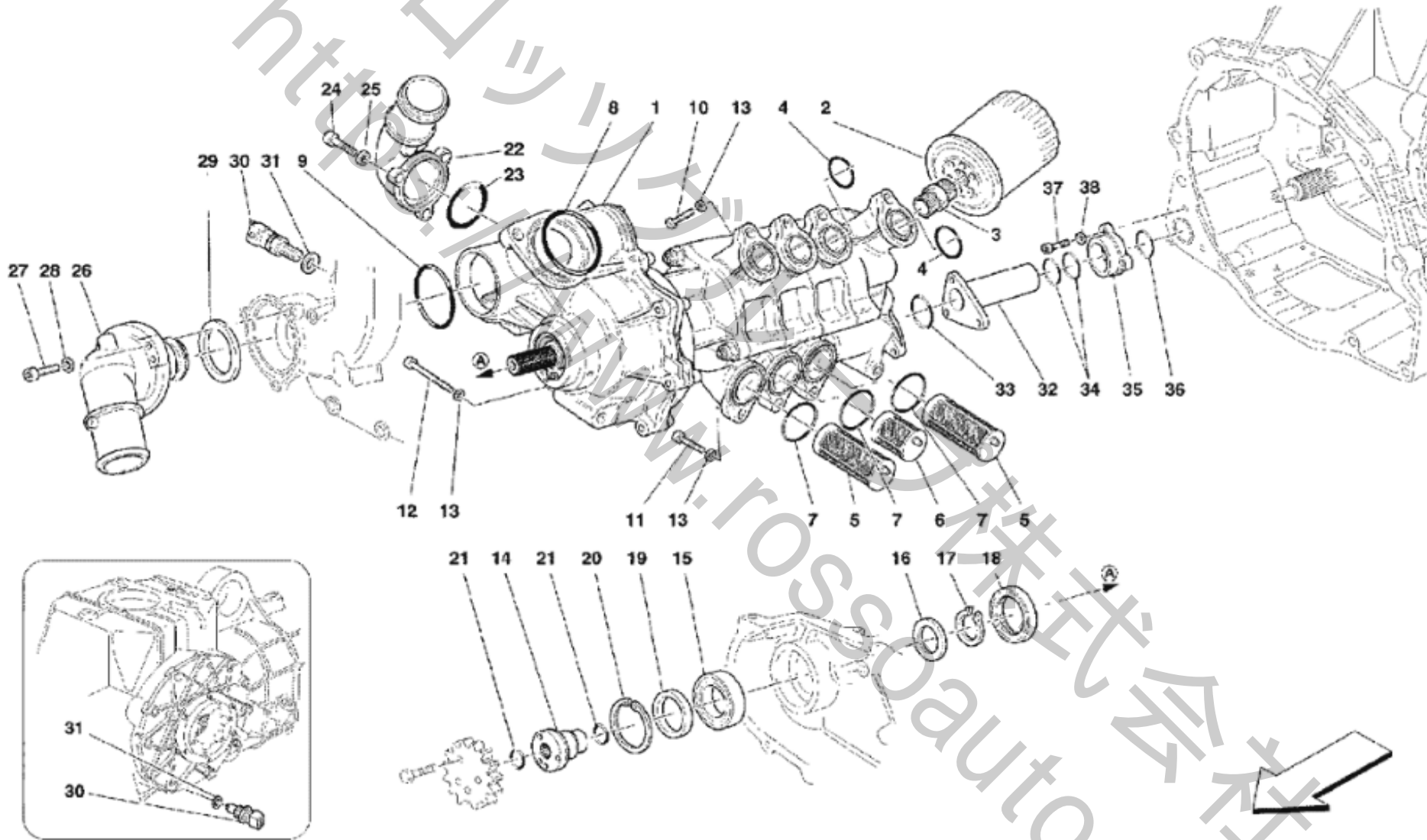
<018 Lubrication System - Tank - Heater Exchanger>



<018 Lubrication System - Tank - Heater Exchanger>

No.	Part No.	Name	Qty
1	197150	HEAT EXCHANGER	1
2	247146	GASKET	1
3	210388	CONNECTORS SUPPORTING BRACKET	1
4	149707	SPACER	2
5	177576	CABLE GROMMET	2
6	14305624	SCREW	2
7	14305524	SCREW	2
8	14305424	SCREW	15
9	11197774	WASHER	19
10	245462	GASKET	1
11	202251	BRACKET	1
12	14305224	SCREW	4
13	11197774	WASHER	4
14	192327	UNION	1
15	10284460	GASKET	1
16	211844	VENT PIPE	1
17	195351	HOSE FROM ENGINE TO DISAREATOR	1
18	216061	AIR OIL DISAREATOR	1
19	254573	TANK PLUG	1
20	211634	GASKET	1
21	176388	GASKET	1
22	13517124	STUD	3
23	101139	NUT	3
24	12601374	WASHER	3
25	211813	VENT R.H. PIPE	1
26	211814	VENT L.H. PIPE	1
27	177996	CLAMP	2
28	178051	CLAMP	2
29	216063	INTAKE STEAM R.H. HOPE	1
30	216064	INTAKE STEAM L.H. HOPE	1
31	195330	RUBBER HOSE	1
32	161816	3 WAY UNION	1
33	195331	RUBBER HOSE	2
34	10440990	BRACKET WITH SHEATH	1

<019 Water_Oil Pump>



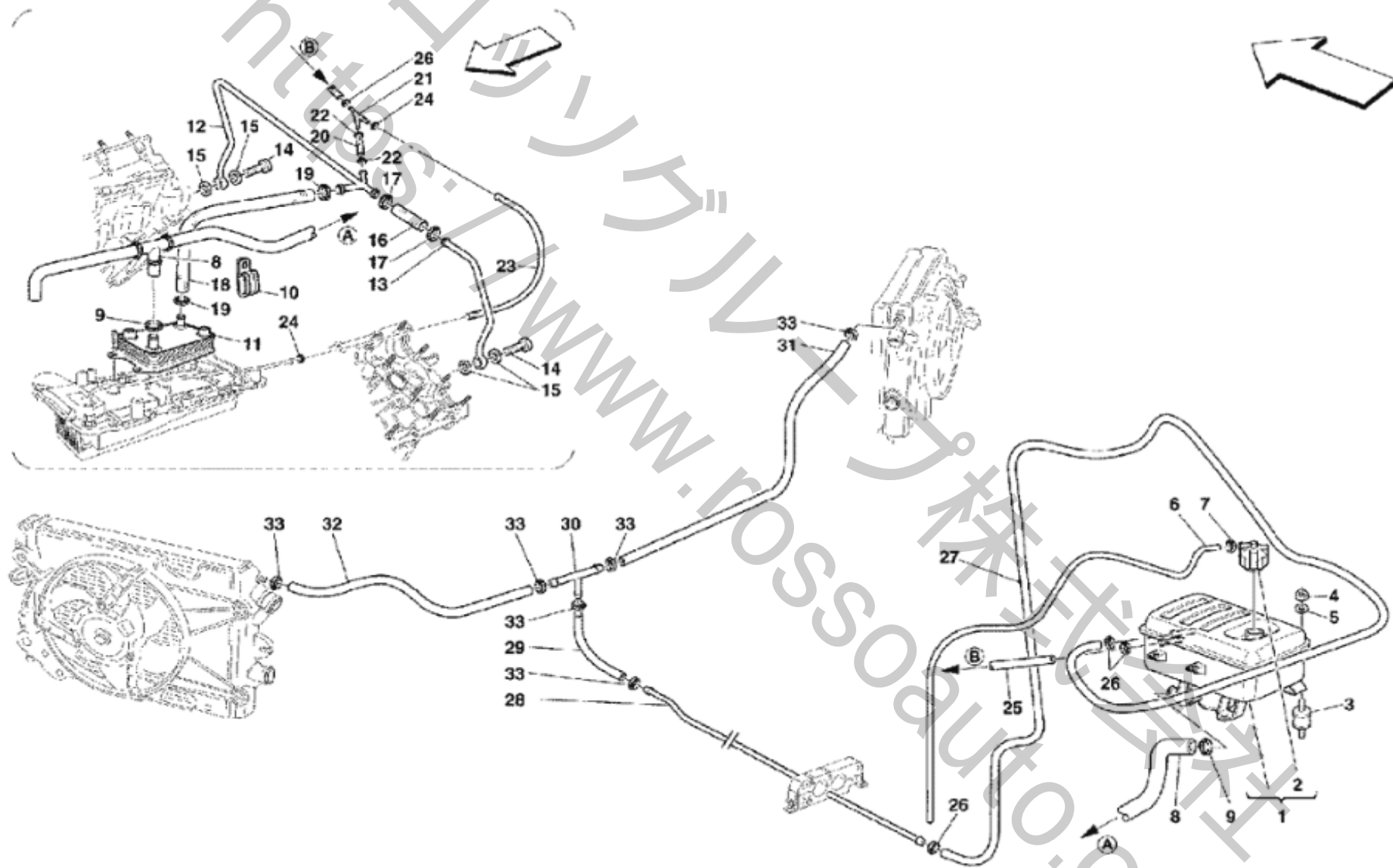
<019 Water_Oil Pump>

No.	Part No.	Name	Qty
1	213223	COMPLETE WATER AND OIL PUMP	1
1	217628	COMPLETE WATER AND OIL PUMP	1
2	234742	OIL FILTER CARTRIDGE	1
3	177604	THREADED UNION	1
4	133938	O.R. GASKET	4
5	187051	LATERAL OIL RECOVERY FILTER	2
6	187162	CENTRAL OIL RECOVERY FILTER	1
7	148225	O.R. GASKET	3
8	132829	O.R. GASKET	1
9	141250	O.R. GASKET	1
10	185345	SCREW	4
11	14306524	SCREW	1
11	14306424	SCREW	3
12	14359324	SCREW	2
13	11198074	WASHER	10
14	189778	COUPLING	1
15	155996	BALL BEARING	1
16	177597	COMPENSATOR RING	1
17	11067276	SEEGER RING	1
18	121276	GASKET	1
19	177596	COMPENSATOR RING	1
20	11381076	SEEGER RING	1
21	186272	O.R. GASKET	2
22	196104	WATER INLET COVER	1
23	154191	GASKET	1
24	14432224	SCREW	3
25	11197774	WASHER	3
26	224607	THERMOSTAT COVER	1
26	230887	THERMOSTAT COVER	1
27	14305324	SCREW	3
28	11197774	WASHER	3
29	137873	GASKET	1
30	180137	TEMPERATURE SENSOR	2
31	10298460	GASKET	2
32	234583	OIL SUCTION PIPE	1
32	240169	OIL INTAKE/FLANGE KIT	1

33	151914 GASKET	1
34	149536 GASKET	2
35	234582 FLANGE	1
36	153628 GASKET	1
37	14432224 SCREW	6
38	11197774 WASHER	6

ロッシオータ
<https://www.rossoauto.com> 株式会社

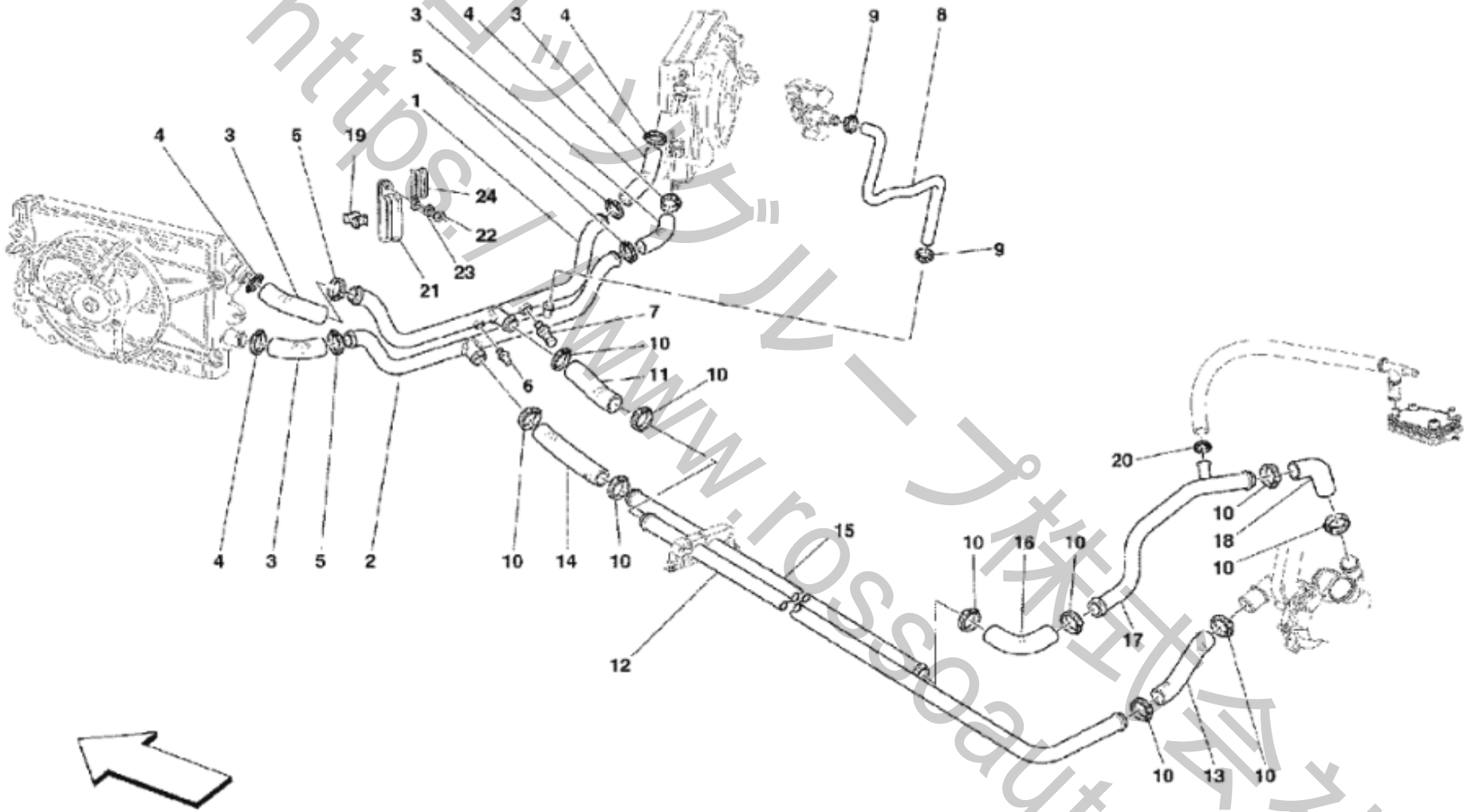
<020 Nourice>



<020 Nourice>

No.	Part No.	Name	Qty
1	199868	COMPLETE FUEL CANISTER	1
2	145030	TANK PLUG	1
3	142202	PAD	4
4	15896214	NUT	4
5	12643724	WASHER	4
6	179280	VENT PIPE	1
7	183919	ELASTIC COLLAR	1
8	214250	COMPLETE TUBE	1
9	183126	CLAMP	2
10	10450790	BRACKET WITH SHEATH	1
11	200161	HEAT EXCHANGER	1
12	240327	R.H. PIPE	1
13	240329	L.H. PIPE	1
14	203787	UNION	2
15	10259960	GASKET	4
16	235080	SLEEVE	1
17	178053	CLAMP	2
18	242641	RUBBER HOSE	1
19	178053	CLAMP	2
20	220936	RUBBER HOSE	1
21	201440	MULTIPLE UNION	1
22	177995	CLAMP	2
23	220935	PIPE FROM HEAT EXCHANGER	1
24	177995	CLAMP	2
25	220936	RUBBER HOSE	1
26	177995	CLAMP	4
27	229968	RUBBER HOSE FROM NOURICE TO UNDERFLOOR	1
28	209401	UNDERFLOOR TUBE	1
29	229986	RUBBER HOSE	1
30	181272	3 WAY UNION	1
31	205089	R.H. RUBBER HOSE	1
32	205088	L.H. RUBBER HOSE	1
33	13000190	SCREW COLLAR	6

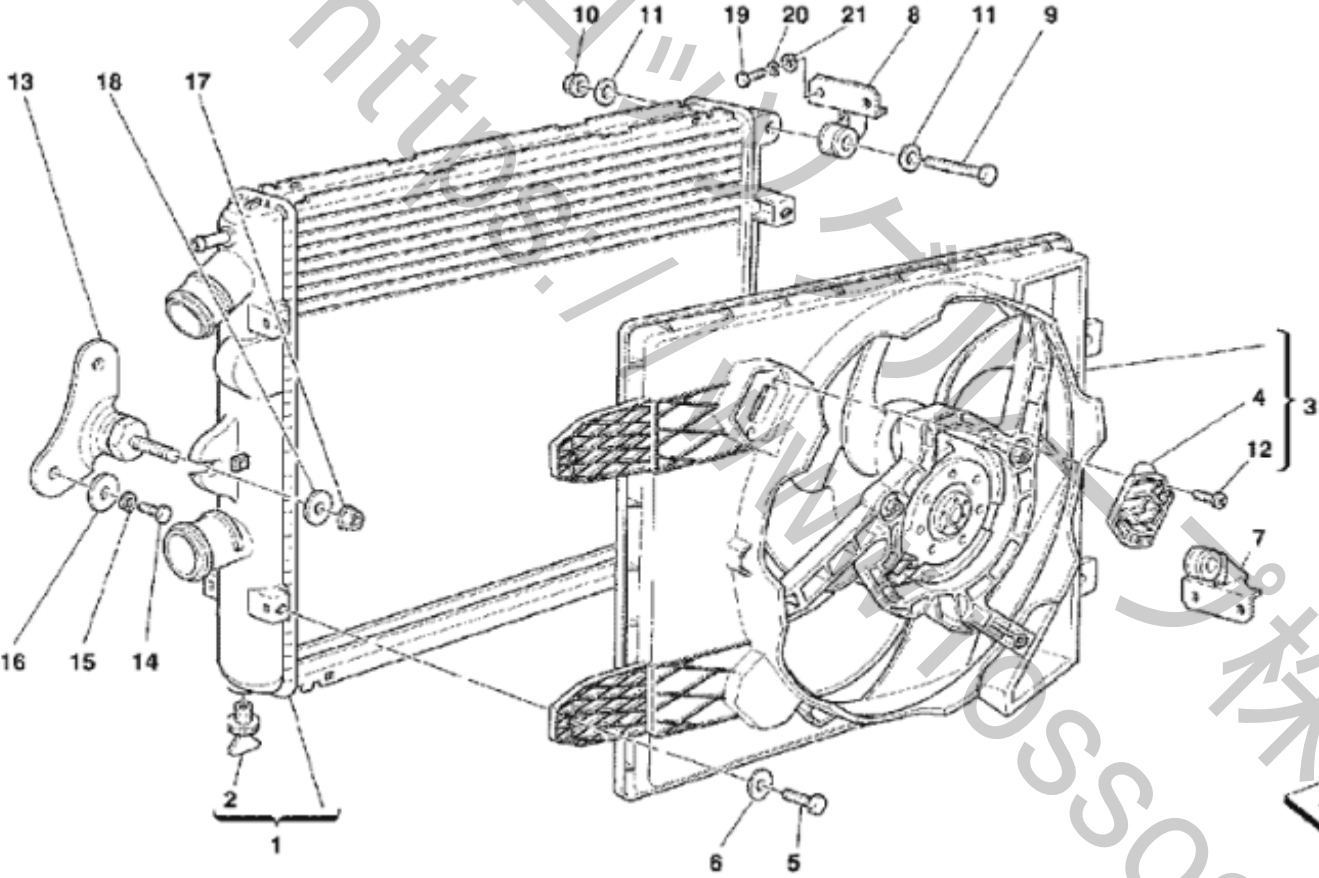
<021 Cooling System>



<021 Cooling System>

No.	Part No.	Name	Qty
1	216372	DELIVERY WATER PIPE	1
1	217917	DELIVERY WATER PIPE	1
2	216373	RETURN WATER PIPE	1
3	181757	RUBBER HOSE	4
3	238691	RUBBER HOSE	2
3	238695	RUBBER HOSE	2
4	13001690	SCREW COLLAR	4
5	168220	SCREW COLLAR	4
6	180137	WATER TEMPERATURE SENSOR	1
7	176322	TEMPERATURE SWITCH	1
8	65231800	HOSE FROM TGK VALVE TO RETURN PIPE	1
8	68641200	HOSE FROM TGK VALVE TO RETURN PIPE	1
9	13000390	SCREW COLLAR	2
10	13001690	SCREW COLLAR	10
11	202547	DELIVERY RUBBER HOSE	1
12	206621	UNDERFLOOR DELIVERY ALUMINIUM TUBE	1
13	208338	RUBBER HOSE	1
14	202548	RETURN RUBBER HOSE	1
15	206728	UNDERFLOOR RETURN ALUMINIUM TUBE	1
16	193463	RETURN RUBBER HOSE	1
17	209686	ALUMINIUM TUBE	1
18	206717	RUBBER HOSE	1
19	183641	SPACER	2
20	177995	CLAMP	1
21	183642	BRACKET WITH SHEATH	2
22	102741	NUT	2
23	10730114	WASHER	2
24	61712500	BRACKET WITH SHEATH	2
25	10298460	GASKET	1

<022 Cooling System Radiators>

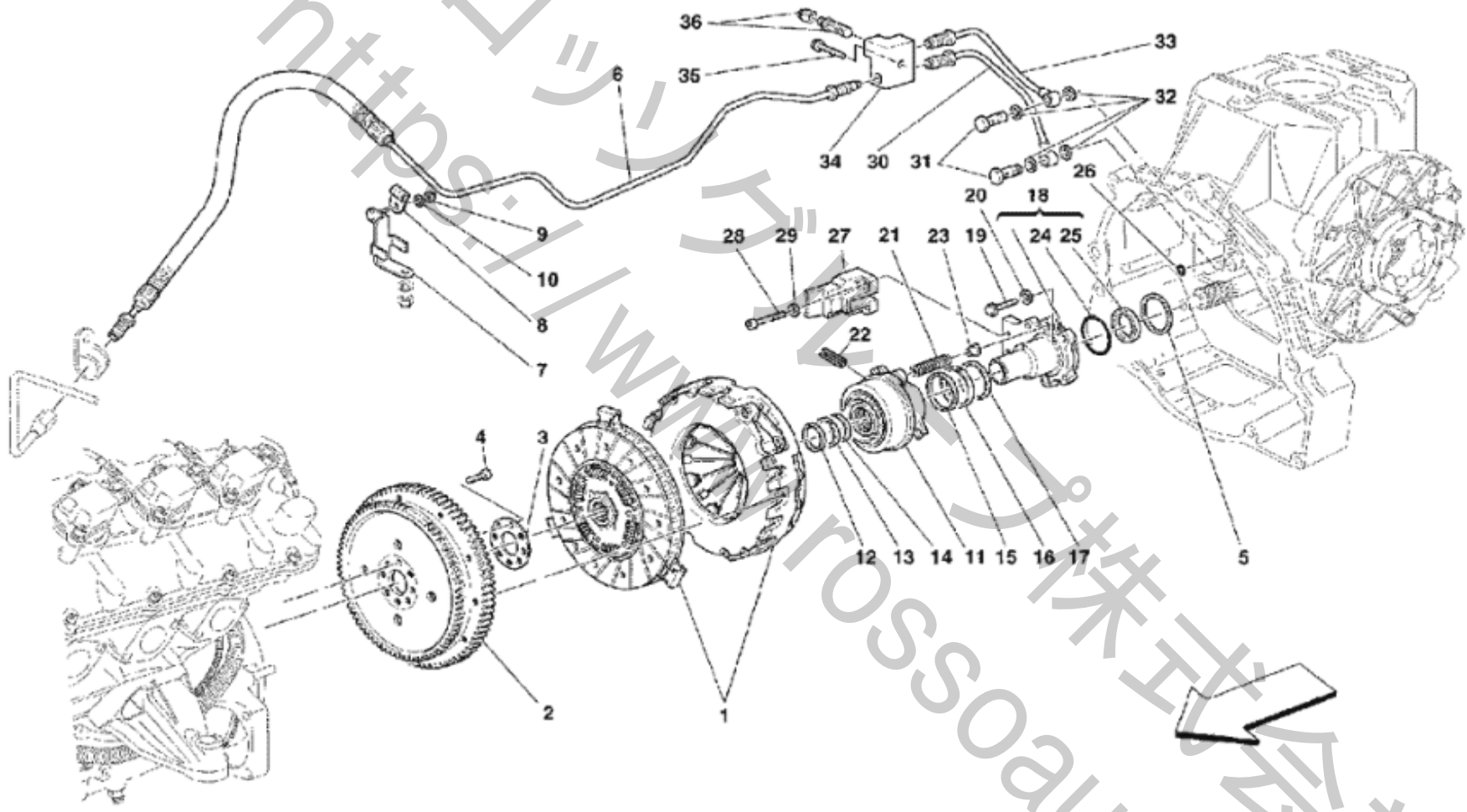


SSOauto.com 株式会社

<022 Cooling System Radiators>

No.	Part No.	Name	Qty
1	194078	WATER RADIATOR	2
2	198965	WATER OUTLET PLUG	2
3	241069	COMPLETE R.H. ELECTROFAN	1
3	194086	COMPLETE.L.H. ELECTROFAN	1
3	241068	COMPLETE.L.H. ELECTROFAN	1
4	185543	RESISTOR	1
5	16286024	SCREW	3
6	12647624	WASHER	3
7	194519	LOWER RADIATOR SUPPORT	2
8	242995	UPPER RADIATOR SUPPORT	2
9	16044324	SCREW	2
10	14058511	NUT	2
11	12646724	WASHER	4
12	15958801	SCREW	2
13	205354	R.H. RADIATOR CENTRAL BRACKET	1
13	205658	L.H. RADIATOR CENTRAL BRACKET	1
14	10902424	SCREW	4
15	106850	WASHER	4
16	12640624	WASHER	4
17	206717	NUT	2
18	124338	WASHER	2
19	14305324	SCREW	8
20	106850	WASHER	8
21	12644424	WASHER	8

<023 Clutch and Controls -Not for F1->



ROSSOauto.com

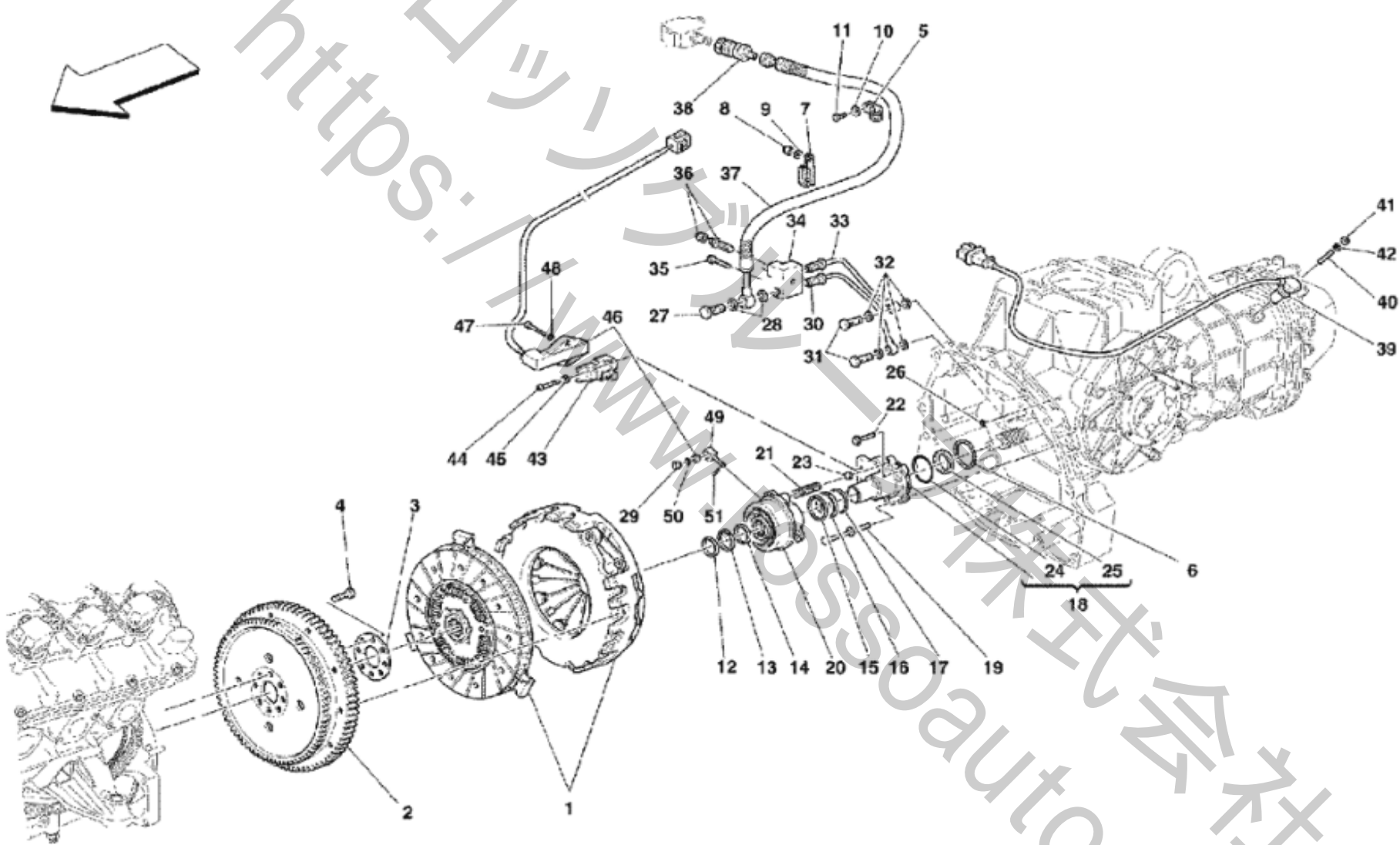
<023 Clutch and Controls -Not for F1->

No.	Part No.	Name	Qty
1	222090	COMPLETE CLUTCH	1
2	230425	COMPLETE ENGINE FLYWHEEL	1
3	103876	FLYWHEEL FIXING WASHER	1
4	201755	SCREW	8
5	173360	SPACER	2
6	207386	CLUTCH CONTROL HOSE	1
7	178342	PIPES FIXING BRACKET	1
8	10440990	BRACKET WITH SHEATH	1
9	102741	NUT	1
9	102741	NUT	1
10	10730114	WASHER	1
11	234943	THRUST BEARING WITHOUT SEALS	1
11	CRB-430-MS	THRUST BEARING WITH SEALS	1
12	172970	SCRAPER RING	1
13	208014	RING	1
14	172972	SEAL RING	1
15	154508	SEAL RING	1
16	154507	RING	1
17	154551	SCRAPER RING	1
18	207539	COMPLETE BEARING SUPPORT FLANGE	1
19	16052024	SCREW	2
20	12601374	WASHER	2
21	155207	PRELOAD SPRING	2
22	14604170	FLEXIBLE PIN	1
23	155206	SPACER FOR SPRING	2
24	136140	O.R. GASKET	1
25	172363	SEAL RING	1
26	121813	O.R. GASKET	2
27	201160	SUPPORT	1
28	14358524	SCREW	2
29	10519378	WASHER	2
30	242066	CLUTCH CONTROL TUBE	1
31	11903811	UNION	2
32	10284460	GASKET	4
33	242074	BLEEDER SYSTEM PIPE	1
34	235706	BLOCK	1

34	235706 BLOCK	1
35	16286324 SCREW	1
36	121699 BLEEDER SCREW	1
36	152954 BLEEDER SCREW	1
37	204385 SCREW	9
38	11194379 WASHER	9

ロッシェ自動車株式会社
<https://www.rossoauto.com>

<024 Clutch and Controls -Valid for F1->

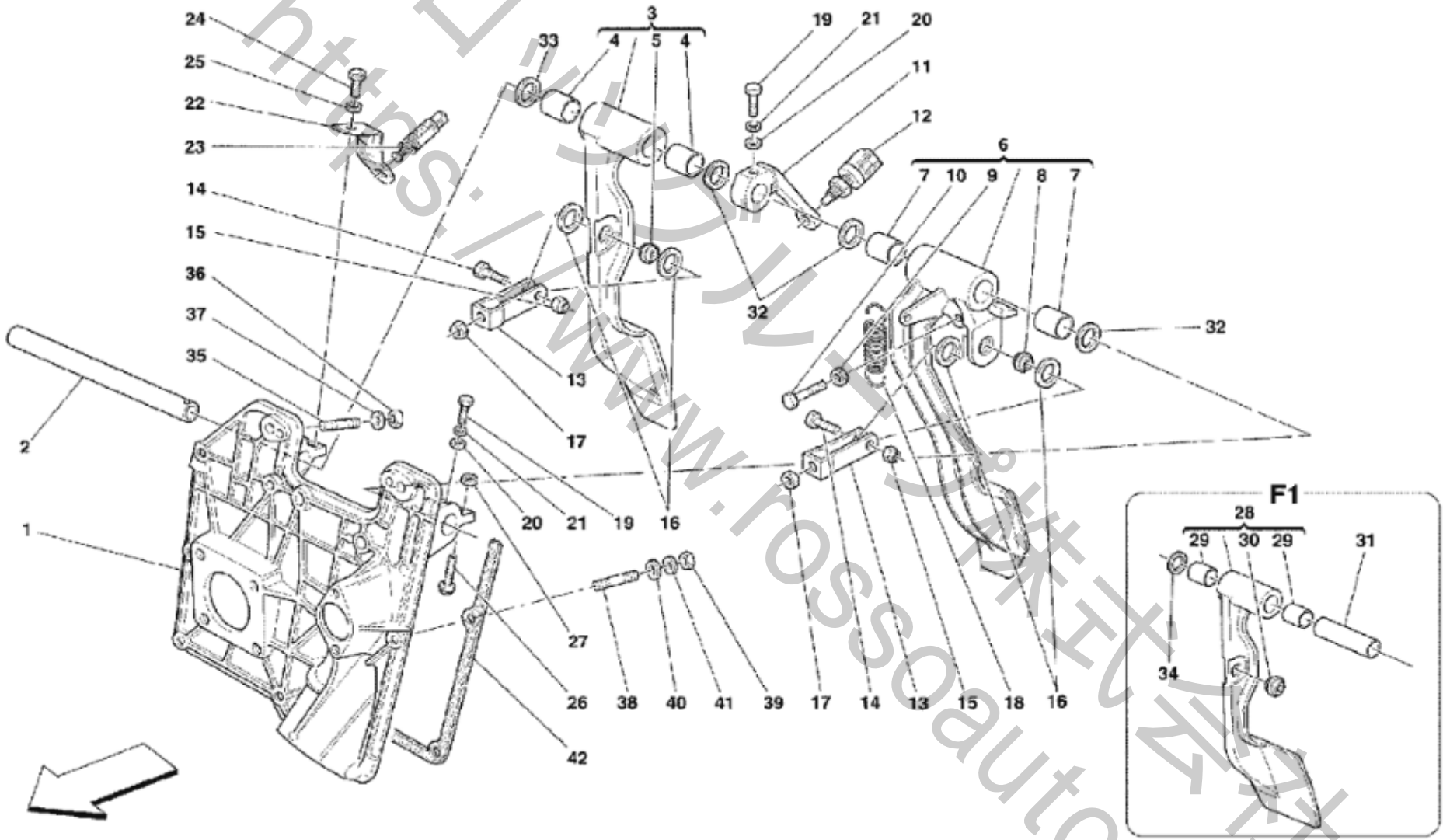


<024 Clutch and Controls -Valid for F1->

No.	Part No.	Name	Qty
1	222090	COMPLETE CLUTCH	1
2	230425	COMPLETE ENGINE FLYWHEEL	1
3	103876	FLYWHEEL FIXING WASHER	1
4	201755	SCREW	8
5	173360	SPACER	2
6	207386	CLUTCH CONTROL HOSE	1
7	178342	PIPES FIXING BRACKET	1
8	10440990	BRACKET WITH SHEATH	1
9	102741	NUT	1
10	10730114	WASHER	1
11	10979424	SCREW	1
12	181837	SCRAPER RING	1
13	208014	RING	1
14	181838	SEAL RING	1
15	181828	SEAL RING	1
16	154507	RING	1
17	181836	SCRAPER RING	1
18	207539	COMPLETE BEARING SUPPORT FLANGE	1
19	201171	STUD FOR END OF STROKE	2
20	234943	THRUST BEARING WITHOUT SEALS	1
20	CRB-430-F1S	THRUST BEARING WITH SEALS	1
21	155207	PRELOAD SPRING	2
22	16052024	SCREW	2
23	155206	SPACER	2
24	136140	O.R. GASKET	1
25	172363	SEAL RING	1
26	166432	O.R. GASKET	2
27	171454	UNION	1
28	10261060	GASKET	2
29	167802	PLUG	1
30	242066	CLUTCH CONTROL TUBE	1
31	11903811	UNION	2
32	10284460	GASKET	4
33	242074	BLEEDER SYSTEM PIPE	1
34	235706	BLOCK	1
34	235706	BLOCK	1

35	16286324 SCREW	1
36	121699 BLEEDER SCREW	1
37	239429 COMPLETE CLUTCH HOSE	1
38	210469 FEMALE COUPLING	1
39	168729 ELECTROMAGNETIC SENSOR	1
40	11500124 STUD	1
41	10720124 NUT	1
42	12604274 WASHER	1
43	201160 SUPPORT	1
44	14358524 SCREW	2
45	10519378 WASHER	2
46	219340 COMPLETE SENSOR KIT	1
46	243784 COMPLETE SENSOR KIT	1
47	14303324 SCREW	2
48	10519224 WASHER	2
49	165567 PIN	1
50	165658 O.R. GASKET	1
51	14158570 PIN	1
52	204385 SCREW	9
53	11194379 WASHER	9
54	241691 BLOCK SHIELD	1
55	140605 O.R. GASKET	1
56	203294 PRESSURE SENSOR	1

<025 Pedals>



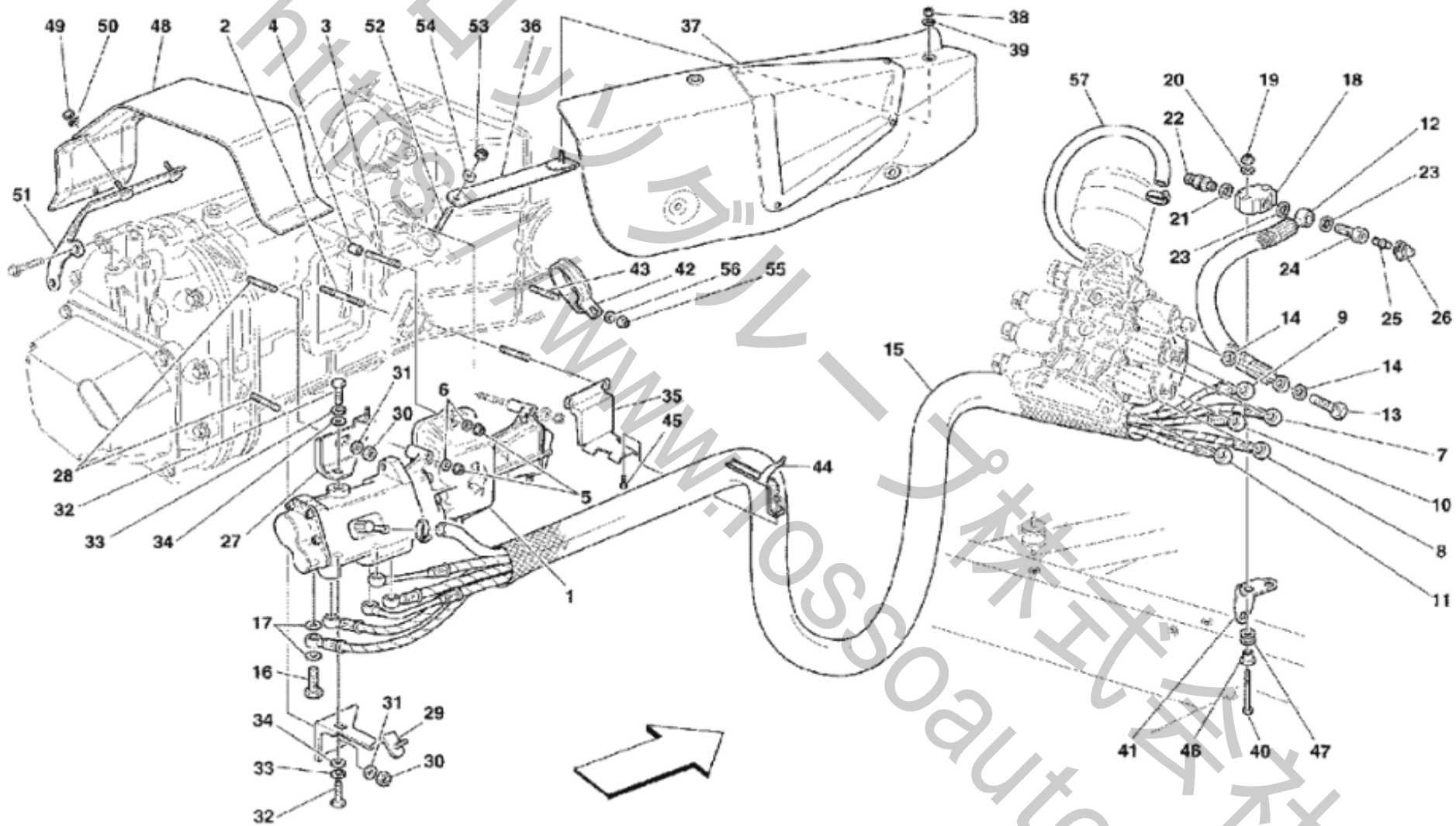
<025 Pedals>

No.	Part No.	Name	Qty
1	176464	PEDALS SUPPORT	1
2	176466	PEDALS SUPPORT PIN	1
3	180558	COMPLETE BRAKE PEDAL	1
4	103163	SELF LUBRICATING BUSHING	2
5	176475	BALL JOINT	1
6	180559	COMPLETE CLUTCH PEDAL	1
7	103163	SELF LUBRICATING BUSHING	2
8	176475	BALL JOINT	1
9	16102314	NUT	1
10	187014	PEDAL ADJUSTMENT PIN	1
11	180516	CENTRAL BRACKET	1
12	133555	PUSH BUTTON SWITCH	1
13	176471	FORK	2
13	199754	FORK	2
14	16043724	SCREW	2
15	147985	NUT	2
16	176522	PLASTIC WASHER	4
17	16102314	NUT	2
18	101305	RETUTN SPRING FOR PEDAL	1
19	10902424	SCREW	1
20	10519424	WASHER	2
21	127494	WASHER	1
22	218606	SWITCH SUPPORT	1
22	219558	SWITCH SUPPORT	1
23	183433	PUSH BUTTON SWITCH	1
23	201957	PUSH BUTTON SWITCH	1
24	16043224	SCREW	1
25	127496	WASHER	1
26	187014	PEDAL ADJUSTMENT PIN	1
27	16102314	NUT	1
28	180560	COMPLETE BRAKE PEDAL	1
29	103163	SELF LUBRICATING BUSHING	2
30	176475	BALL JOINT	1
31	176918	SPACER	1
32	113836	WASHER	3
33	113833	SPACER WASHER	1

33	113834 SPACER WASHER	1
33	113836 SPACER WASHER	1
33	113835 SPACER WASHER	1
33	106083 SPACER WASHER	1
34	178340 SPACER WASHER	1
34	113836 SPACER WASHER	1
34	113835 SPACER WASHER	1
34	113834 SPACER WASHER	1
35	13516924 STUD	6
36	104030 NUT	6
37	12638524 WASHER	6
38	13517024 STUD	2
39	16102377 NUT	2
40	13550321 WASHER	2
41	12601374 WASHER	2
42	176524 PEDALS SUPPORT GASKET	1

<http://www.rossoauto.com> 株式会社

<026 F1 Clutch Hydraulic Control -Valid for F1->

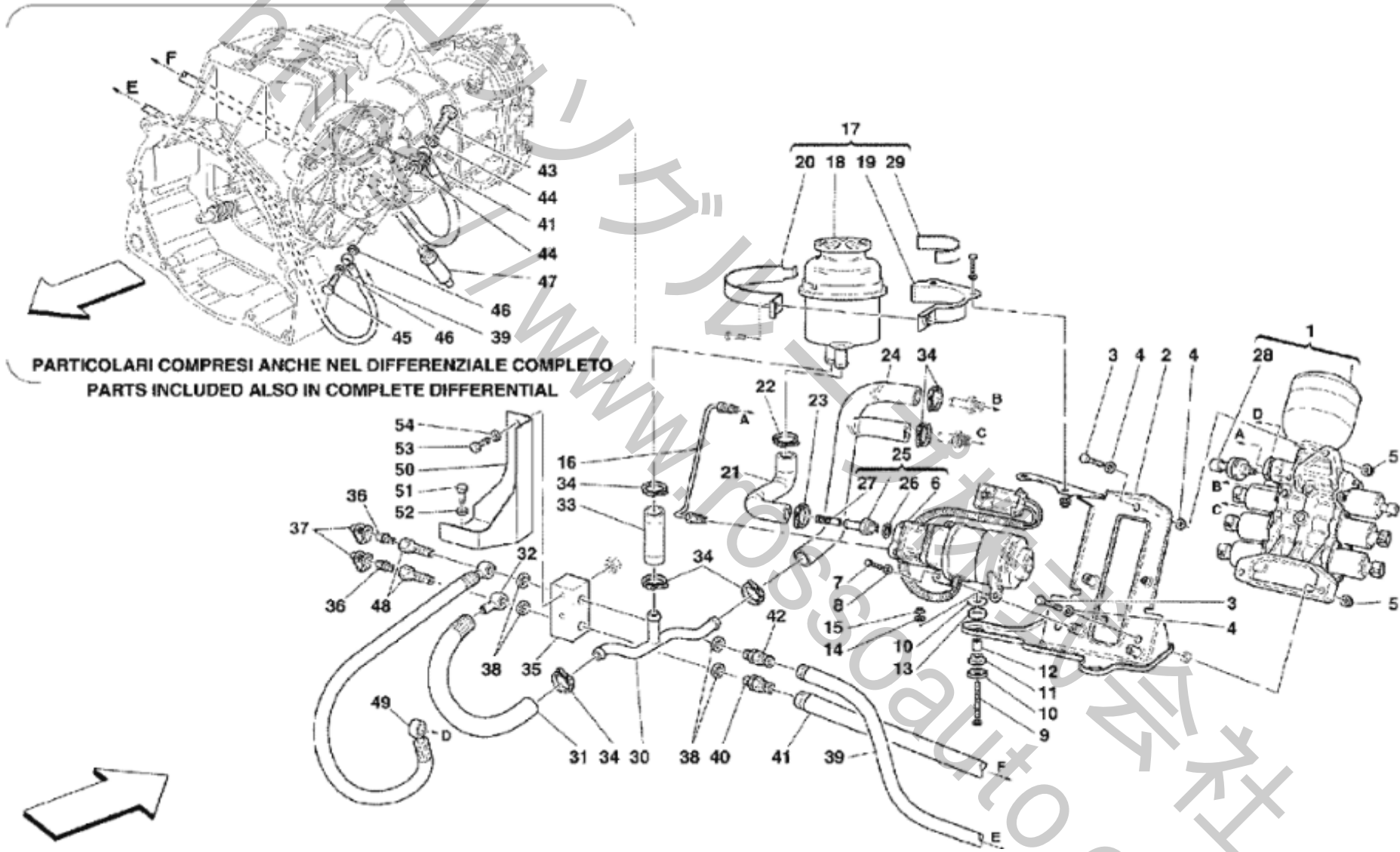


<026 F1 Clutch Hydraulic Control -Valid for F1->

No.	Part No.	Name	Qty
0	232406	F1 GEARBOX SYSTEM COMPONENTS KIT	1
1	248084	COMPLETE HYDRAULIC ACTUATOR	1
2	11501024	STUD	4
3	11500724	STUD	2
4	103038	CENTERING DOWEL	2
5	16100814	NUT	2
6	127496	WASHER	2
7	179340	PIPE (EV1)	1
8	179342	PIPE (EV2)	1
9	179343	PIPE (EV3)	1
10	179344	PIPE (EV4)	1
11	179345	PIPE (EV5)	1
12	248101	PIPE FROM PUMP TO BLOCK	1
13	171454	UNION	3
13	204545	UNION	3
14	10261060	GASKET	12
15	179346	PROTECTION SHEATH	1
16	171454	UNION	2
16	204543	UNION	3
17	10261060	GASKET	10
18	175667	BLOCK	1
19	15896214	NUT	2
20	12601279	WASHER	2
21	171755	WASHER	1
22	210468	QUICK MALE COUPLING	1
23	10261060	GASKET	2
24	171630	UNION	1
25	152954	BLEEDER SCREW	1
26	152955	PROTECTION BOOT	1
27	174257	UPPER ACTUATOR SUPPORT BRACKET	1
28	13516424	STUD	2
29	195549	LOWER ACTUATOR SUPPORT BRACKET	1
30	16100814	NUT	2
31	127496	WASHER	2
32	16043124	SCREW	2
33	127496	WASHER	2

35	208101 PIPES SUPPORTING BRACKET	1
36	242669 SHIELD SUPPORTING BRACKET	1
37	220681 SHIELD FOR ACTUATOR PROTECTION	1
38	160472 NUT	4
39	12637824 WASHER	4
40	10903224 SCREW	2
41	186685 BLOCK SUPPORT BRACKET	1
42	124034 BRACKET WITH SHEATH	1
43	13540724 STUD	1
44	208103 BRACKET	1
45	16043124 SCREW	1
46	149707 SPACER	2
47	177576 CABLE GROMMET	2
48	208622 SENSOR PROTECTION SHIELD	1
49	160472 NUT	2
50	12637824 WASHER	2
51	180745 SHIELD SUPPORTING BRACKET	1
52	13516424 STUD	1
53	177778 NUT	1
54	12638524 WASHER	2
55	102741 NUT	1
56	12643724 WASHER	1
57	180965 OIL RECYCLE PIPE	1
58	248095 POTENTIOMETERS KIT	1
59	192865 SCREW	4
60	222502 POTENTIOMETERS FLANGE	1
61	192866 SCREW	4
62	213472 CLIP	1
63	208842 BRACKET	1
64	10902424 SCREW	2
65	127494 WASHER	2
66	12643724 WASHER	2

<027 Power Unit and Tank -Valid for F1->

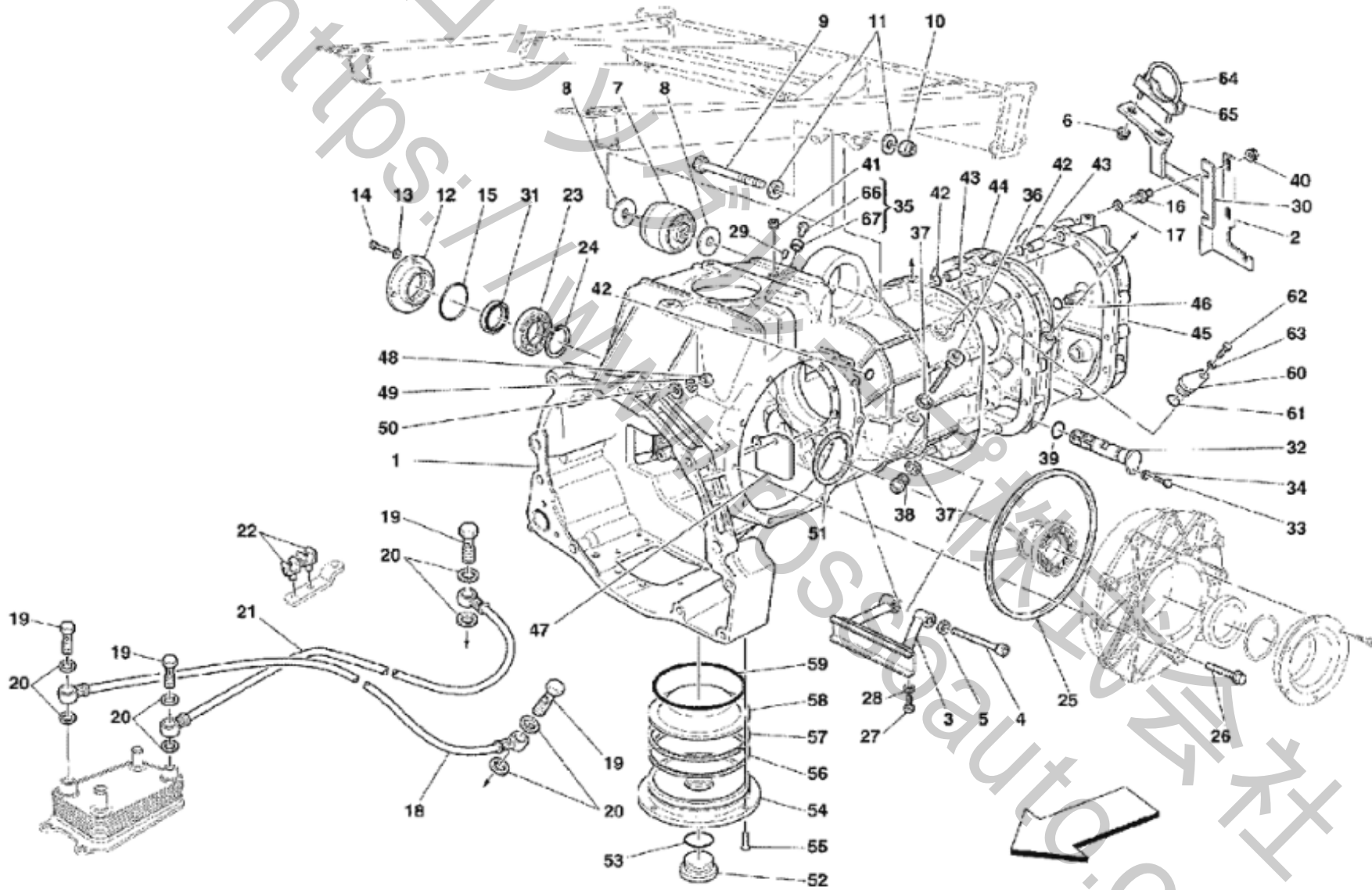


<027 Power Unit and Tank -Valid for F1->

No.	Part No.	Name	Qty
0	232406	F1 GEARBOX SYSTEM COMPONENTS KIT	1
1	179533	POWER UNIT	1
2	179296	POWER UNIT SUPPORTING BRACKET	1
2	248092	POWER UNIT SUPPORTING BRACKET	1
3	16043934	SCREW	3
4	14496524	WASHER	6
5	175283	NUT	3
6	247223	ELECTRIC PUMP	1
6	248083	ELECTRIC PUMP	1
7	10902324	SCREW	3
7	14305724	SCREW	3
8	14496424	WASHER	3
9	13541624	STUD	4
10	179636	CUP	8
11	179639	LOWER PAD	4
12	179637	SPACER	4
13	179638	UPPER PAD	4
14	12620474	WASHER	4
15	14058411	NUT	4
16	186037	PIPE FROM ELECTRICAL PUMP TO POWER UNIT	1
16	218564	PIPE FROM ELECTRICAL PUMP TO POWER UNIT	1
17	248086	OIL TANK	1
18	202522	PLUG	1
19	179593	BRACKET FOR TANK SUPPORT	1
20	171746	SUPPORT CLAMP	1
21	179338	PIPE FROM TANK TO PUMP	1
21	218563	PIPE FROM TANK TO PUMP	1
22	13432670	SCREW COLLAR	1
23	13430770	SCREW COLLAR	1
24	221129	OIL RETURN TUBE	1
25	185858	COMPLETE UNION	1
26	281980	GASKET	1
27	193540	UNION FILTER	1
28	190662	PRESSURE SENSOR	1
29	183718	RUBBER GASKET	1
30	221129	CORE	1

31	199566 RETURN TUBE	1
32	204451 RING	1
33	213293 PIPE FROM TANK	1
34	13430770 COLLAR FOR SLEEVE	7
35	199567 BLOCK	1
36	152954 BLEEDER SCREW	2
37	152955 BOOT	2
38	10261060 GASKET	4
39	204431 DELIVERY TUBE	1
40	208072 COUPLING	1
41	215701 RETURN TUBE	1
42	210468 COUPLING	1
43	201867 UNION	1
44	10261160 GASKET	2
45	201866 UNION	1
46	10261060 GASKET	2
47	205742 CONTROL VALVE	1
48	171630 UNION	2
49	204435 FEED PIPE	1
50	207999 BRACKET	1
50	220767 BRACKET	1
51	10902224 SCREW	2
52	127494 WASHER	2
53	10903024 SCREW	2
54	12644424 WASHER	2
55	221129 COMPLETE TUBE	1
56	221148 COLLAR	3
57	181915 COMPLETE TUBE	1
58	222829 COMPLETE VENT PIPE	1
59	224398 GROUND CABLE	1
60	217147 PROTECTION	2
61	206739 TEAR TYPE CLAMP	2
62	14306021 SCREW	1
63	13579221 WASHER	1
64	232838 BRACKET	1

<028 Gearbox - Covers>



<028 Gearbox - Covers>

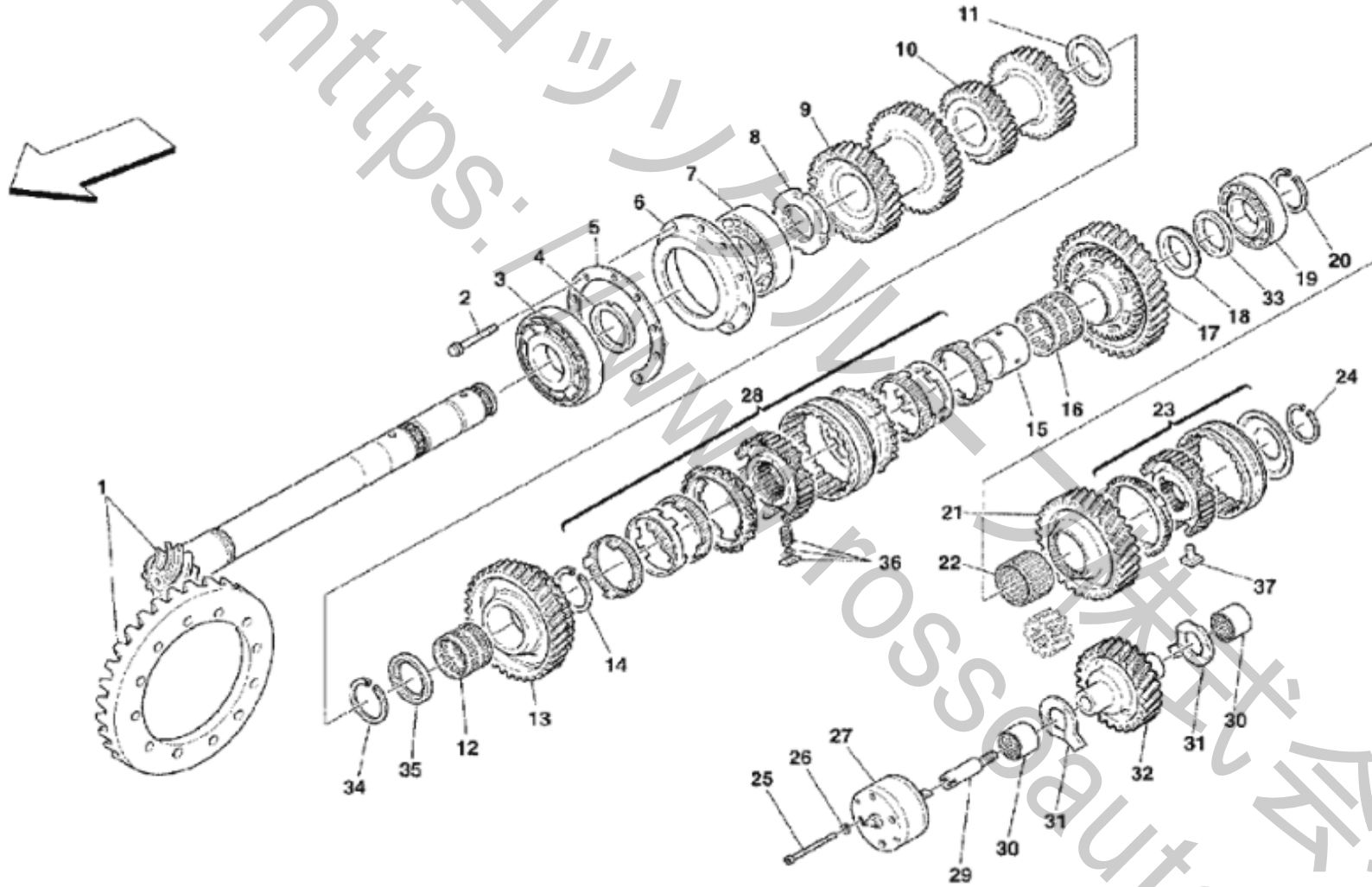
No.	Part No.	Name	Qty
0	247318	GEARBOX	1
1	247316	COMPLETE TRANSMISSION	1
1	215755	COMPLETE TRANSMISSION	1
2	223144	L.H. BRACKET	1
2	223143	R.H. BRACKET	1
3	215599	GUARD ABSORBER	1
4	14314774	SCREW	1
4	207460	PIN	1
5	13507734	WASHER	1
5	11067274	SEEGER RING	2
6	14058519	NUT	4
7	237531	GEARBOX SUPPORT PAD	1
8	188141	RETAINING WASHER	2
9	11117134	SCREW	1
10	106004	NUT	1
11	14496824	WASHER	2
12	183981	R.H. FLANGE FOR SHAFT	1
13	11194377	WASHER	4
14	10902224	SCREW	4
15	14460981	O.R. GASKET	1
16	215111	STUD	5
16	215113	STUD	1
17	14496524	WASHER	6
18	198163	OIL DELIVERY TUBE	1
19	184727	UNION	4
20	145192	GASKET	8
21	198166	OIL RETURN TUBE	1
22	65250000	CLIP	2
23	184995	BALL BEARING	1
24	184994	FLEXIBLE RING	1
25	206350	THICKNESS	1
25	206351	THICKNESS	1
25	206349	THICKNESS	1
25	205881	THICKNESS	1
26	16287421	SCREW	11
27	15231524	SCREW	2

28	12601474	WASHER	2
29	14326001	THREADED PLUG	1
30	215508	SPACER	2
31	181618	R.H. OIL RING	1
32	182100	GEAR BOX OIL FILTER	1
33	10977624	SCREW	1
34	11199277	WASHER	1
35	213859	OIL VENT	1
36	182117	OIL LEVEL ROD	1
37	10263460	GASKET	3
38	183962	PLUG	2
39	182119	O.R. GASKET	1
40	14059311	NUT	6
41	14324911	PLUG	1
42	14456981	GASKET	4
43	150957	CENTERING BUSHING	4
44	173611	PLATE	1
45	212634	REAR COVER	1
46	137192	GASKET	2
47	183986	PLATE	1
48	133988	NUT	7
49	127497	WASHER	7
50	14496624	WASHER	7
51	185029	RING	1
51	185033	RING	1
51	185034	RING	1
52	10276140	PLUG	1
53	10265060	GASKET	1
54	198596	OIL FILTER COVER	1
55	14440620	SCREW	4
56	207541	GASKET	1
57	185723	SEEGER RING	1
58	122429	OIL FILTER	1
59	190183	O.R. GASKET	1
60	185721	PLUG	1
61	14453481	O.R. GASKET	1
62	10902224	SCREW	1
63	11194379	WASHER	1
64	216085	RETAINER	2

65	215058	BRACKET	2
66	197797	BREATHER	1
67	213860	BUSHING	1
68	14314774	SCREW	1
69	13507734	WASHER	1
70	215508	SPACER	2
71	197621	BUSHING	1
71	207459	BUSHING	1
72	213174	BUSHING	1
73	185723	SEGER RING	1
74	67912300	ANTI-HEAT SHIELD	1
74	69619500	ANTI-HEAT SHIELD	1
75	10977624	SCREW	2
76	14446924	WASHER	2

http://www.rossoauto.com 株式会社

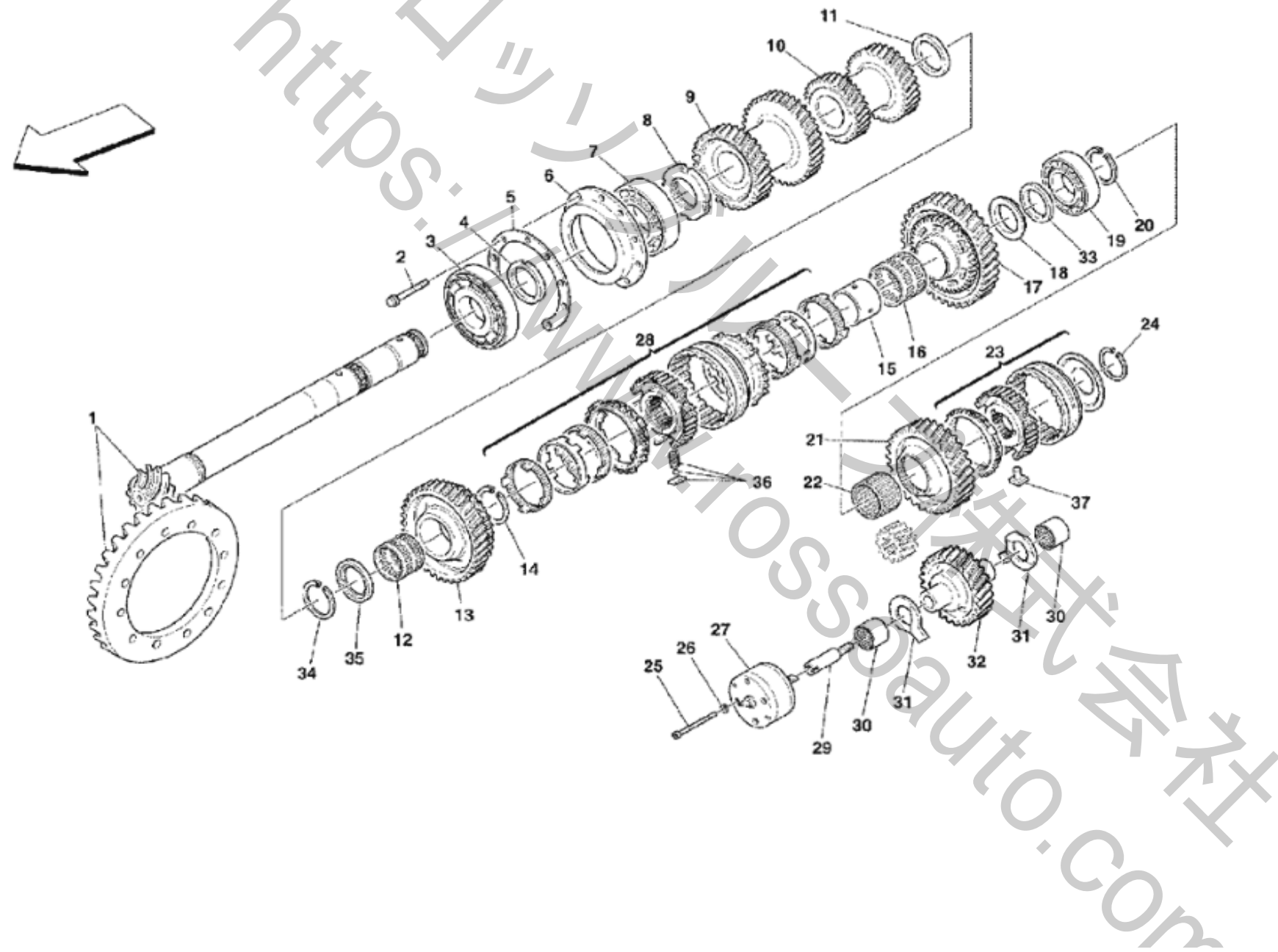
<029 Main Shaft Gears>



<029 Main Shaft Gears>

No.	Part No.	Name	Qty
1	183967	RING NUT	1
2	14442027	SCREW	2
3	209282	REVERSE DRIVING GEAR	1
4	183984	REAR PLATE	1
5	184019	BALL BEARING	1
6	210001	MAIN SHAFT	1
7	183949	PINION FOR 5TH GEAR	1
8	184015	ROLLER CAGE	2
9	185166	5TH AND 6TH GEAR COMPLETE SYNCHRONIZER	1
10	184011	FLEXIBLE RING	1
11	183970	SPACER FOR PINION FOR 6th GEAR	1
12	198601	PINION FOR 6th GEAR	1
13	184010	RING	1
14	183947	PINION FOR 3RD GEAR	1
15	184014	ROLLER CAGE	1
16	185165	3RD AND 4TH GEAR COMPLETE SYNCHRONIZER	1
17	184042	FLEXIBLE RING	1
18	184005	ROLLER CAGE	1
19	183948	PINION FOR 4TH GEAR	1
20	183973	WASHER	1
21	184021	ROLLER BEARING	1
22	184012	RING NUT	2
23	209281	CLUTCH SHAFT	1
24	184013	BALL BEARING	1
25	16287124	SCREW	2
26	14305724	SCREW	1
27	10569274	WASHER	1
28	183985	BUSHING	1
29	188320	PAD FOR SYNCHRONIZER/BALL/ SPRING REPLACEMENT KIT	2
30	12606979	WASHER	2

<030 Lay Shaft Gears>



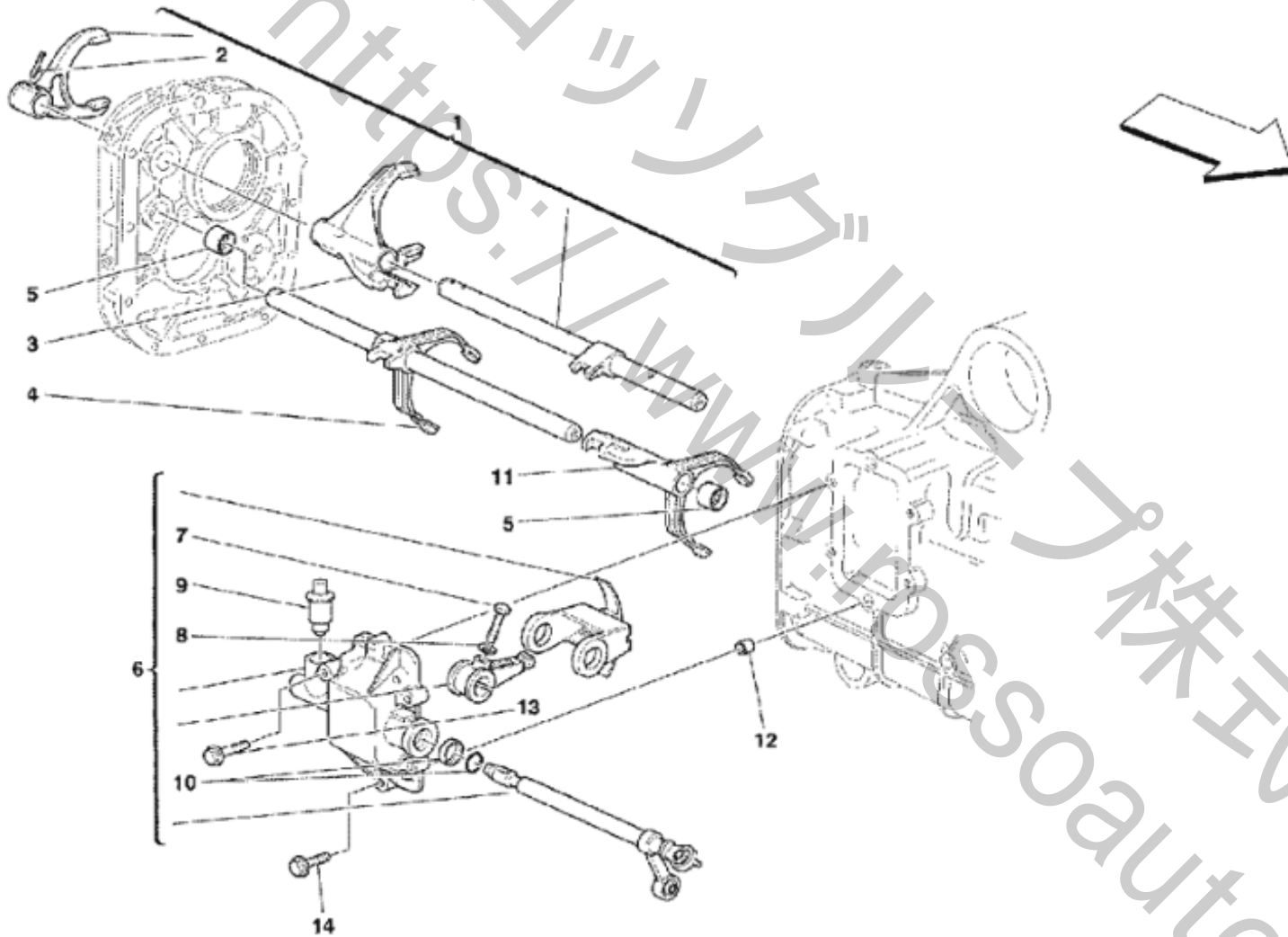
<030 Lay Shaft Gears>

No.	Part No.	Name	Qty
1	197811	COMPETE BEVEL SET	1
2	16287730	SCREW	7
3	185022	ROLLER BEARING	1
4	185027	REGISTER RING	1
4	185045	REGISTER RING	1
4	185028	REGISTER RING	1
5	185043	REGISTER RING	1
5	185042	REGISTER RING	1
5	185044	REGISTER RING	1
6	185020	BEARING SUPPORT	1
7	185021	ROLLER BEARING	1
8	196667	RING NUT	1
9	185018	3rd AND 4th DRIVEN GEAR	1
10	198620	5th AND 6th DRIVEN GEAR	1
11	188497	SPACER	1
12	184014	ROLLER CAGE	1
13	183946	PINION FOR 2nd GEAR	1
14	185037	FLEXIBLE RING	1
14	183976	FLEXIBLE RING	1
14	185036	FLEXIBLE RING	1
15	183971	BUSHING	1
16	184016	ROLLER CAGE	1
17	183945	PINION FOR 1st GEAR	1
18	183972	RING	1
19	184020	ROLLER BEARING	1
20	184042	FLEXIBLE RING	1
21	199752	REVERSE GEAR	1
22	184018	ROLLER CAGE	1
23	193439	REVERSE GEAR COMPLETE SYNCHRONIZER	1
24	184041	FLEXIBLE RING	1
25	14302424	SCREW	4
26	10571379	WASHER	4
27	185049	BEARBOX OIL PUMP	1
28	185164	1st AND 2nd GEAR COMPLETE SYNCHRONIZER	1
29	185050	PIN	1
30	184017	ROLLER CASING	2

31	183975 RING	2
32	199737 IDLE GEAR FOR REVERSE	1
33	200924 SPACER	1
34	183976 FLEXIBLE RING	1
35	203800 RING	1
35	203801 RING	1
36	188320 PAD FOR SYNCHRONIZER/BALL/ SPRING REPLACEMENT KIT	1
37	193440 PADS/SYNCHRO REVERSE GEAR KIT	1

<https://www.rossoauto.com> 株式会社

<031 Inside Gearbox Controls>

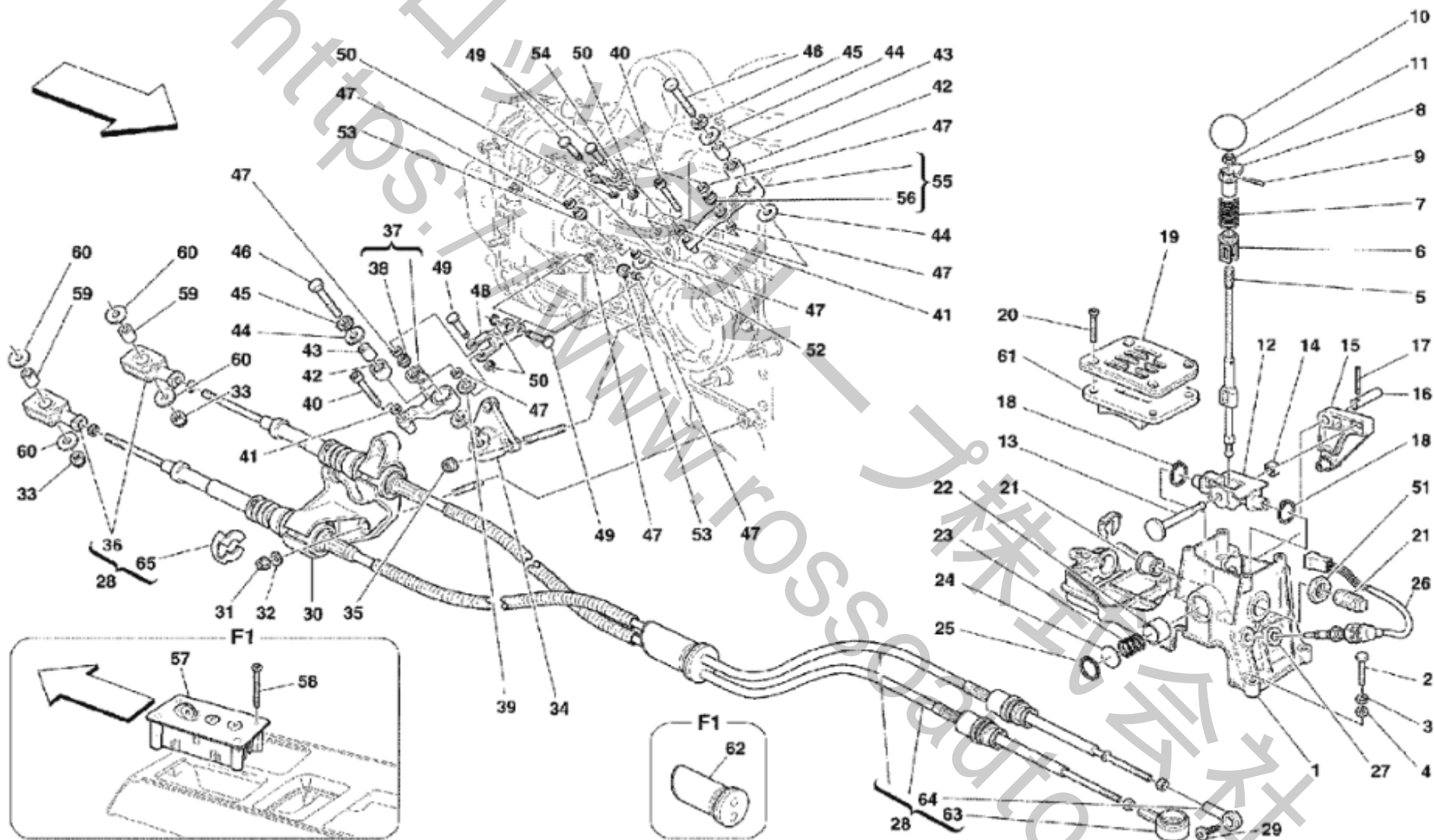


https://www.ossoauto.com 株式会社

<031 Inside Gearbox Controls>

No.	Part No.	Name	Qty
1	185708	CONTROL ROD FOR REVERSE	1
2	13910470	FLEXIBLE PIN	4
3	199742	CONTROL FORK FOR 1st AND 2nd GEAR	1
4	183955	ROD FOR 5th AND 6th GEAR	1
5	183982	BEARING BUSH	2
6	184022	COMPLETE OUTER CONTROL	1
7	185216	SCREW	1
8	10516679	WASHER	1
9	184990	ROD TIP FOR GEARBOX CONTROL SHAFT	1
10	174915	RING AND SCRAPER RING	1
11	211473	CONTROL FORK FOR 3rd AND 4th GEAR	1
12	145992	CENTERING DOWEL	2
13	16286721	SCREW	1
14	16286321	SCREW	5

<032 Outside Gearbox Controls>

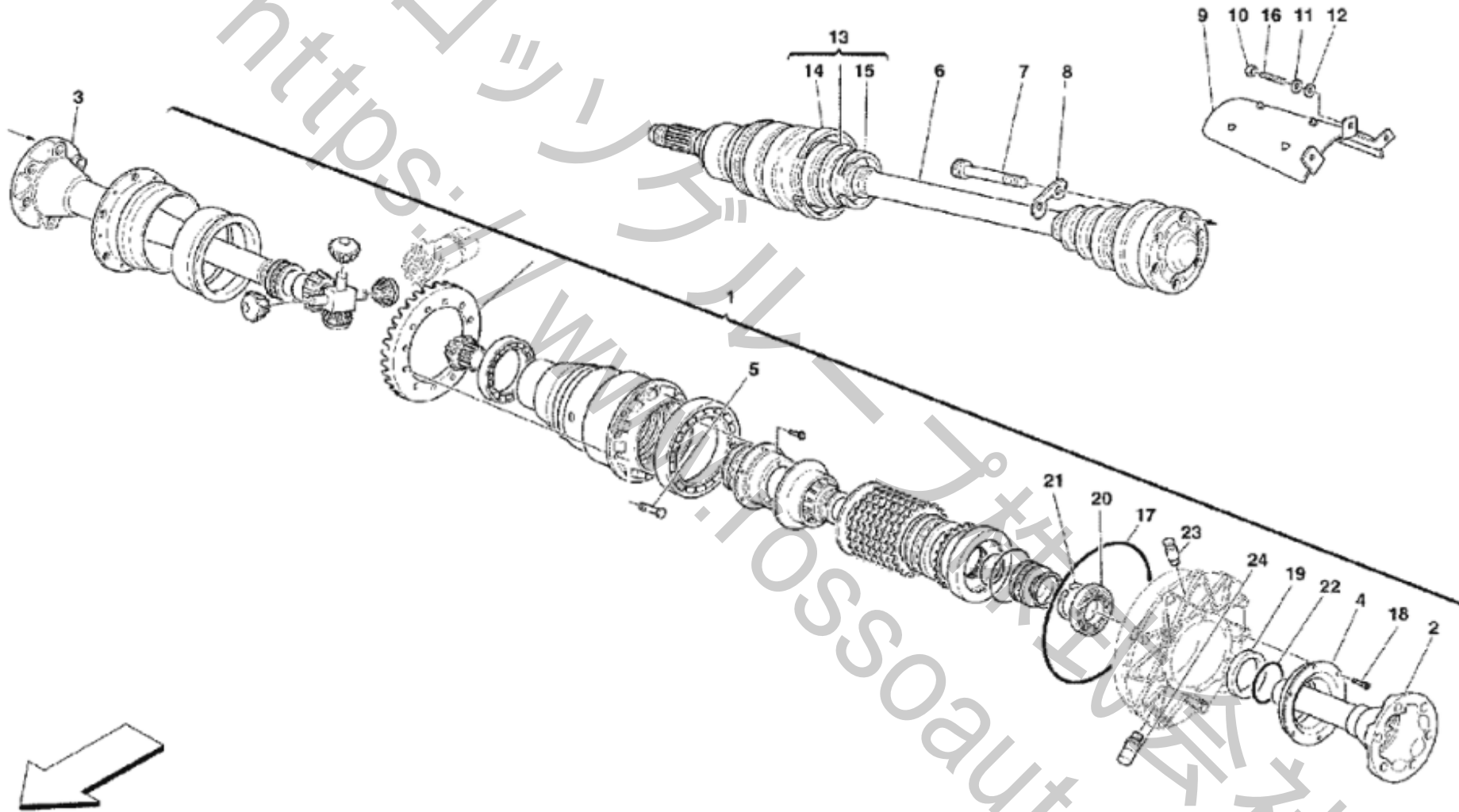


<032 Outside Gearbox Controls>

No.	Part No.	Name	Qty
1	181751	GEARBOX CONTROL	1
2	16044024	SCREW	4
3	12601374	WASHER	4
4	14496524	WASHER	4
5	180936	GEARBOX CONTROL LEVER	1
6	174967	BUSHING	1
7	159137	SPRING	1
8	199070	BUSHING	1
9	13896070	PIN	1
10	160480	KNOB	1
10	223130	KNOB	1
11	108010	COUNTER NUT	1
12	176626	FULCRUM	1
13	176425	PIN	1
14	172934	SMALL BLOCK	1
15	176642	LEVER	1
16	176419	PIN	1
17	14160570	PIN	1
18	172918	SAFETY RING	2
19	179844	GEAR SELECTOR	1
19	220439	GEAR SELECTOR	1
20	159357	SCREW	4
21	181753	FRONT BUSHING	1
21	181752	REAR BUSHING	1
22	177029	PIN	1
23	177027	SIDE SPRING	1
24	177028	SPRING RETAINING DISC	1
25	11058976	FLEXIBLE RING	1
26	115980	PUSH BUTTON SWITCH	1
27	12601571	WASHER	1
28	180701	COMPLETE GEARBOX CONTROL CABLES	1
29	14567187	BUTTON	1
30	177812	BRACKET FOR CABLE FIXING	1
31	194031	NUT	3
32	14496424	WASHER	3
33	14048115	NUT	2

34	202619 SUPPORT FOR LEVERAGE	1
35	14059911 NUT	3
36	182435 COMPLETE RUBBER JOINT	2
37	186369 LEVER	1
38	109407 BALL JOINT	1
39	178423 THICKNESS	1
40	14305824 SCREW	2
41	14499324 WASHER	2
42	171677 ROLLER BEARING	2
43	174984 BUSHING	2
44	171671 WASHER	4
45	10615674 WASHER	2
46	16044024 SCREW	2
47	171673 SPACER	8
48	174911 FORK	1
49	174974 PIN	4
50	11065674 SEEGER RING	4
51	182391 NUT	1
52	178423 THICKNESS	1
53	109407 BALL JOINT	2
54	174912 FORK	1
55	186371 LEVER	1
56	109407 BALL JOINT	1
57	81699200 F1 GEARBOX CONTROL DASHBOARD (LHD) Jaeger type	1
57	81699600 F1 GEARBOX CONTROL DASHBOARD (LHD) Jaeger type	1
57	81699300 F1 GEARBOX CONTROL DASHBOARD (RHD) Digitek	1
58	65404500 SCREW	4
59	182237 BUSHING	2
60	12643724 WASHER	4
61	176422 SPACER	1
62	180127 CLOSING HOLE PAD	1
63	187873 R.H. JOINT	1
64	187874 L.H. JOINT	1
65	187875 LOCK RING	2

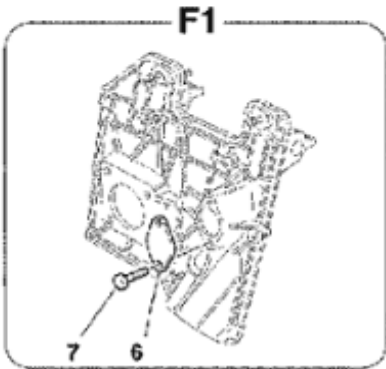
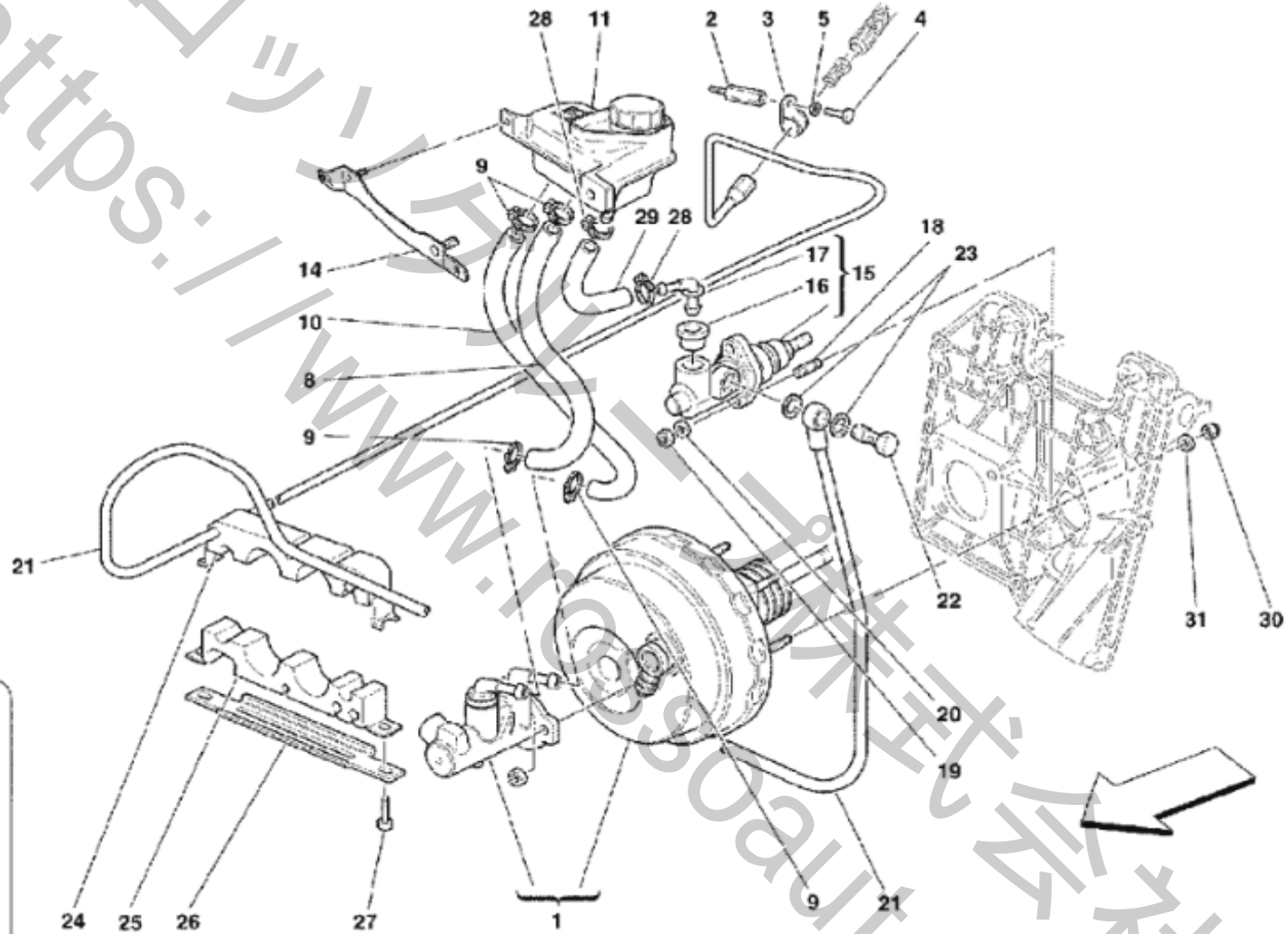
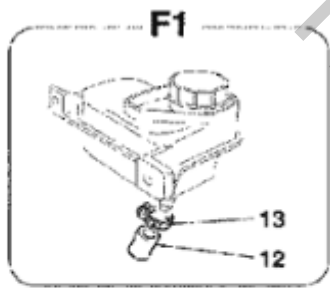
<033 Differential and Axle Shaft>



<033 Differential and Axle Shaft>

No.	Part No.	Name	Qty
1	238598	COMPLETE DIFFERENTIAL	1
2	199744	L.H. SHAFT FOR DIFFERENTIAL EXIT	1
3	199743	R.H. SHAFT FOR DIFFERENTIAL EXIT	1
4	205745	COVER	1
5	16287434	SCREW	11
6	201911	AXLE SHAFT	2
7	223916	SCREW	12
8	149415	PLATE	6
9	208327	SHIELD FOR AXLE SHAFT PROTECTION	2
10	14048115	NUT	6
11	12601274	WASHER	6
12	12639724	WASHER	6
13	70000868	PROTECTION REPLACEMENT SET	2
13	70000867	PROTECTION REPLACEMENT SET	2
14	172347	BIG CLAMP	4
15	154213	LITTLE CLAMP	4
16	13540724	STUD	6
17	14468781	GASKET	1
18	14305321	SCREW	6
19	181617	SEAL RING	1
20	184995	BALL BEARING	1
21	184994	FLEXIBLE RING	1
22	14460981	O.R. GASKET	1
23	205741	VENT VALVE	1
24	205743	PRESSURE SENSOR	1

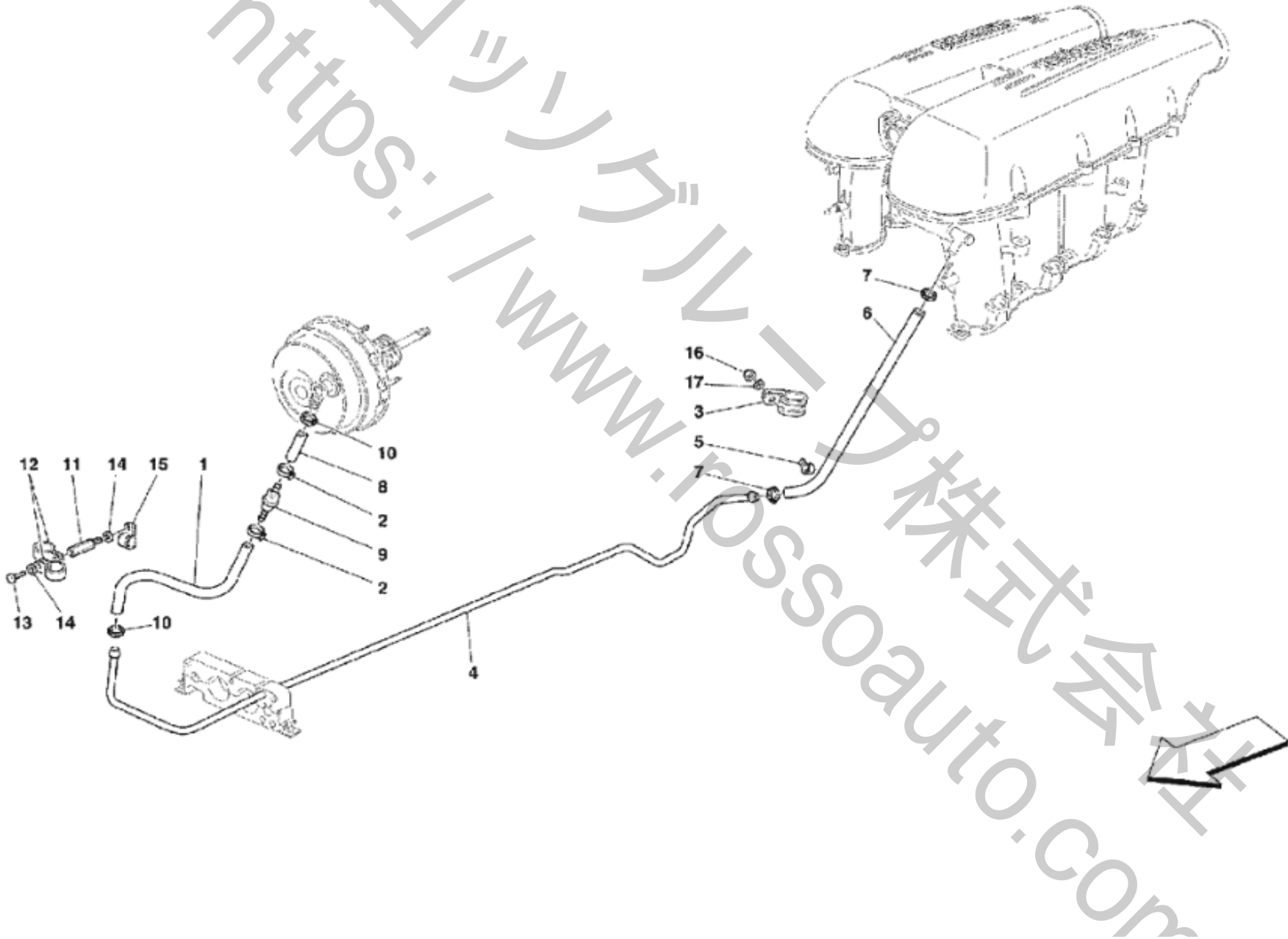
<034 Brakes and Clutch Hydraulic Controls>



<034 Brakes and Clutch Hydraulic Controls>

No.	Part No.	Name	Qty
1	191087	COMPLETE BRAKE BOOSTER	1
1	198634	COMPLETE BRAKE BOOSTER	1
2	178772	STUD	1
3	10441390	BRACKET WITH SHEATH	2
4	10902224	SCREW	1
5	127494	WASHER	1
6	174177	FLANGE	1
7	16043021	SCREW	2
8	154011	PIPE FROM FRONT UNION TO TANK	1
9	13000190	SCREW COLLAR	4
10	194598	PIPE FROM REAR UNION TO TANK	1
11	203903	COMPLETE BRAKE OIL TANK	1
12	248008	PLUG	1
13	13000190	SCREW COLLAR	1
14	195352	BRACKET	1
15	180841	CLUTCH PUMP	1
16	175189	SEAL RING	1
17	184497	UNION	1
18	13517024	STUD	2
19	104030	NUT	2
20	12601374	WASHER	2
21	202550	PIPE FROM PUMP TO REAR UNION	1
22	180042	UNION	1
23	10298460	GASKET	2
24	201028	UPPER SUPPORT	3
25	201029	LOWER SUPPORT	3
26	211683	SMALL PLATE	3
27	64830600	SCREW	6
28	13000190	SCREW COLLAR	2
29	134903	RUBBER HOSE	1
30	104030	NUT	4
31	12601374	WASHER	4

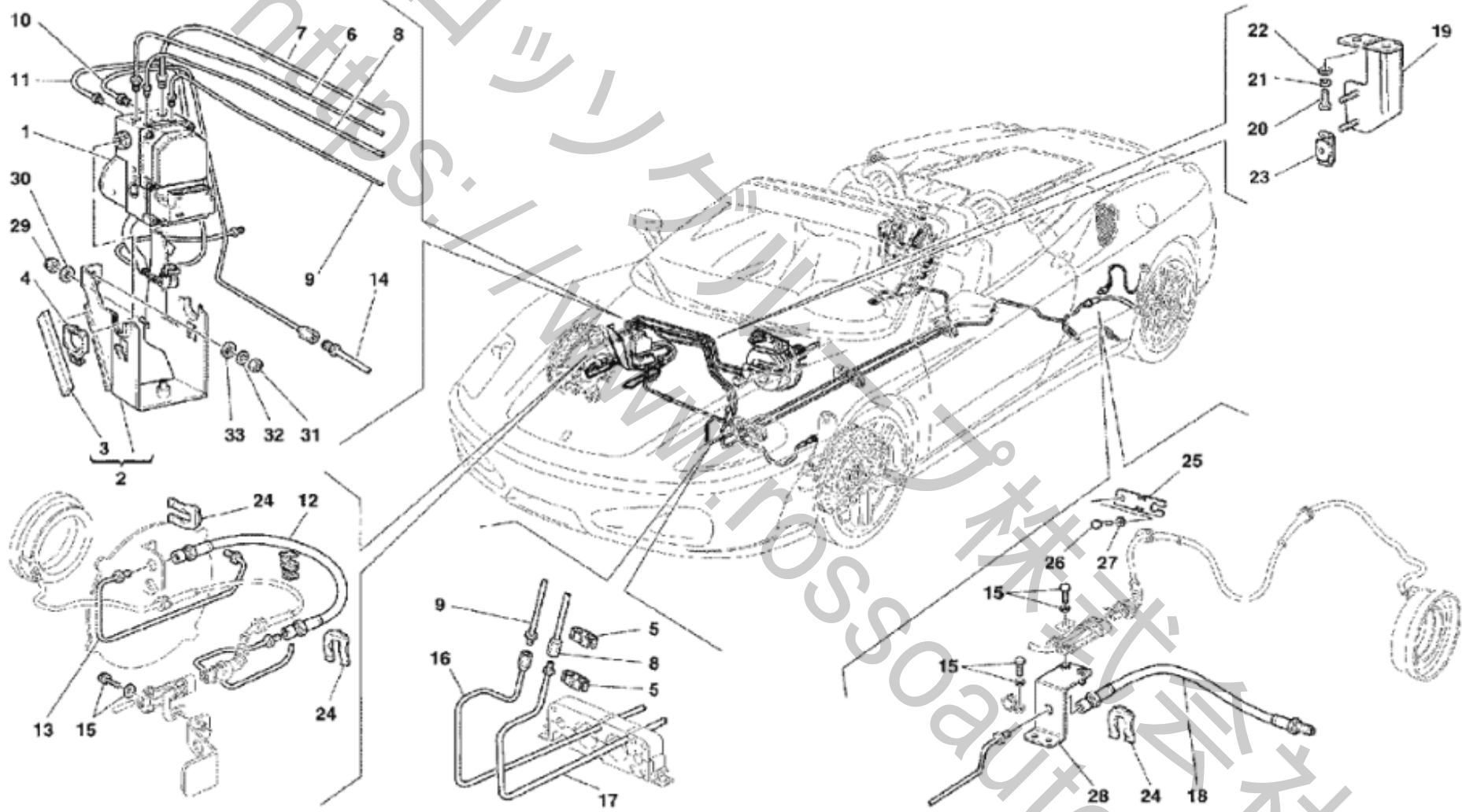
<035 Brake Booster System>



<035 Brake Booster System>

No.	Part No.	Name	Qty
1	173842	RUBBER HOSE FROM VALVE TO UNDERFLOOR TUBE	1
2	164015	COLLAR FOR SLEEVE	2
3	61712500	BRACKET	2
4	202553	BRAKE BOOSTER UNDERFLOOR TUBE	1
5	10450190	BRACKET WITH SHEATH	1
6	168386	RUBBER HOSE	1
7	161490	SCREW COLLAR	2
9	193186	NONRETURN VALVE	1
10	161490	SCREW COLLAR	2
11	178772	STUD	1
12	10441390	BRACKET WITH SHEATH	2
13	10902224	SCREW	1
14	127494	WASHER	2
15	10441690	BRACKET	1
16	102948	NUT	2
17	12639724	WASHER	2

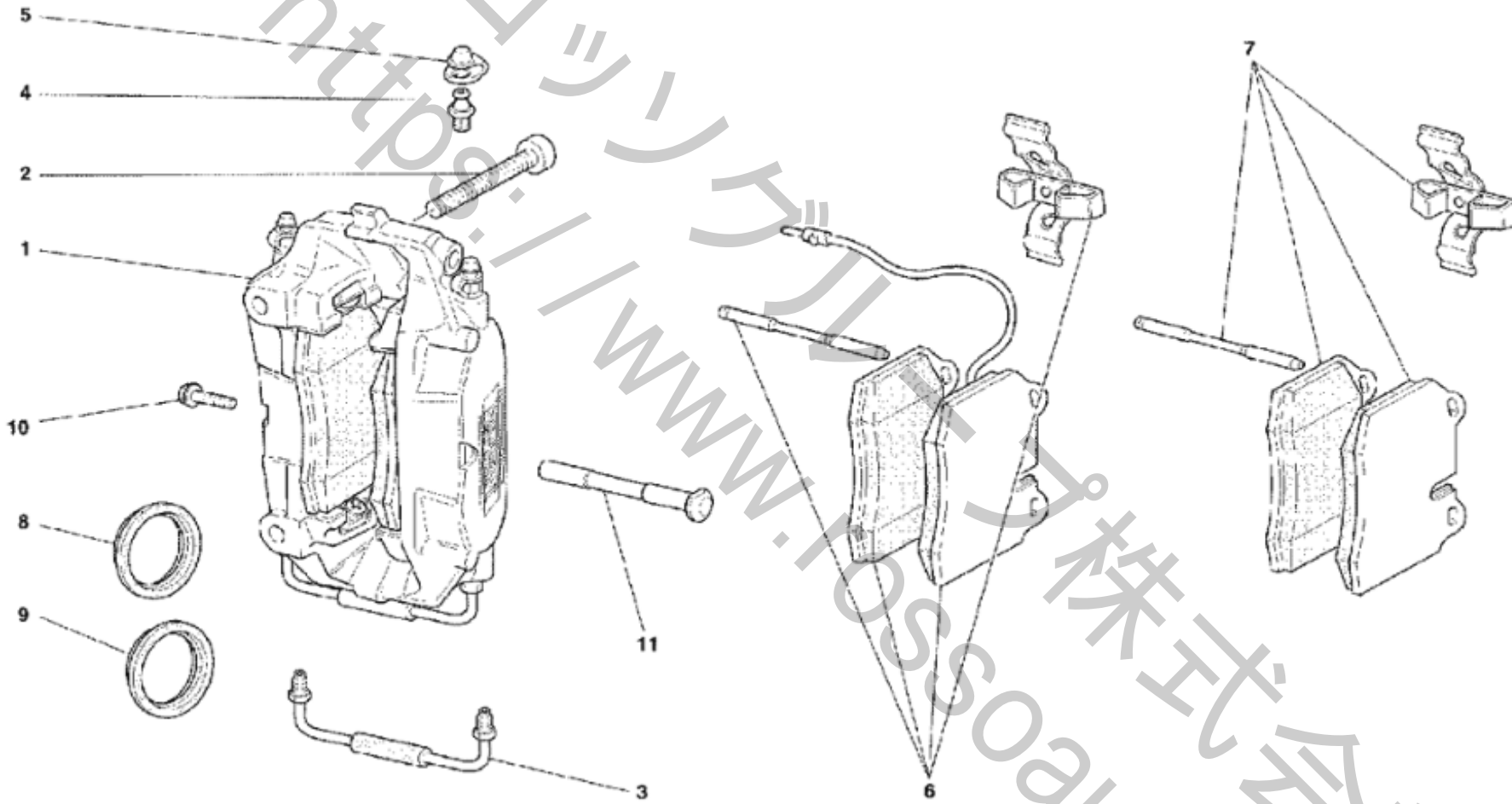
<036 Brake System>



<036 Brake System>

No.	Part No.	Name	Qty
1	194608	ABS/ASR HYDRAULIC/ELECTRONIC CONTROL STATION	1
1	221252	ABS/ASR HYDRAULIC/ELECTRONIC CONTROL STATION	1
2	203603	CONTROL STATION SUPPORTING BRACKET	1
3	197149	ANTI VIBRATIONS	1
4	193877	FIXING CLIP	2
5	169476	CLIP	4
6	194602	BRAKE PIPE FROM FRONT PUMP TO CONTROL STATION	1
7	194601	BRAKE PIPE FROM REAR PUMP TO CONTROL STATION	1
8	194603	PIPE FROM CONTROL STATION TO L.H. INTERMEDIATE PIPE	1
9	194604	PIPE FROM CONTROL STATION TO R.H. INTERMEDIATE PIPE	1
10	194605	PIPE FROM CONTROL STATION TO INTERMEDIATE PIPE	1
11	194606	PIPE FROM CONTROL STATION TO R.H. FRONT BRAKE PIPE	1
12	116373	FRONT HOSE	2
13	205294	PIPE TO L.H. FRONT BRAKE	1
13	205293	PIPE TO R.H. FRONT BRAKE	1
14	205295	INTERMEDIATE PIPE	1
15	11625724	SCREW WITH WASHER	6
16	205093	PIPE TO R.H. REAR HOSE	1
17	205094	PIPE TO L.H. REAR HOSE	1
18	271712	REAR HOSE	2
19	207278	BRAKES PIPES FIXING BRACKET	1
20	10902424	SCREW	2
21	127494	WASHER	2
22	12644424	WASHER	2
23	169476	CLIP	2
24	116374	CLIP	8
25	178938	SUPPORT FOR CABLE	2
26	10902024	SCREW	2
27	12605374	WASHER	2
28	185283	REAR SUPPORT	2
29	101139	NUT	1
30	12638524	WASHER	1
31	177778	NUT	1
32	127496	WASHER	1
33	12638524	WASHER	1

<037 Calipers for Front and Rear Brakes>



<037 Calipers for Front and Rear Brakes>

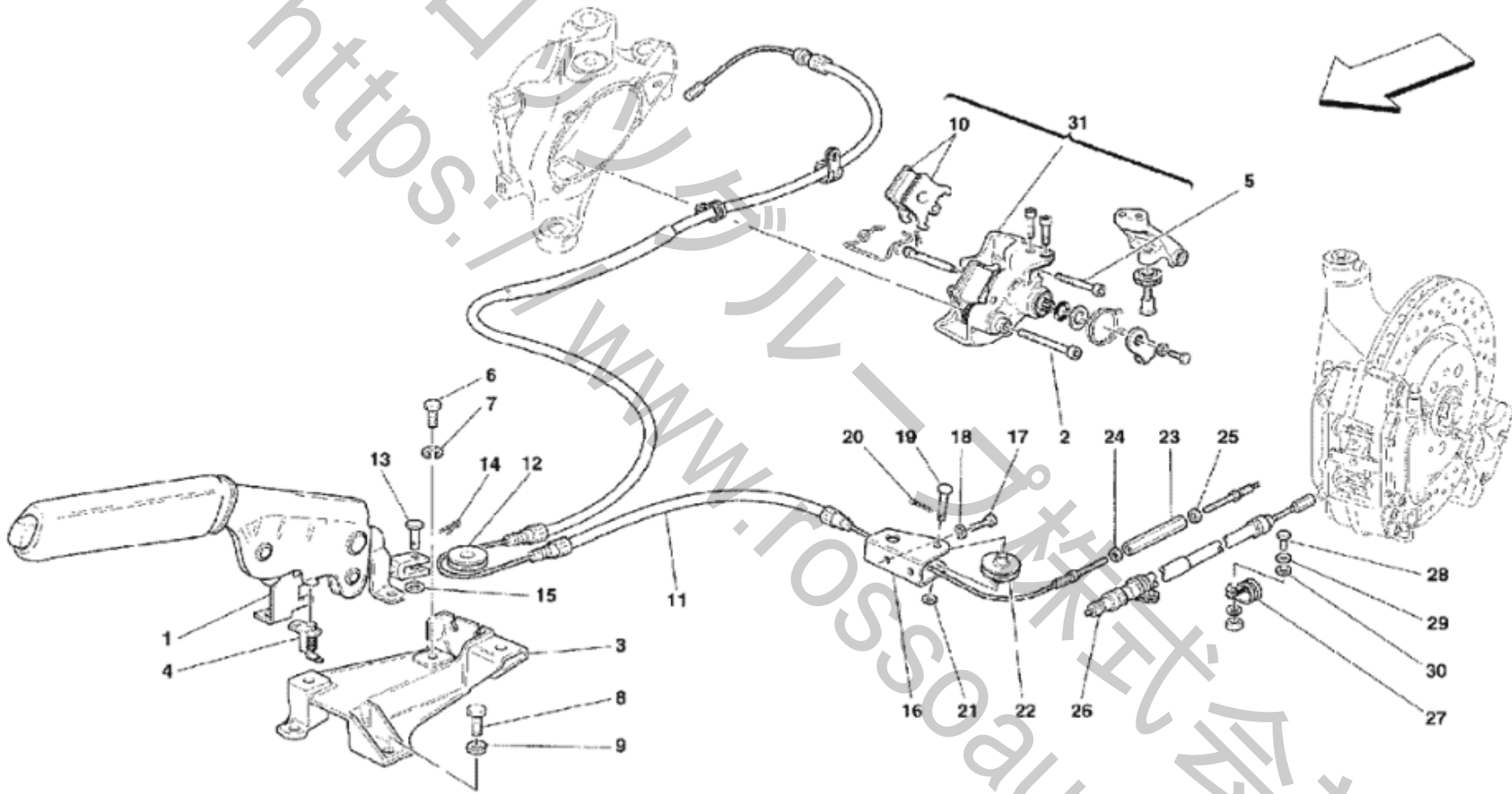
No.	Part No.	Name	Qty
1	228023	L.H. FRONT CALIPER UNIT WITH PADS	1
1	228001	L.H. FRONT CALIPER UNIT WITH PADS	1
1	210740	L.H. FRONT CALIPER UNIT WITH PADS	1
1	210708	L.H. FRONT CALIPER UNIT WITH PADS	1
1	164216	L.H. FRONT CALIPER UNIT WITH PADS	1
1	210753	L.H. FRONT CALIPER UNIT WITH PADS	1
1	210714	L.H. FRONT CALIPER UNIT WITH PADS	1
1	210712	L.H. FRONT CALIPER UNIT WITH PADS	1
1	210710	L.H. FRONT CALIPER UNIT WITH PADS	1
1	210745	L.H. FRONT CALIPER UNIT WITH PADS	1
1	165862	L.H. REAR CALIPER UNIT WITH PADS	1
1	193772	L.H. REAR CALIPER UNIT WITH PADS	1
1	210721	L.H. REAR CALIPER UNIT WITH PADS	1
1	210725	L.H. REAR CALIPER UNIT WITH PADS	1
1	210755	L.H. REAR CALIPER UNIT WITH PADS	1
1	228011	L.H. REAR CALIPER UNIT WITH PADS	1
1	210719	L.H. REAR CALIPER UNIT WITH PADS	1
1	210723	L.H. REAR CALIPER UNIT WITH PADS	1
1	179602	L.H. REAR CALIPER UNIT WITH PADS	1
1	210716	L.H. REAR CALIPER UNIT WITH PADS	1
1	210707	R.H. FRONT CALIPER UNIT WITH PADS	1
1	210705	R.H. FRONT CALIPER UNIT WITH PADS	1
1	210743	R.H. FRONT CALIPER UNIT WITH PADS	1
1	210711	R.H. FRONT CALIPER UNIT WITH PADS	1
1	210709	R.H. FRONT CALIPER UNIT WITH PADS	1
1	210752	R.H. FRONT CALIPER UNIT WITH PADS	1
1	210713	R.H. FRONT CALIPER UNIT WITH PADS	1
1	210741	R.H. FRONT CALIPER UNIT WITH PADS	1
1	228000	R.H. FRONT CALIPER UNIT WITH PADS	1
1	193770	R.H. REAR CALIPER UNIT WITH PADS	1
1	210715	R.H. REAR CALIPER UNIT WITH PADS	1
1	228038	R.H. REAR CALIPER UNIT WITH PADS	1
1	165861	R.H. REAR CALIPER UNIT WITH PADS	1
1	179605	R.H. REAR CALIPER UNIT WITH PADS	1
1	228020	R.H. REAR CALIPER UNIT WITH PADS	1
1	210720	R.H. REAR CALIPER UNIT WITH PADS	1

1	228042 R.H. REAR CALIPER UNIT WITH PADS	1
1	179603 R.H. REAR CALIPER UNIT WITH PADS	1
1	228044 R.H. REAR CALIPER UNIT WITH PADS	1
2	175947 SCREW	8
2	195167 SCREW	4
2	196837 SCREW	4
3	182123 FRONT CONNECTION PIPE	2
3	198012 REAR CONNECTION PIPE	2
4	152954 UNION WITH EXHAUST VALVE	4
5	152955 PROTECTION BOOT	4
6	70001085 KIT OF FRONT PADS WITH SPRING	1
6	70001086 KIT OF FRONT PADS WITH SPRING	1
7	70001087 KIT OF REAR PADS WITH SPRING	1
7	70000936 KIT OF REAR PADS WITH SPRING	1
8	182122 CAP FOR CYLINDER Ø 42	4
9	182121 CAP FOR CYLINDER Ø 38	4
10	198014 FLANGED SCREW	2
11	198015 TIE ROD	2

<http://www.rossoauto.com>

 株式会社

<038 Hand-Brake Control>

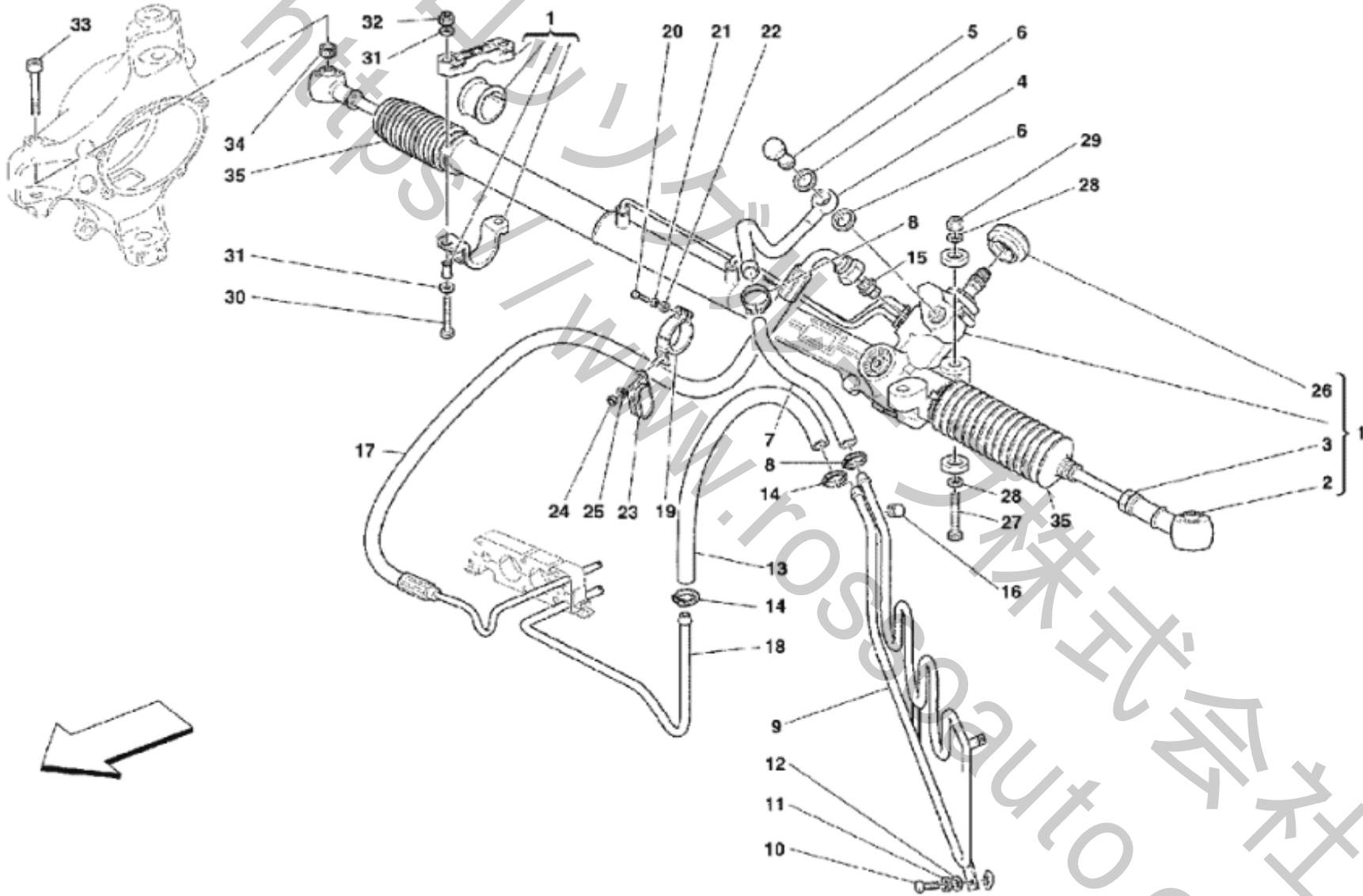


<https://www.rossi-auto.com>

<038 Hand-Brake Control>

No.	Part No.	Name	Qty
1	80769100	HAND BRAKE LEVER	1
2	14308424	SCREW	1
3	207655	LEVER FOR SHAFT FIXING	1
4	176118	MICRO SWITCH	1
5	14308924	SCREW	1
6	16043224	SCREW	2
7	127496	WASHER	2
8	16043434	SCREW	2
9	127496	WASHER	2
10	70000937	KIT OF HAND BRAKES PADS WITH SPRING	1
11	256606	R.H. REAR CABLE	1
12	122091	PULLEY FOR CABLE	1
13	10050814	PIVOT	1
14	10734208	SPLIT PIN	1
15	14496524	WASHER	1
16	176245	BRACKET FOR CABLE FIXING	1
17	10902024	SCREW	2
18	12605374	WASHER	2
19	10041214	PIVOT	1
20	10734208	SPLIT PIN	1
21	14496524	WASHER	1
22	176261	PULLEY FOR CABLE	1
23	10091014	ADJUSTMENT SLEEVE	1
24	10725914	NUT	1
25	10727314	NUT	1
26	256605	L.H. REAR CABLE	1
27	10441390	BRACKET WITH SHEATH	5
28	10902224	SCREW	3
29	12605374	WASHER	3
30	12644424	WASHER	3
31	228021	L.H. CALIPER FOR HAND BRAKE	1
31	175921	R.H. CALIPER FOR HAND BRAKE	1
31	228022	R.H. CALIPER FOR HAND BRAKE	1

<039 Hydraulic Steering Box and Serpentine>



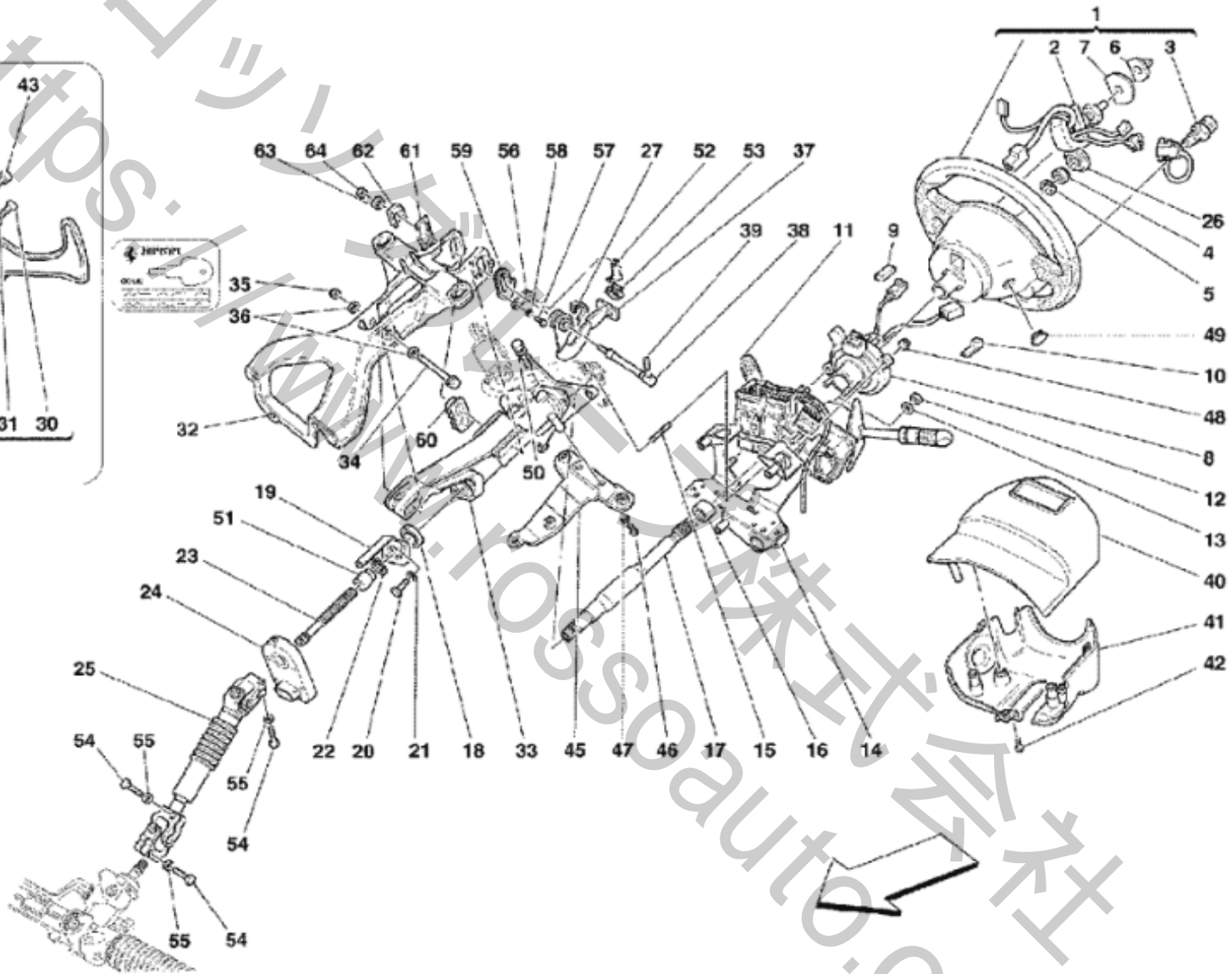
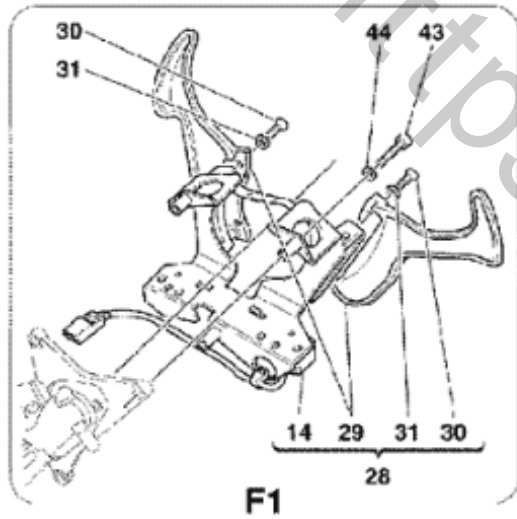
<039 Hydraulic Steering Box and Serpentine>

No.	Part No.	Name	Qty
1	196171	RACK STEERING BOX WITH POWER STEERING	1
1	196172	RACK STEERING BOX WITH POWER STEERING	1
2	181882	BALL TIE ROD	2
3	10791324	NUT	2
4	211764	SWINGING UNION	1
4	177943	SWINGING UNION	1
5	10185111	UNION	1
6	10280060	GASKET	2
7	212706	RUBBER HOSE	1
7	219300	RUBBER HOSE	1
8	161490	SCREW COLLAR	2
8	13430770	SCREW COLLAR	2
9	205071	REFRIGERATING COIL	1
9	214738	REFRIGERATING COIL	1
10	16286324	SCREW	1
10	10902124	SCREW	3
11	12601274	WASHER	4
12	10519424	WASHER	4
13	209868	RUBBER HOSE	1
13	209868	RUBBER HOSE	1
14	161490	SCREW COLLAR	2
15	201706	THREADED UNION	1
16	166730	SPACER	1
17	211536	L.H. DELIVERY PIPE FROM UNION TO STEERING BOX	1
18	202552	RETURN PIPE UNDER THE FLOOR	1
19	177631	PIPES FIXING BRACKET	2
20	10902424	SCREW	2
21	127494	WASHER	2
22	12639724	WASHER	2
23	10441690	BRACKET WITH SHEATH	2
24	102948	NUT	2
25	12639724	WASHER	2
26	171519	COMPLETE RING	1
27	16237174	SCREW	2
28	14496624	WASHER	4
29	102742	NUT	2

30	16237074	SCREW	2
31	14496624	WASHER	4
32	102742	NUT	2
33	179556	SCREW	2
34	179555	COMPENSATOR RING	2
35	70000948	BELLOWS REPLACEMENT KIT	1

ロッシオーター株式会社
<https://www.rossoauto.com>

<040 Steering Column>

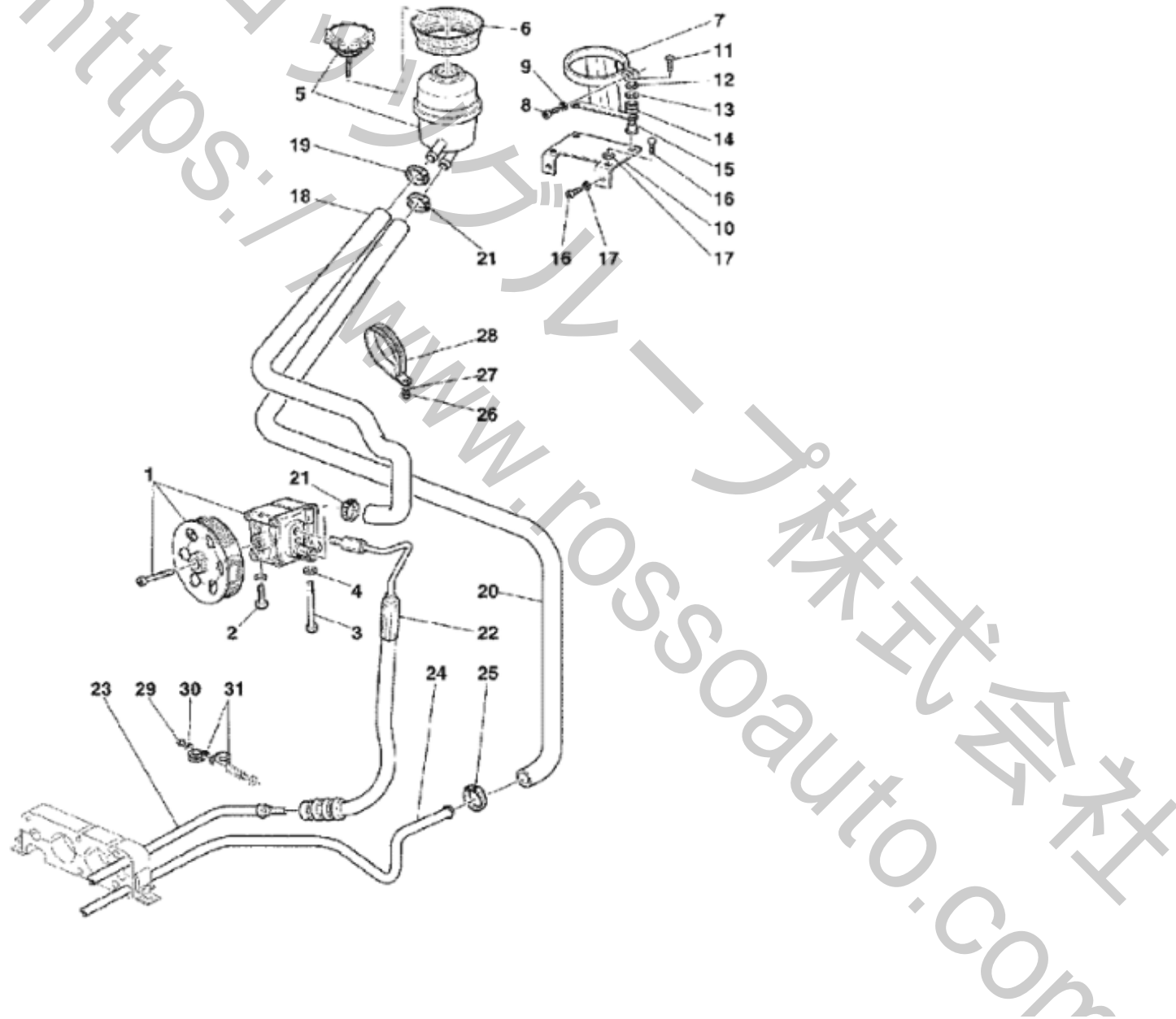


<040 Steering Column>

No.	Part No.	Name	Qty
1	689389..	COMPLETE AIR BAG STEERING WHEEL	1
1	80898100	COMPLETE AIR BAG STEERING WHEEL	1
1	80898200	COMPLETE AIR BAG STEERING WHEEL	1
2	212752	DRIVING MODE SWITCH	1
3	213048	ENGINE START SWITCH	1
4	199222	NUT	1
5	152034	WASHER	1
6	210986	LEVER	1
7	210988	SILK SCREEN PRINTING	1
8	213671	SPIRAL CONTACT	1
9	163816	RESISTOR FOR SPIRAL CONTACT	1
10	135355	CONNECTOR	1
11	177585	UNHOOK DEVIATION ASSEMBLY	1
12	15896470	NUT	2
13	12601174	WASHER	2
14	203317	BRACKET SUPPORTING SPIRAL CONTACT	1
14	204155	BRACKET SUPPORTING SPIRAL CONTACT	1
15	11001424	STUD	2
16	199094	ROLLER BEARING	1
17	197701	COLUMN UPPER SHAFT	1
18	171540	BALL BEARING	1
19	201016	BRACKET SUPPORTING STEERING ANGLE SENSOR	1
20	10902224	SCREW	2
21	11181874	WASHER	2
22	11067376	SEGER RING	1
23	183993	COLUMN LOWER SHAFT	1
24	190405	STEERING ANGLE SENSOR	1
25	171528	STEERING CARDANIC TRASMISSION	1
26	199406	PLUG	1
27	171531	PIN RETAINING SPRING	1
28	226099	F1 GEARBOX CONTROL LEVERS ASSEMBLY	1
29	226099	COUPLE LEVERS	1
29	222134	COUPLE LEVERS	1
30	13308977	SCREW	4
31	12606673	WASHER	4
32	197702	STEERING COLUMN SUPPORT BRACKET	1

33	197700 COLUMN SUPPORT	1
34	180632 SCREW	1
35	104030 NUT	1
36	12625224 WASHER	2
37	659933.. COVERED LEVER	1
38	171503 PIN FOR LEVER	1
39	10336630 PIN	1
40	68097900 UPPER COVER	1
40	68098200 UPPER COVER	1
41	68161600 LOWER COVER	1
41	65310600 LOWER COVER	1
42	15960507 SCREW	5
43	13274611 SCREW	3
44	12601174 WASHER	3
45	65164200 BRACKET	1
46	13274177 SCREW	3
47	12637878 WASHER	3
48	61002200 NUT	2
49	185486 PLUG	2
50	172563 ANTITHEFT FIXING SCREW	1
51	200970 RING NUT	1
52	177977 SMALL PLATE	1
53	178430 FIXING CLIP	1
54	192229 HEXAGONAL SCREW	3
55	129230 WASHER	3
56	171523 PLATE	1
57	10977724 SCREW	2
58	11181574 WASHER	2
59	171544 LEVER SIDE GUIDE SHOE	1
60	171501 FIXED TENSION SLIDE	1
61	171502 SPRING FOR GUIDE SHOE	1
62	171529 MOBILE GUIDE SHOE	1
63	171542 NUT	1
64	147985 NUT	1

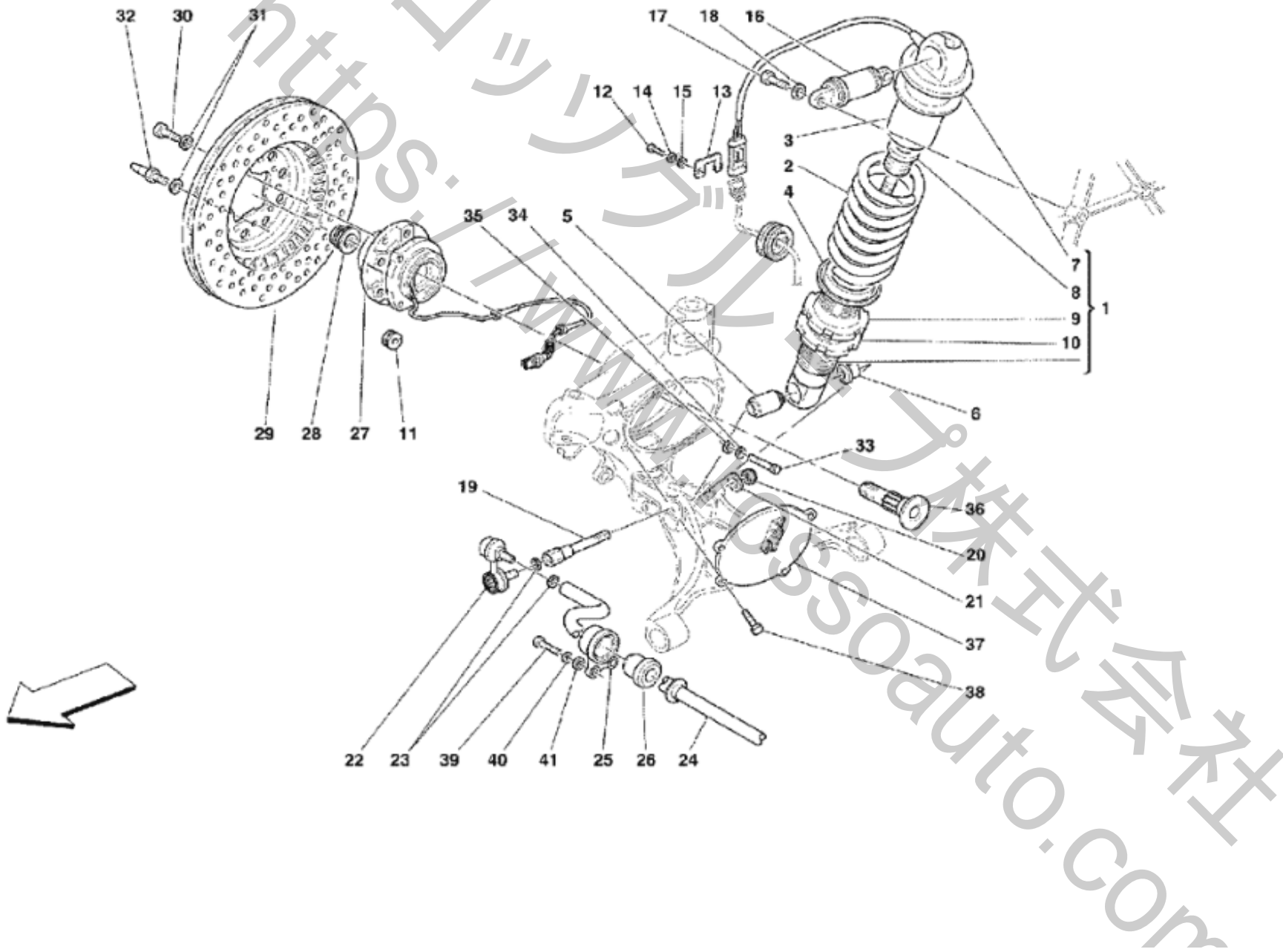
<041 Hydraulic Steering Pump and Tank>



<041 Hydraulic Steering Pump and Tank>

No.	Part No.	Name	Qty
1	198680	COMPLETE HYDRAULIC PUMP	1
2	198519	SCREW	1
3	180604	SCREW	1
4	11193874	WASHER	2
5	170877	OIL TANK FOR SERVOSTEERING	1
6	179301	RUBBER RING	1
7	184137	UPPER BRACKET	1
8	10902124	SCREW	1
9	12601274	WASHER	1
10	195428	LOWER BRACKET	1
11	10902524	SCREW	2
12	11197774	WASHER	2
13	12643724	WASHER	2
14	103549	CABLE GROMMET	2
15	149707	SPACER	2
16	10902324	SCREW	4
17	11197774	WASHER	4
18	196892	PIPE FROM TANK TO PUMP	1
19	177996	CLAMP	1
20	211916	DELIVERY PIPE FROM PUMP TO UNION	1
21	178051	CLAMP	2
22	214668	DELIVERY PIPE FROM PUMP TO UNDER FLOOR PIPE	1
23	211536	L.H. DELIVERY PIPE FROM UNION TO STEERING BOX	1
24	202552	RETURN PIPE UNDER THE FLOOR	1
25	178051	CLAMP	1
26	102741	NUT	1
27	14499324	WASHER	1
28	124034	BRACKET WITH SHEATH	1
29	10902124	SCREW	1
30	14488624	WASHER	1
31	10441390	BRACKET WITH SHEATH	2
32	229765	BRACKET FOR FUEL FIXING	1

<042 Front Suspension - Shock Absorber and Brake Disc>



<042 Front Suspension - Shock Absorber and Brake Disc>

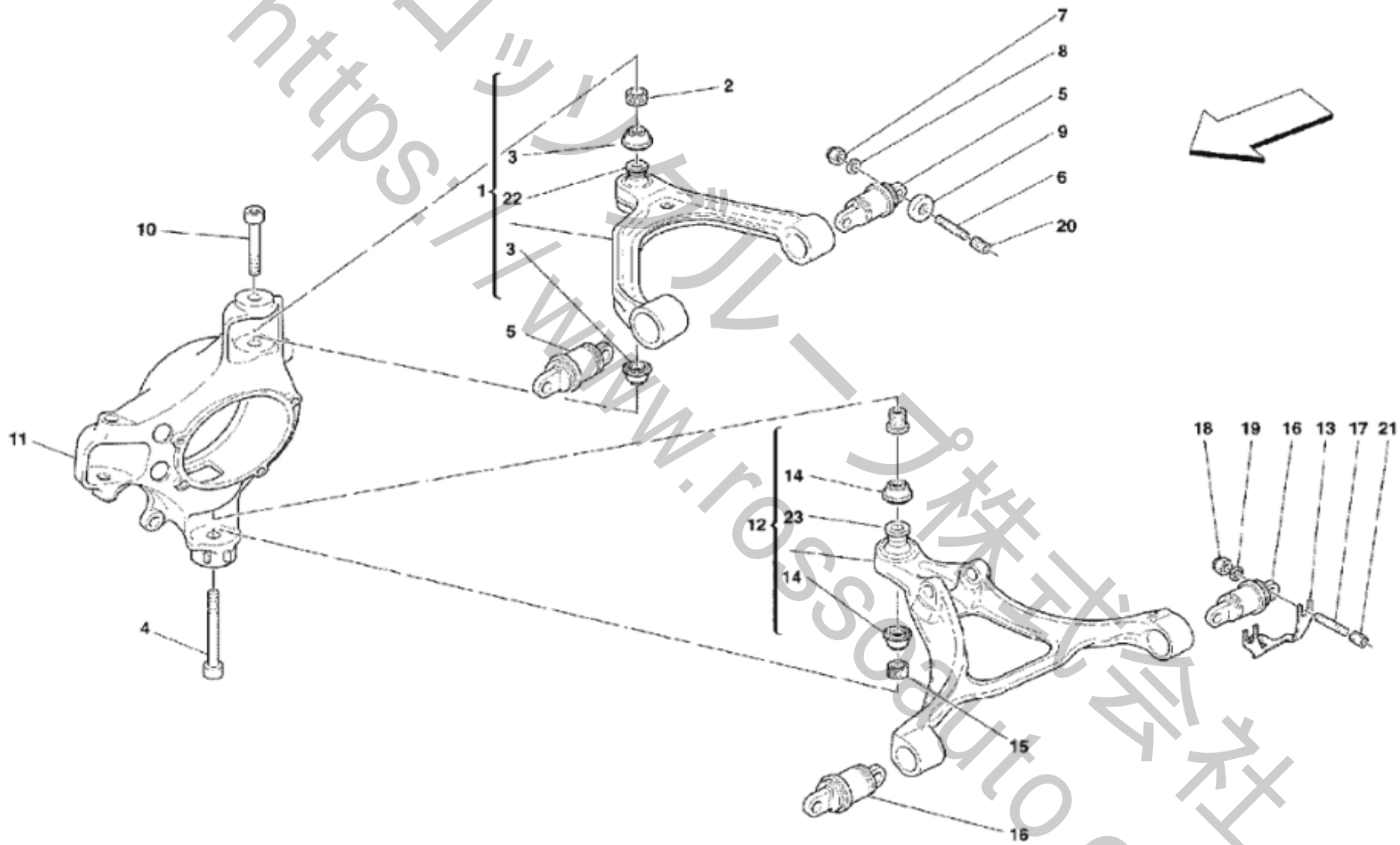
No.	Part No.	Name	Qty
1	213396	FRONT SHOCK ABSORBER	2
2	190676	SPRING	2
3	177688	UPPER SPACER	2
4	169684	LOWER SPACER	2
5	157630	SILENT BLOCK BUSH	2
6	193492	SPACER	2
7	174727	SPRING RETAINING UPPER SPACER	2
8	174728	SHOCK ABSORBER PAD	2
9	174725	SPACER	2
10	174726	RING NUT	2
11	10460287	RUBBER RING	2
12	10902024	SCREW	2
13	162606	CLIP	2
14	127494	WASHER	2
15	12643724	WASHER	2
16	212948	SILENTBLOCK	2
17	11306934	SCREW	4
18	160092	WASHER	4
19	204977	SCREW	2
20	14058721	NUT	2
21	155002	WASHER	2
22	162619	L.H. BALL TIE ROD	1
22	162620	R.H. BALL TIE ROD	1
23	160092	WASHER	4
24	170715	FRONT ANTI-ROLL BAR	1
25	203607	ANTI ROLL BAR SUPPORT	2
26	170588	BAR BUFFER	2
27	194134	HUB COMPLETE BEARING	2
28	209184	NUT	2
29	213484	FRONT BRAKE DISC	2
29	240531	FRONT BRAKE DISC	2
30	16043424	SCREW	2
31	127496	WASHER	4
32	104370	BRAKE DISC FIXING SCREW	2
33	180591	SCREW	8
34	160092	WASHER	8

35	10732414 WASHER	8
36	180542 BEARING FIXING PIN	2
37	196940 L.H. STEERING KNUCKLE COVER	1
37	196939 R.H. STEERING KNUCKLE COVER	1
38	11625724 SCREW	8
39	16043424 SCREW	4
40	178341 WASHER	4
41	12638524 WASHER	4

<https://www.rossoauto.com>

 ロッソ自動車株式会社

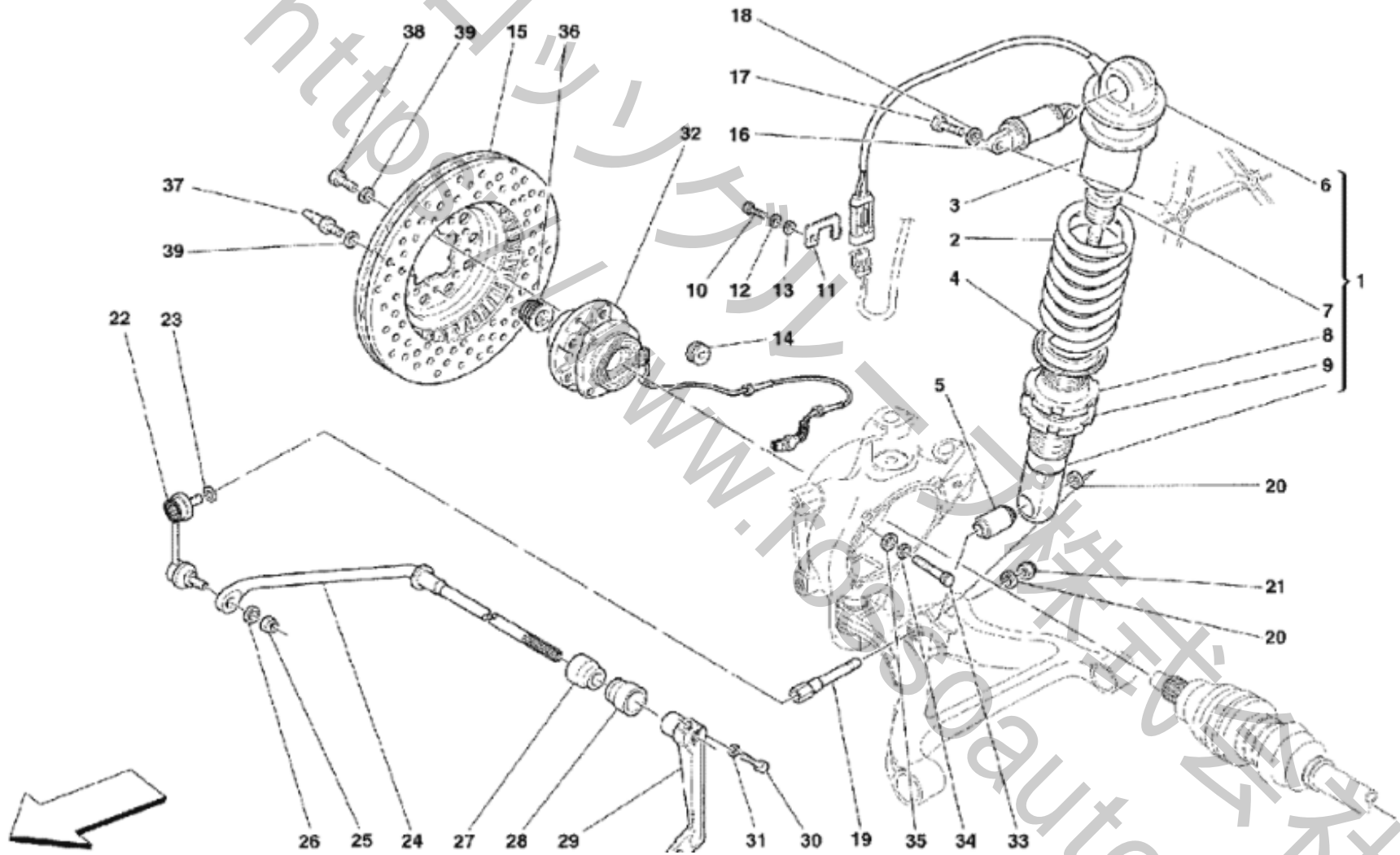
<043 Front Suspension - Wishbones>



<043 Front Suspension - Wishbones>

No.	Part No.	Name	Qty
1	200945	FRONT UPPER LEVER	2
2	179555	UPPER LEVER COMPENSATOR RING	2
3	171848	BOOT	4
4	181598	SCREW	2
5	184610	FLAMBLOC	4
6	170155	THREADED BAR	8
7	104030	NUT	8
8	14496524	WASHER	8
9	12628904	WASHER	8
10	179556	SCREW	2
11	179330	L.H. FRONT STEERING KNUCKLE	1
11	179328	R.H. FRONT STEERING KNUCKLE	1
12	200940	LOWER LEVER	2
13	178852	ADJUSTING PLATE	4
13	186944	ADJUSTING PLATE	4
13	178853	ADJUSTING PLATE	4
13	186943	ADJUSTING PLATE	4
13	178851	ADJUSTING PLATE	4
13	178940	ADJUSTING PLATE	4
14	171847	BOOT	4
15	179554	LOWER LEVER COMPENSATOR RING	2
16	184609	FLAMBLOC	4
17	170154	THREADED BAR	8
18	104114	NUT	8
19	14496624	WASHER	8
20	13582271	THREADED INSERT	8
21	13582310	THREADED INSERT	8
22	203633	UPPER BALL JOINT	2
23	203632	LOWER BALL JOINT	2
24	184241	HYSOL EA9360 ADHESIVE BALL JOINT GLUE	1

<044 Rear Suspension - Shock Absorber and Brake Disc>



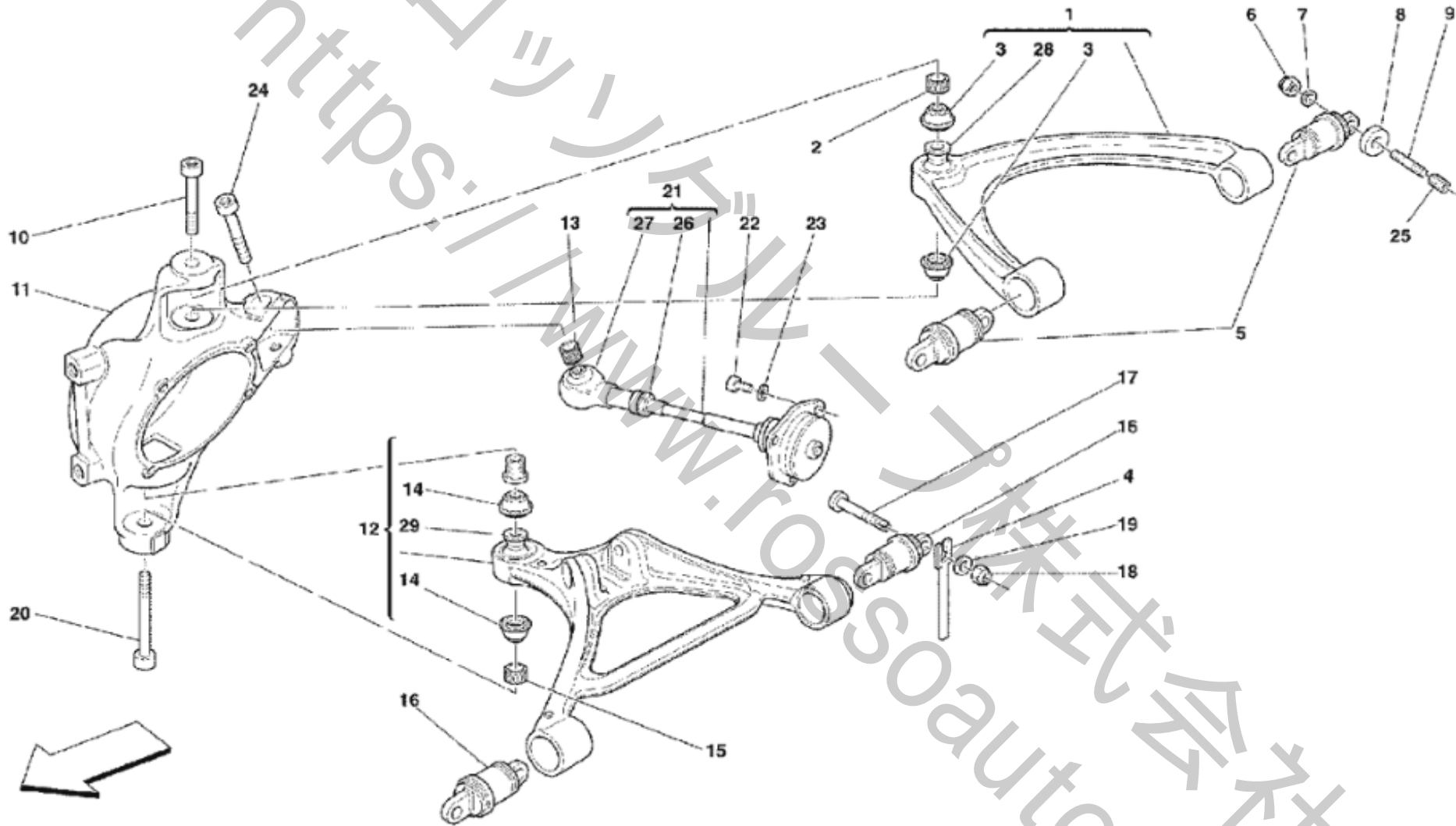
<044 Rear Suspension - Shock Absorber and Brake Disc>

No.	Part No.	Name	Qty
1	212543	REAR SHOCK ABSORBER	2
2	190677	SPRING	2
3	177688	UPPER SPACER	2
4	169684	LOWER SPACER	2
5	157630	SILENT BLOCK BUSH	2
6	174727	SPRING RETAINING UPPER SPACER	2
7	174728	SHOCK ABSORBER PAD	2
8	174725	SPACER	2
9	174726	RING NUT	2
10	10902024	SCREW	2
11	162606	CLIP	2
12	127494	WASHER	2
13	12643724	WASHER	2
14	10460287	RUBBER RING	2
15	213484	REAR BRAKE DISC	2
15	202180	REAR BRAKE DISC	2
15	222340	REAR BRAKE DISC	2
16	212948	SILENTBLOCK	2
17	11306934	SCREW	4
18	160092	WASHER	4
19	204974	SCREW	2
20	129225	WASHER	4
21	102825	NUT	2
22	161109	R.H. BALL TIE ROD	1
22	161110	L.H. BALL TIE ROD	1
23	160092	WASHER	2
24	210234	REAR ANTI ROLL BAR	1
25	12164714	NUT	2
26	12601474	WASHER	2
27	170716	BAR BUFFER	1
28	170717	BAR BUFFER	1
29	175861	L.H. ARM	1
30	170950	SCREW	1
31	12601474	WASHER	1
32	194134	HUB COMPLETE BEARING	2
33	180591	SCREW	8

34	160092 WASHER	8
35	10732414 WASHER	8
36	209184 NUT	2
37	104370 BRAKE DISC FIXING SCREW	2
38	16043424 SCREW	2
39	127496 WASHER	4

ロッシオーター株式会社
<https://www.rossoauto.com>

<045 Rear Suspension - Wishbones>



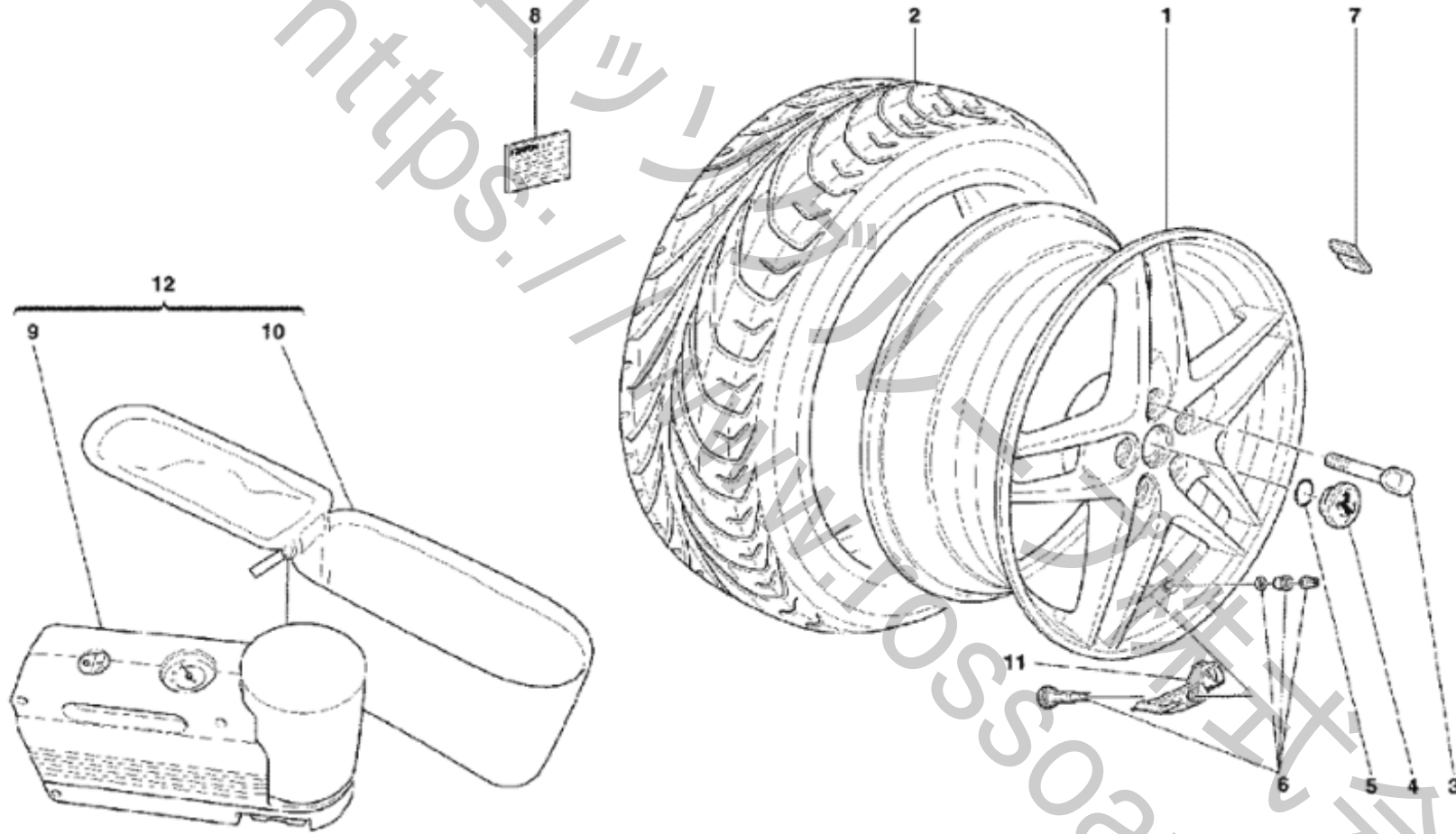
<045 Rear Suspension - Wishbones>

No.	Part No.	Name	Qty
1	200946	UPPER LEVER	2
2	179555	UPPER LEVER COMPENSATOR RING	2
3	171848	BOOT	4
4	175910	ADJUSTING PLATE TH. 1mm	6
4	178942	ADJUSTING PLATE TH. 1mm	2
4	175911	ADJUSTING PLATE TH. 2mm	6
4	178943	ADJUSTING PLATE TH. 2mm	2
4	178944	ADJUSTING PLATE TH. 3mm	2
4	175912	ADJUSTING PLATE TH. 3mm	6
4	178953	ADJUSTING PLATE TH. 4mm	6
4	178954	ADJUSTING PLATE TH. 4mm	2
4	215549	ADJUSTING PLATE TH. 5mm	6
4	215621	ADJUSTING PLATE TH. 5mm	2
5	184610	FLAMBLOC	4
6	104030	NUT	8
7	14496524	WASHER	8
8	12628904	WASHER	8
9	170155	THREADED BAR	8
10	179556	SCREW	2
11	179328	L.H. REAR STEERING KNUCKLE	1
11	179330	R.H. REAR STEERING KNUCKLE	1
12	200942	L.H. LOWER LEVER	1
12	200941	R.H. LOWER LEVER	1
13	179555	TIE ROD COMPENSATOR RING	2
14	171847	BOOT	4
15	179554	LOWER LEVER COMPENSATOR RING	2
16	184609	FLAMBLOC	4
17	182215	SCREW	8
18	104114	NUT	8
19	14496624	WASHER	8
20	181598	SCREW	2
21	194791	COMPLETE TIE ROD	2
22	14306224	SCREW	6
23	11194074	WASHER	6
24	179556	SCREW	2
25	13582271	THREADED INSERT	8

26	204248 NUT	2
27	194794 BALL TIE ROD	2
28	203633 UPPER BALL JOINT	2
29	203632 LOWER BALL JOINT	2
30	184241 HYSOL EA9360 ADHESIVE BALL JOINT GLUE	1

ロッシェオ自動車株式会社
<https://www.rossoauto.com>

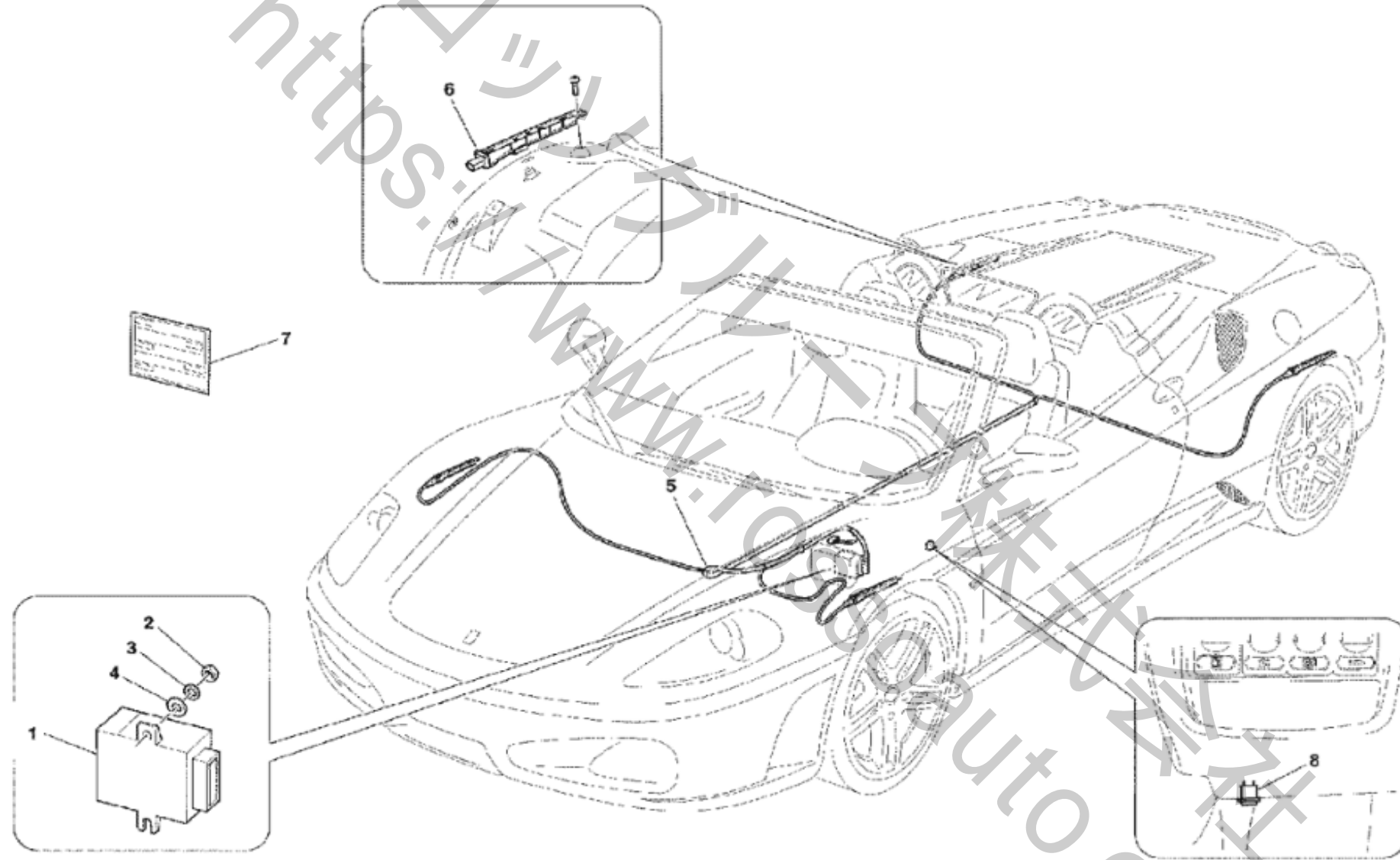
<046 Wheels>



<046 Wheels>

No.	Part No.	Name	Qty
1	194265	FRONT WHEEL RIM	2
1	217482	FRONT WHEEL RIM	2
1	217480	FRONT WHEEL RIM	2
1	217483	REAR WHEEL RIM	2
1	194266	REAR WHEEL RIM	2
1	217481	REAR WHEEL RIM	2
2	-	FRONT TYRE	1
2	-	REAR TYRE	1
3	70001200	TITANIUM WHEEL BOLT KIT	1
3	181291	WHEEL STUD	20
4	108947	WHEEL BADGE	4
4	226245	WHEEL BADGE	4
5	120065	O.R. GASKET	4
6	174166	VALVE	4
6	185328	VALVE	4
7	192934	COUNTER WEIGHT	1
8	200865	BRIDGESTONE TYRE PRESSURE PLATE	1
8	200867	GOOD YEAR TYRE PRESSURE PLATE	1
8	200866	MICHELIN TYRE PRESSURE PLATE	1
8	200864	PIRELLI TYRE PRESSURE PLATE	1
9	220754	TYRE REPAIR CYLINDER BOTTLE	1
9	220754	TYRE REPAIR CYLINDER BOTTLE	1
10	68926700	PORTFOLIO	1
11	224549	TYRE PRESSURE SENSOR	4
11	224548	TYRE PRESSURE SENSOR	4
12	68926600	TYRE REPAIR CYLINDER BOTTLE	1

<047 Tyres Pressure Control System>

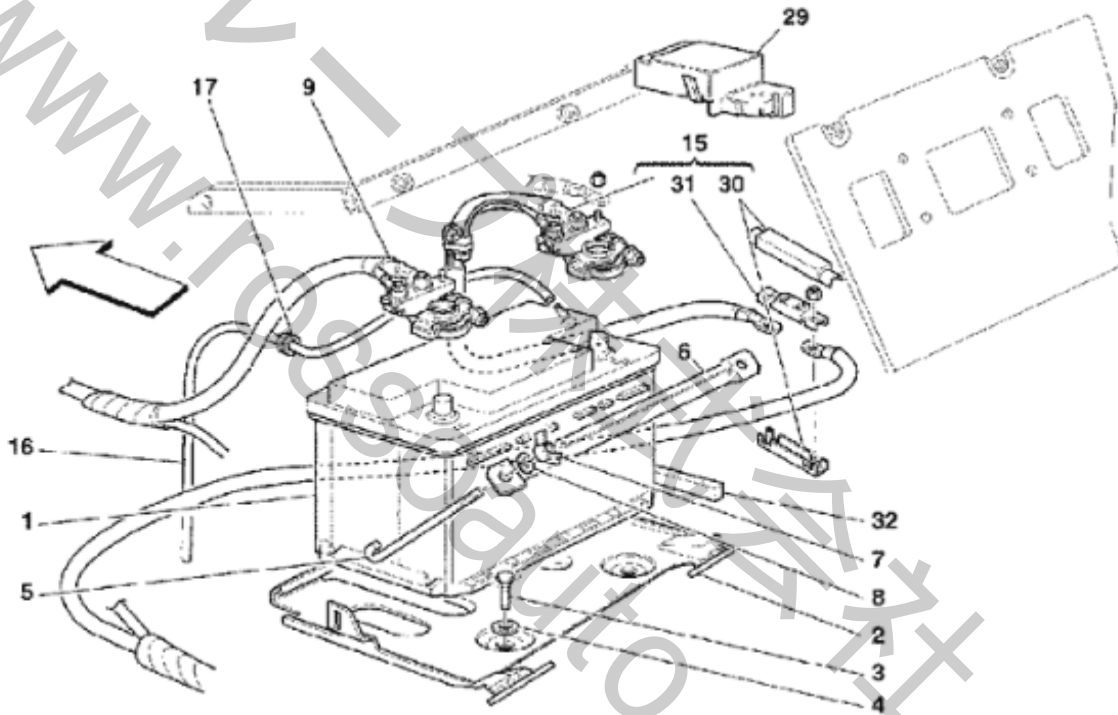
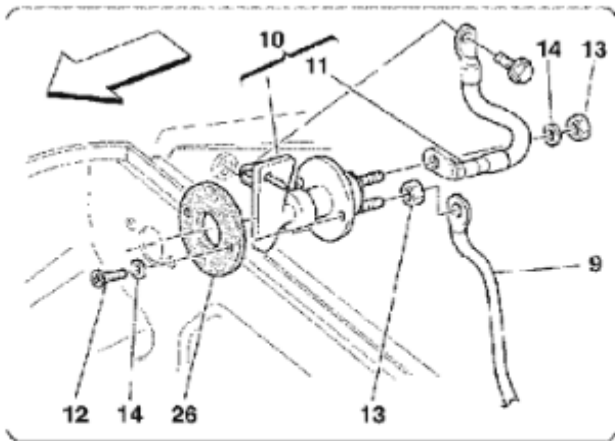
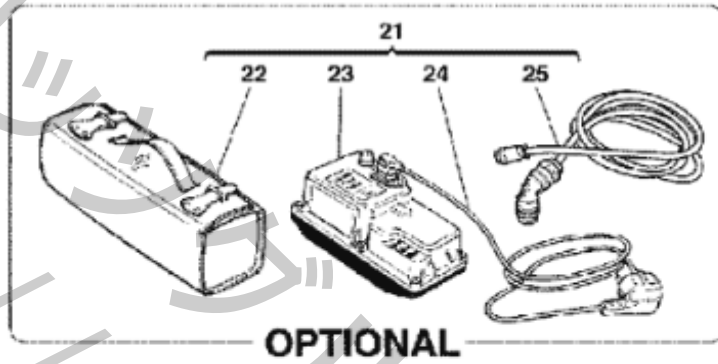
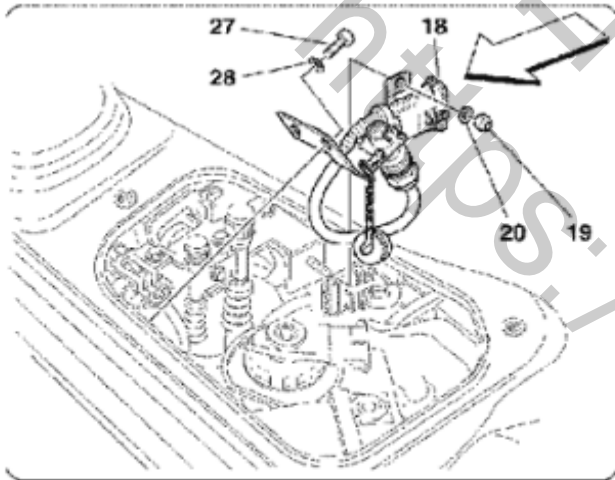


<047 Tyres Pressure Control System>

No.	Part No.	Name	Qty
1	211762	TYRES PRESSURE CONTROL STATION	1
2	113647	NUT	2
3	12638124	WASHER	2
4	14496324	WASHER	2
5	192787	TYRES PRESSURE CONTROL CABLES	1
6	185184	TYRES PRESSURE CONTROL ANTENNA	4
7	194621	SYSTEM TYRE PRESSURE PLATE	1
8	208848	TYRES PRESSURE CONTROL SYSTEM GAUGING SWITCH	1

<https://www.rossoauto.com> 株式会社

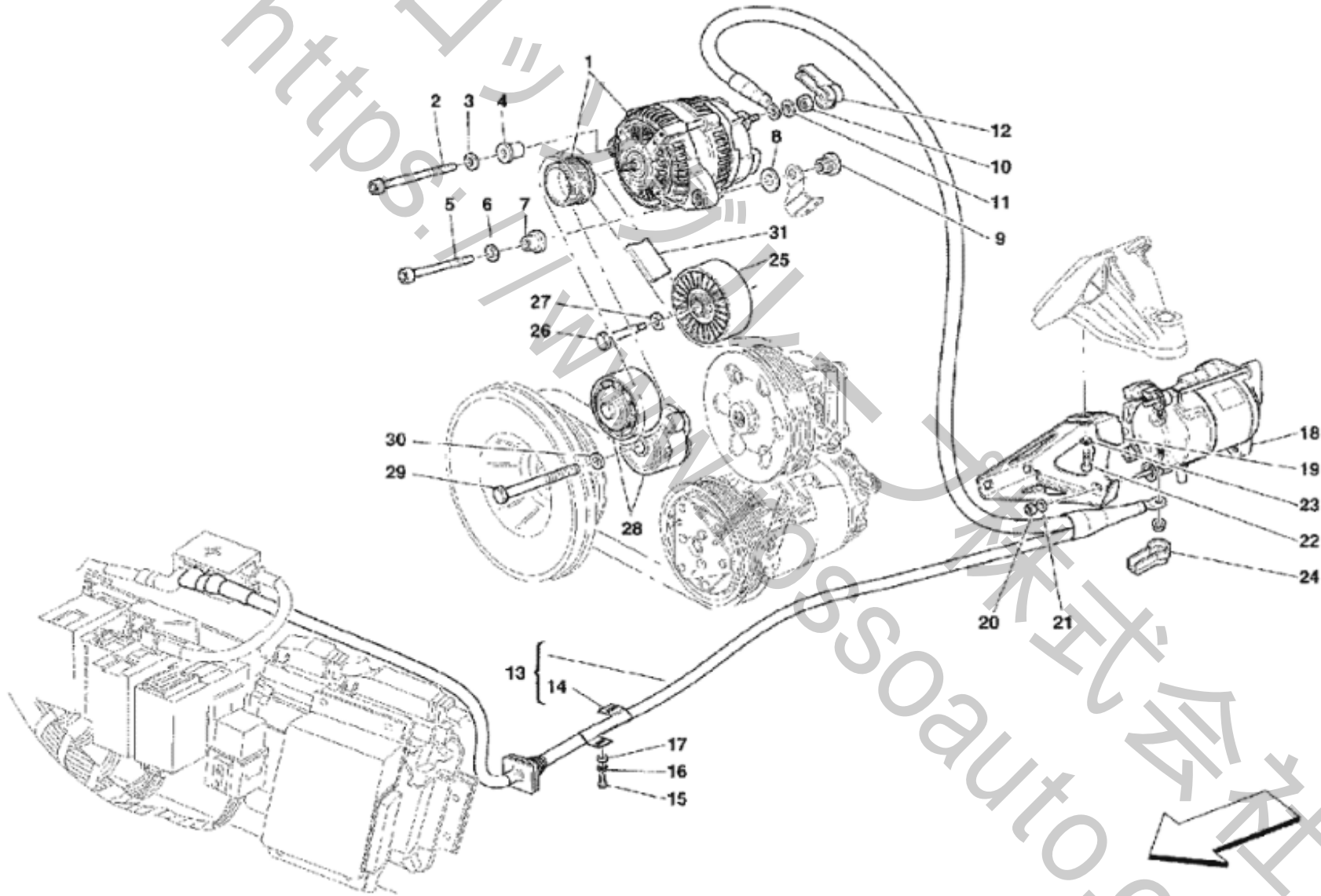
<048 Battery>



<048 Battery>

No.	Part No.	Name	Qty
1	214466	BATTERY 12V TYPE VR760	1
1	312188	BATTERY 12V TYPE VR760	1
2	67943100	BATTERY BIN	1
3	10902124	SCREW	3
4	12640624	WASHER	3
5	68138000	TIE ROD	2
6	69836200	BRACKET	1
7	102741	NUT	2
8	14499324	WASHER	2
9	208341	DASHBOARD CONNECTION CABLES	1
10	240470	CUT OUT SWITCH ASSEMBLY	1
11	196451	GROUND CABLE	1
12	13272472	SCREW	2
13	10721911	NUT	2
14	14496277	WASHER	4
15	198700	COMPLETE BATTERY POSITIVE CABLE	1
16	181056	BATTERY VENT PIPE	1
17	10396280	CABLE BUSHING	1
18	200857	BATTERY CHARGING CONNECTION CABLE	1
19	102741	NUT	1
20	10519424	WASHER	1
21	178682	BATTERY CHARGER KIT	1
22	65699200	BATTERY BAG CASE	1
23	177791	BATTERY CHARGER	1
24	177794	POWER SUPPLY CABLE	1
25	178676	CABLE WITH CONNECTOR	1
26	198207	GASKET	1
27	10902224	SCREW	1
28	12644424	WASHER	1
29	185418	PROTECTION COVER	1
30	198703	MEGA FUSE SUPPORT	1
31	198704	MEGA FUSE	1
32	217351	GASKET	1

<049 Current Generator - Starting Motor>



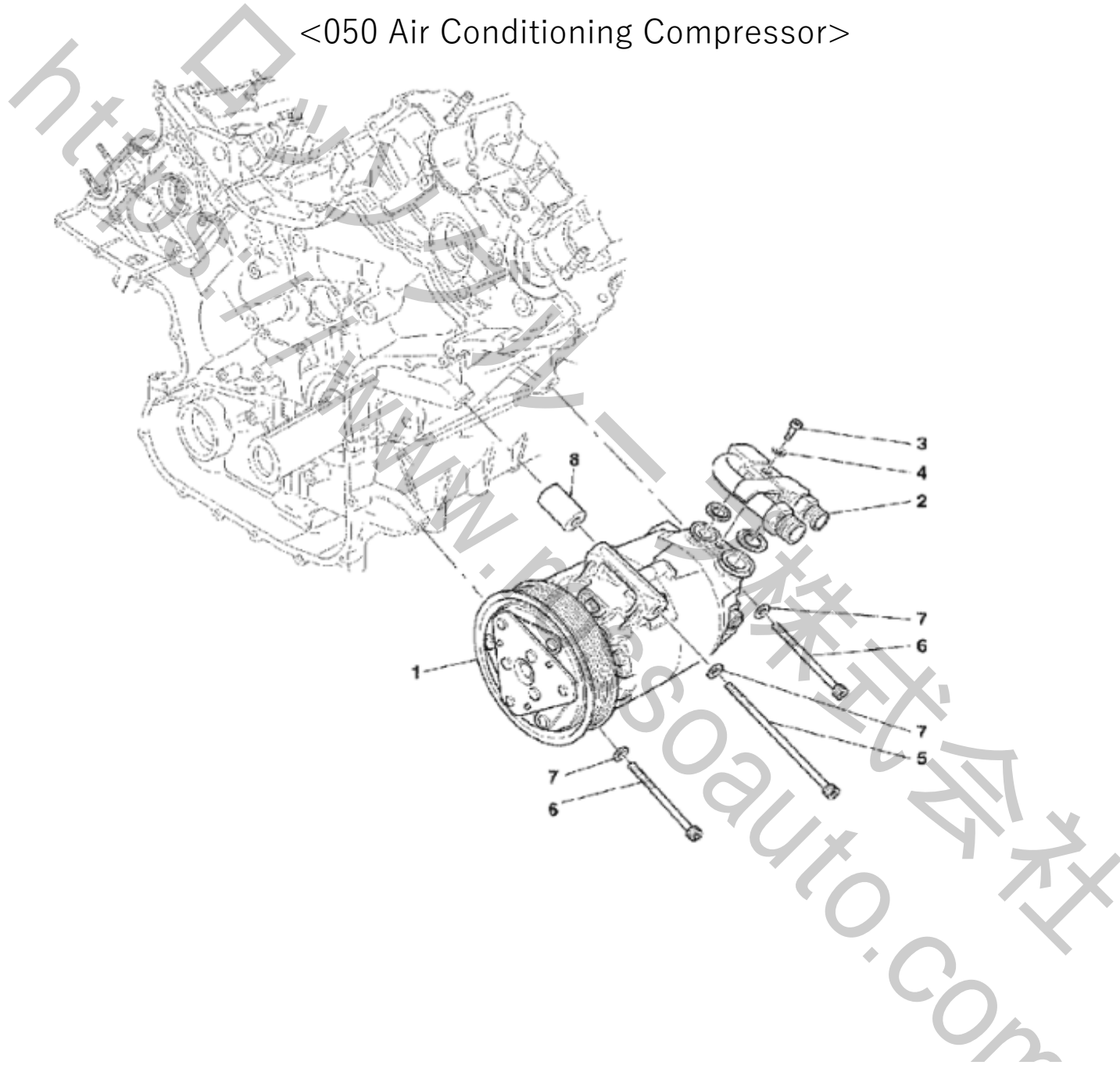
<049 Current Generator - Starting Motor>

No.	Part No.	Name	Qty
1	250367	150 A. ALTERNATOR	1
2	14308724	SCREW	1
3	10569474	WASHER	1
4	209278	BUSHING	1
5	14308224	SCREW	1
6	10569474	WASHER	1
7	164467	BUSHING	1
8	207423	WASHER	1
9	187143	THREADED BUSHING	1
10	16102314	NUT	1
11	12601374	WASHER	1
12	154803	PROTECTION BOOT	1
13	192534	COMPLETE CONNECTION CABLES FOR MOTOR UTILITIES	1
14	178356	BRACKET	1
15	10902324	SCREW	2
16	127494	WASHER	2
17	12644424	WASHER	2
18	180169	STARTER MOTOR	1
19	203104	STARTER MOTOR SUPPORTING BRACKET	1
19	222003	STARTER MOTOR SUPPORTING BRACKET	1
20	160472	NUT	2
21	61148700	WASHER	2
22	14302824	SCREW	3
23	11193874	WASHER	3
24	124683	PROTECTION BOOT	1
25	172537	BELT TIGHTENING PULLEY	1
25	227894	BELT TIGHTENING PULLEY	1
26	11234721	SCREW	1
26	11343821	SCREW	1
27	11190574	WASHER	1
27	13550424	WASHER	1
28	233644	BELT TIGHTENER	1
29	16044431	SCREW	1
30	11193874	WASHER	1
31	235315	BELT	1
32	215645	SPACER BUSHING	2

33	127493 WASHER	2
34	10569474 WASHER	1
35	226205 PULLEY	1
36	16043324 SCREW	1
37	11193974 WASHER	1
38	12647024 WASHER	1

ロッシオー
https://www.rossoauto.com 株式会社

<050 Air Conditioning Compressor>

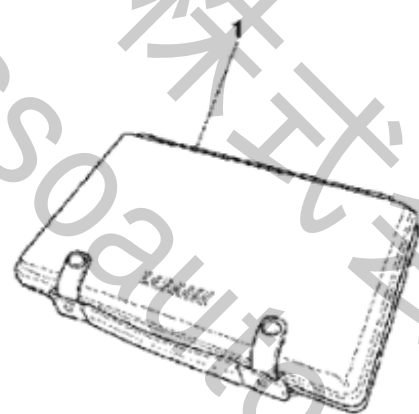
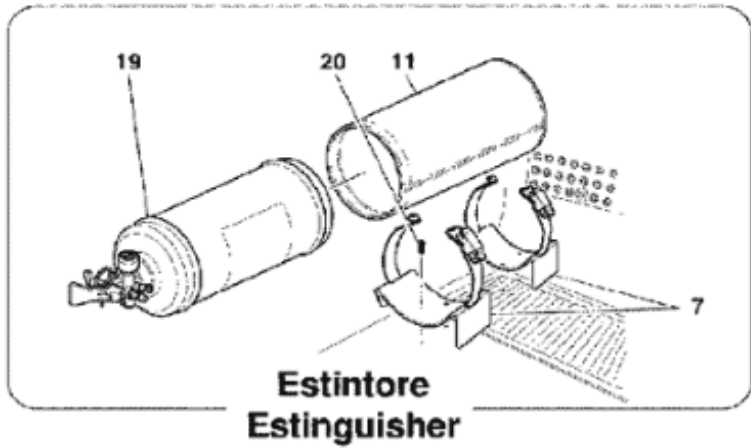
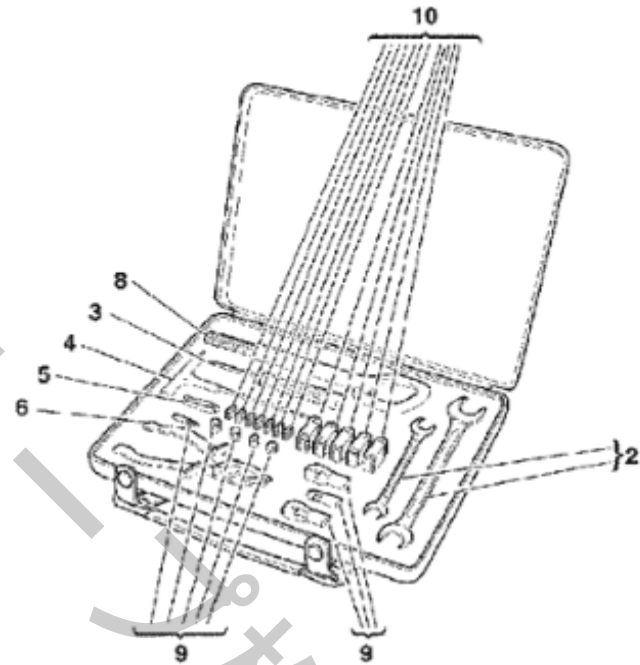
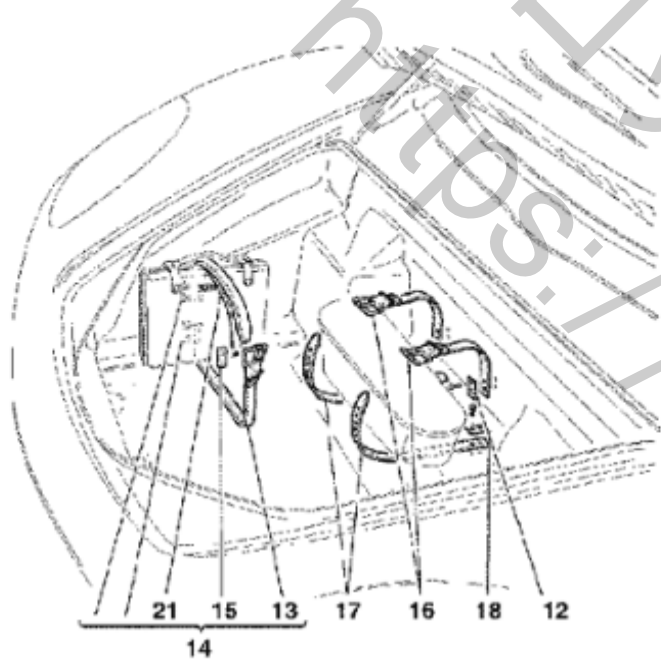


<050 Air Conditioning Compressor>

No.	Part No.	Name	Qty
1	241560	AIR CONDITIONING COMPRESSOR	1
1	263174	AIR CONDITIONING COMPRESSOR	1
2	68855300	FREON DISTRIBUTOR	1
3	14306424	SCREW	1
4	11193874	WASHER	1
5	175428	SCREW	1
6	14307124	SCREW	2
7	11193874	WASHER	3
8	141496	SPACER	1
9	67085400	O.R. GASKET	1
10	67085300	O.R. GASKET	1

<https://www.rossoauto.com> 株式会社

<051 Tools Equipment and Accessories>



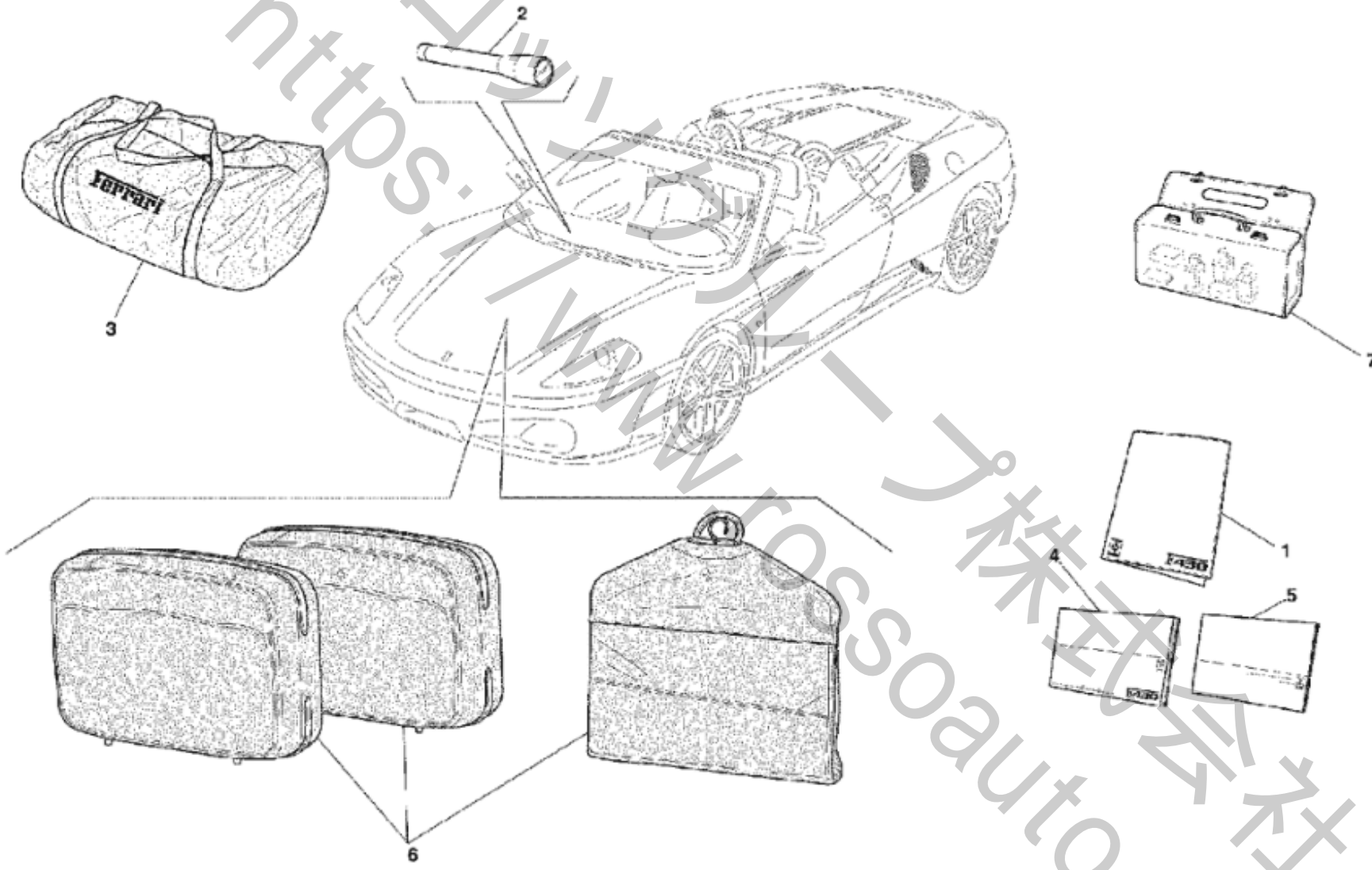
<051 Tools Equipment and Accessories>

No.	Part No.	Name	Qty
0	220496	COMPLETE TOOL KIT BAG	1
1	215274	EMPTY TOOL KIT BAG	1
2	-	WRENCH SET	1
3	-	SCREWDRIVER	1
3	-	SCREWDRIVER	1
4	14534079	HEXAGONAL MALE KEY	1
5	178659	PLIERS	1
6	-	MM. 160 CUTTING PLIERS	1
7	691935..	COMPLETE COVERED BRACKET	2
8	155838	TOW HOOK	1
9	14144690	12V 21/5W BULB	1
9	187652	12V 21W BULB	1
9	14148190	12V 21W BULB	1
9	101525	12V 3W BULB	1
9	14142390	12V 4W BULB	1
9	10857790	12V 5W BULB	1
9	14144190	12V 5W BULB	1
9	10556890	12V 6W BULB	1
10	169438	MAXI FUSE 20 A.	1
10	170093	MAXI FUSE 30 A.	1
10	166835	MAXI FUSE 40 A.	1
10	170061	MAXI FUSE 50 A.	1
10	172871	MAXI FUSE 60 A.	1
10	172877	MINI FUSE 10 A.	1
10	172878	MINI FUSE 15 A.	1
10	172879	MINI FUSE 20 A.	1
10	172880	MINI FUSE 25 A.	1
10	172881	MINI FUSE 30 A.	1
10	172875	MINI FUSE 5 A.	1
10	172876	MINI FUSE 7,5 A.	1
11	656448..	EXTINGUISHER BAG	1
12	68996500	SMALL PLATE	4
13	68996800	BELT WITH BUCKLE FOR TOOL BAG	1
14	68987200	COMPLETE BELT FIXING TOOL BAG	1
15	68997000	SMALL PLATE	2
16	68996300	BELT WITH BUCKLE FOR TYRE REPAIR	2

17	68996400 BELT FOR TYRE REPAIR	2
18	68996500 SMALL PLATE	4
19	65644700 EXTINGUISHER	1
20	13297477 SCREW	4
21	68997100 SMALL PLATE	2

ロッシオーター株式会社
<https://www.rossoauto.com>

<052 Documentation and Accessories>

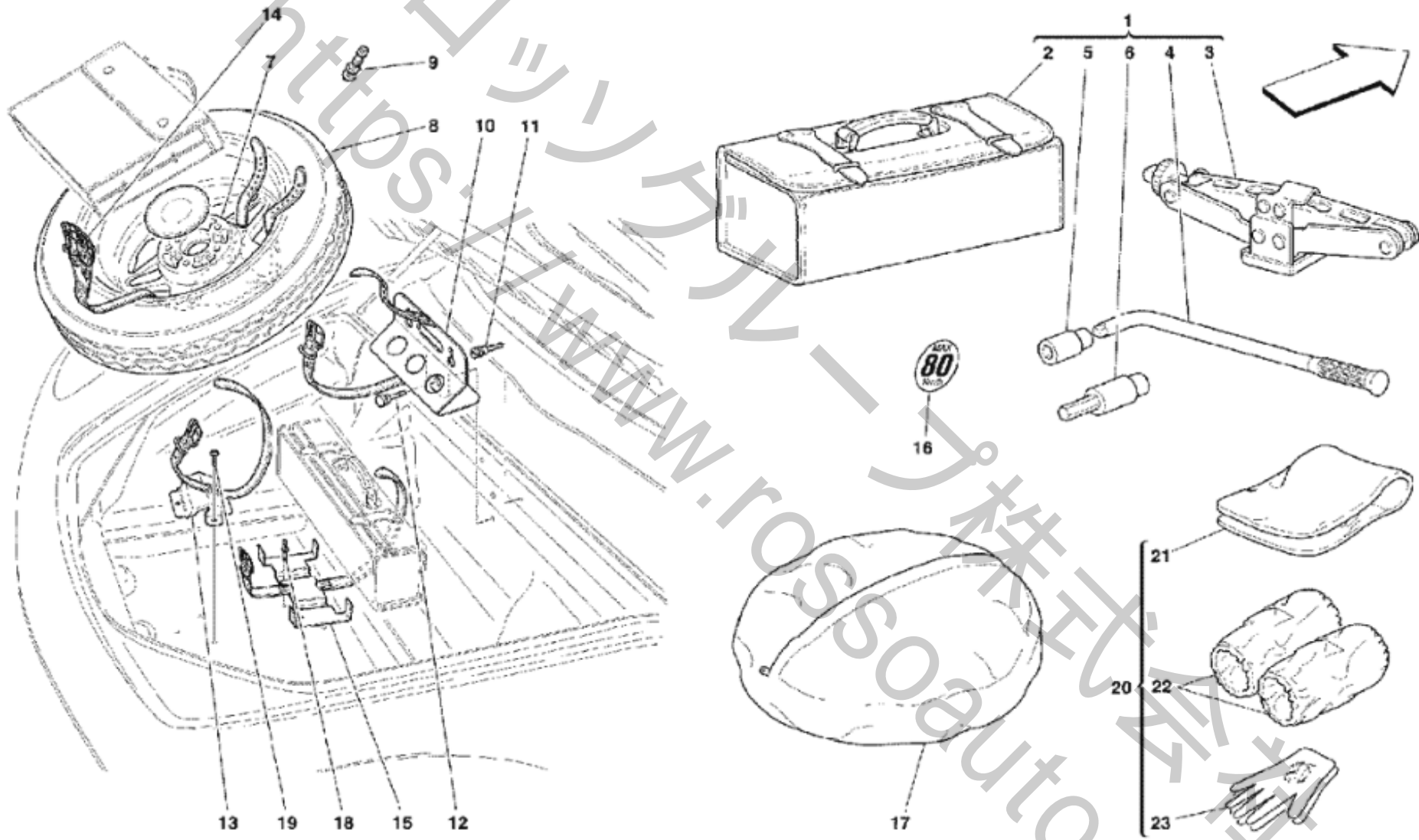


https://www.frossoauto.com 株式会社

<052 Documentation and Accessories>

No.	Part No.	Name	Qty
1	216227	DOCUMENT ENVELOPE	1
2	180720	EMERGENCY LIGHT	1
3	95998018	CAR COVER	1
3	69053700	CAR PROTECTION KIT	1
3	69053600	CAR PROTECTION KIT	1
3	95993160	OUTDOOR CAR COVER	1
4	69192400	INSTRUCTION BOOK	1
4	69191700	INSTRUCTION BOOK	1
4	69191600	INSTRUCTION BOOK	1
4	69191400	INSTRUCTION BOOK	1
4	69191300	INSTRUCTION BOOK	1
4	69191200	INSTRUCTION BOOK	1
4	69191500	INSTRUCTION BOOK	1
4	95993015	SALES BROCHURE	1
4	95993027	SALES BROCHURE	1
5	68837900	DIRECT LINE BOOK	1
5	69192000	FAST CUNSLTATION GUIDE	1
5	69191800	FAST CUNSLTATION GUIDE	1
5	69191900	FAST CUNSLTATION GUIDE	1
5	69192300	FAST CUNSLTATION GUIDE	1
5	69192200	FAST CUNSLTATION GUIDE	1
5	69192100	FAST CUNSLTATION GUIDE	1
5	83078600	ORGANIZATION AND SALE BOOK	1
6	69103800	TRUNK HOOD SUITCASE SET	1
6	69103900	TRUNK HOOD SUITCASE SET	1
7	70000911	KIT PRODUCTS FOR THE CARE OF THE CAR	1

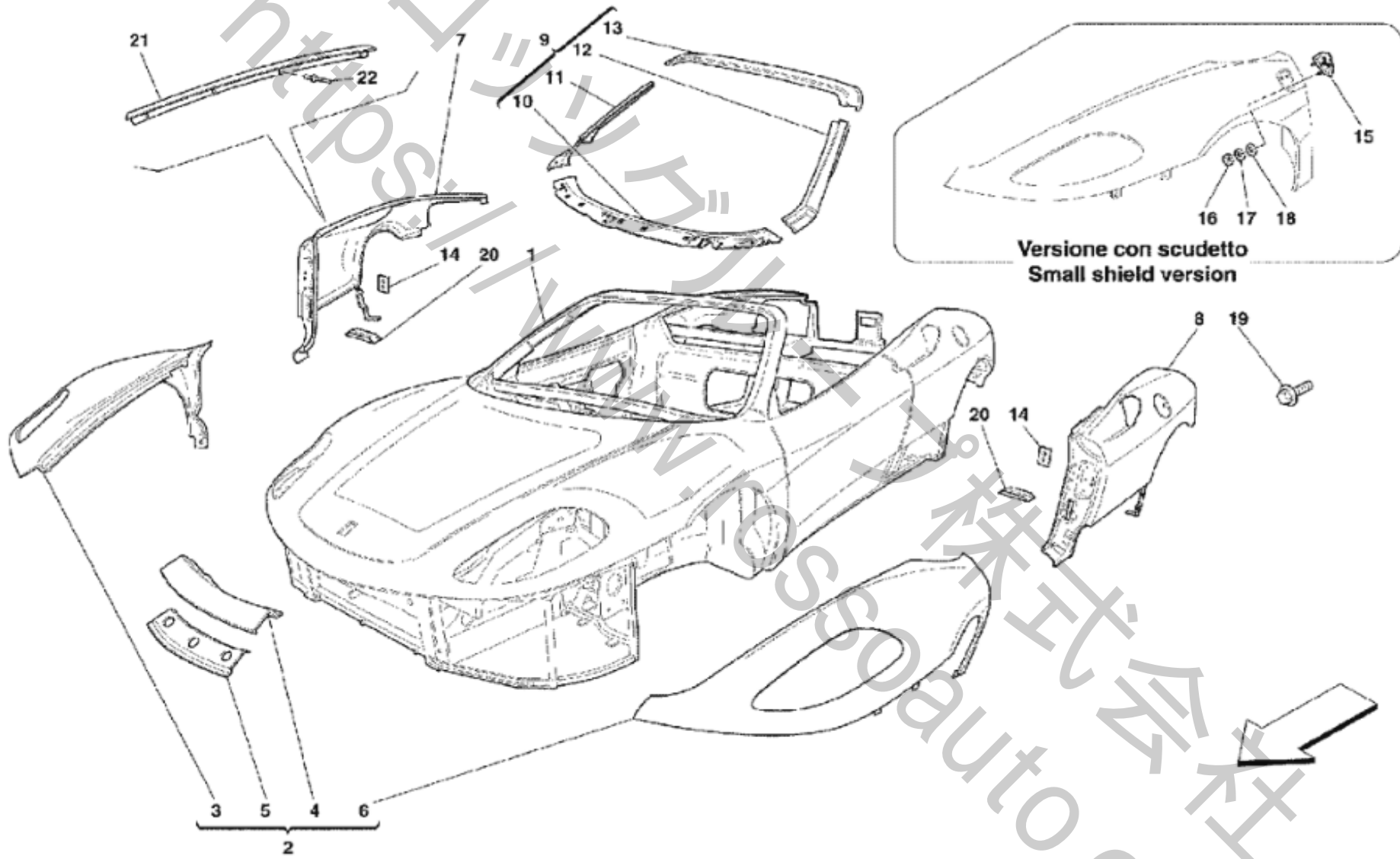
<053 Spare Wheel and Equipment -Optional->



<053 Spare Wheel and Equipment -Optional->

No.	Part No.	Name	Qty
1	171488	COMPLETE EMERGENCY TOOL KIT BAG	1
2	159545	EMPTY TOOL KIT BAG	1
3	171489	JACK TYPE 232 F	1
3	70000888	JACK KIT	1
4	171490	WHEEL WRENCH	1
5	171491	SOCKET WRENCH 17/19	1
6	171492	SOCKET WRENCH 22 1/2"	1
7	202228	SPARE WHEEL RIM 19"	1
8	-	TYRE GOOD YEAR T125/80R17	1
9	174258	VALVE	1
10	68153100	COMPLETE MOBILE BRACKET	1
11	65744000	SCREW	2
12	65744100	THREADED PIN	1
13	68140300	COMPLETE FIXED BRACKET	1
14	65751000	BELT FOR TOOL BAG	1
15	65748800	COMPLETE BRACKET FOR TOOL KIT BAG FIXING	1
16	153815	ADHESIVE PLATE	1
17	65252900	SPARE WHEEL COVER	1
18	60643400	RIVET	4
19	62940900	SCREW	3
20	65253000	COMPLETE BAG FOR ACCESSORIES	1
21	65253100	BAG FOR ACCESSORIES	1
22	65253200	SLEEVE	1
23	65253300	GLOVES	1

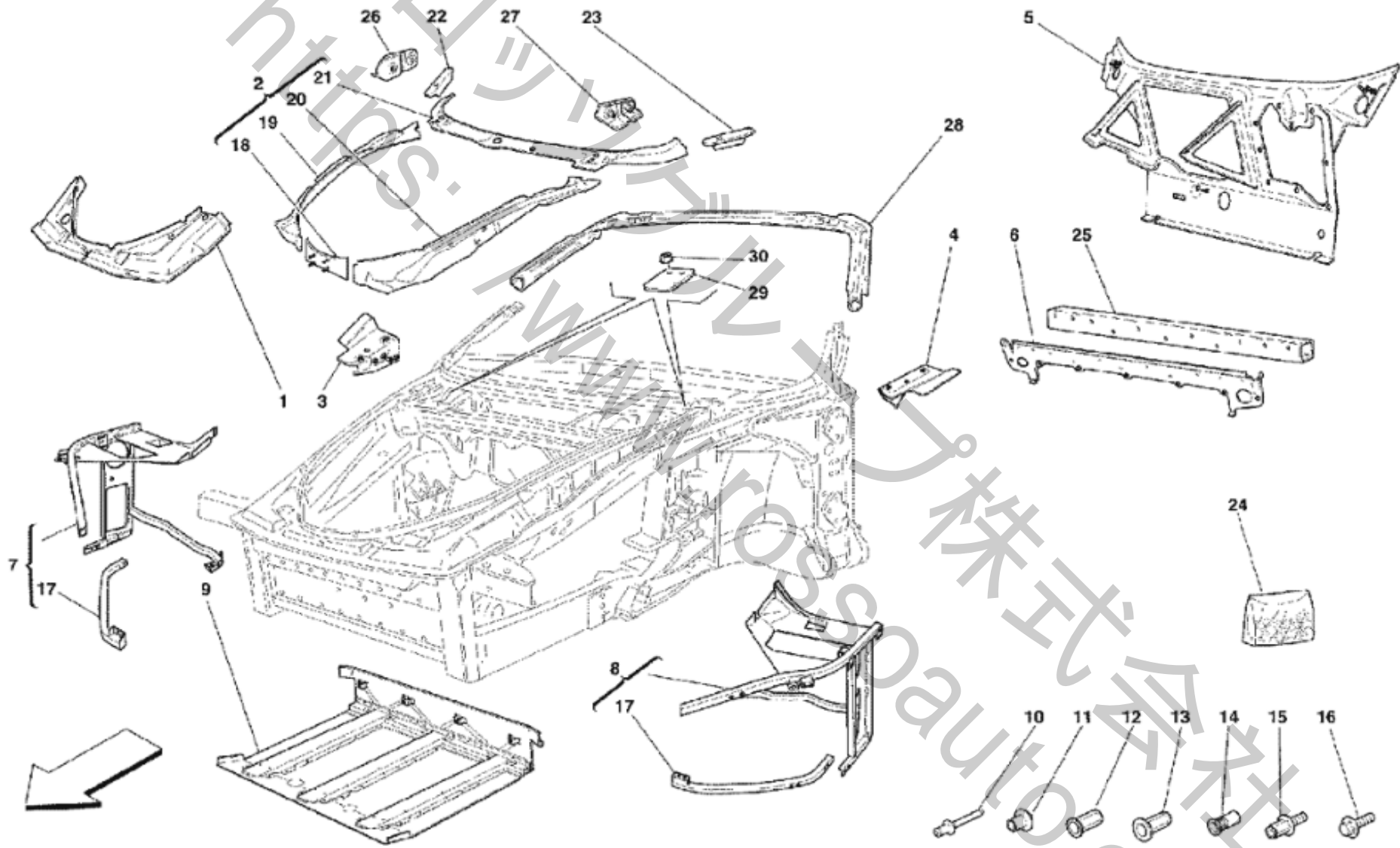
<100 Body - Outer Trims>



<100 Body - Outer Trims>

No.	Part No.	Name	Qty
1	-	COMPLETE BODYWORK	1
2	67762111	COMPLETE FRONT FENDER ASSEMBLY	1
2	67762111	COMPLETE FRONT FENDER ASSEMBLY	1
2	67762811	COMPLETE FRONT FENDER ASSEMBLY	1
3	67762911	COMPLETE R.H. FRONT FENDER	1
3	67762211	COMPLETE R.H. FRONT FENDER	1
4	65314111	FRONT CENTRAL LINING	1
5	66233911	FRONT CENTRAL MOULDING	1
6	67763311	COMPLETE L.H. FRONT FENDER	1
6	67762511	COMPLETE L.H. FRONT FENDER	1
7	68385211	COMPLETE R.H. REAR FENDER	1
8	68385311	COMPLETE L.H. REAR FENDER	1
9	65783811	COMPLETE WINDSCREEN FRAME	1
10	65703100	TAIL WINDSHIELD TRIM	1
11	65315000	R.H. WINDSHIELD PILLAR SHIELD	1
12	65315100	L.H. WINDSHIELD PILLAR SHIELD	1
13	65780100	COMPLETE WINDSHIELD LINING CROSS MEMBER	1
14	68624600	PLATE	2
15	65921900	SQUADRA CORSE SMALL SHIELD	2
16	16101711	NUT	6
17	14498521	WASHER	6
18	12624178	WASHER	6
19	13836771	SCREW	6
20	65155300	FIXED REAR BRACKET FOR REAR FENDER	2
21	68869900	L.H. INSERT	1
21	68869800	R.H. INSERT	1
22	14641891	RIVET	8

<101 Frame - Complete Front Part Structures and Plates>

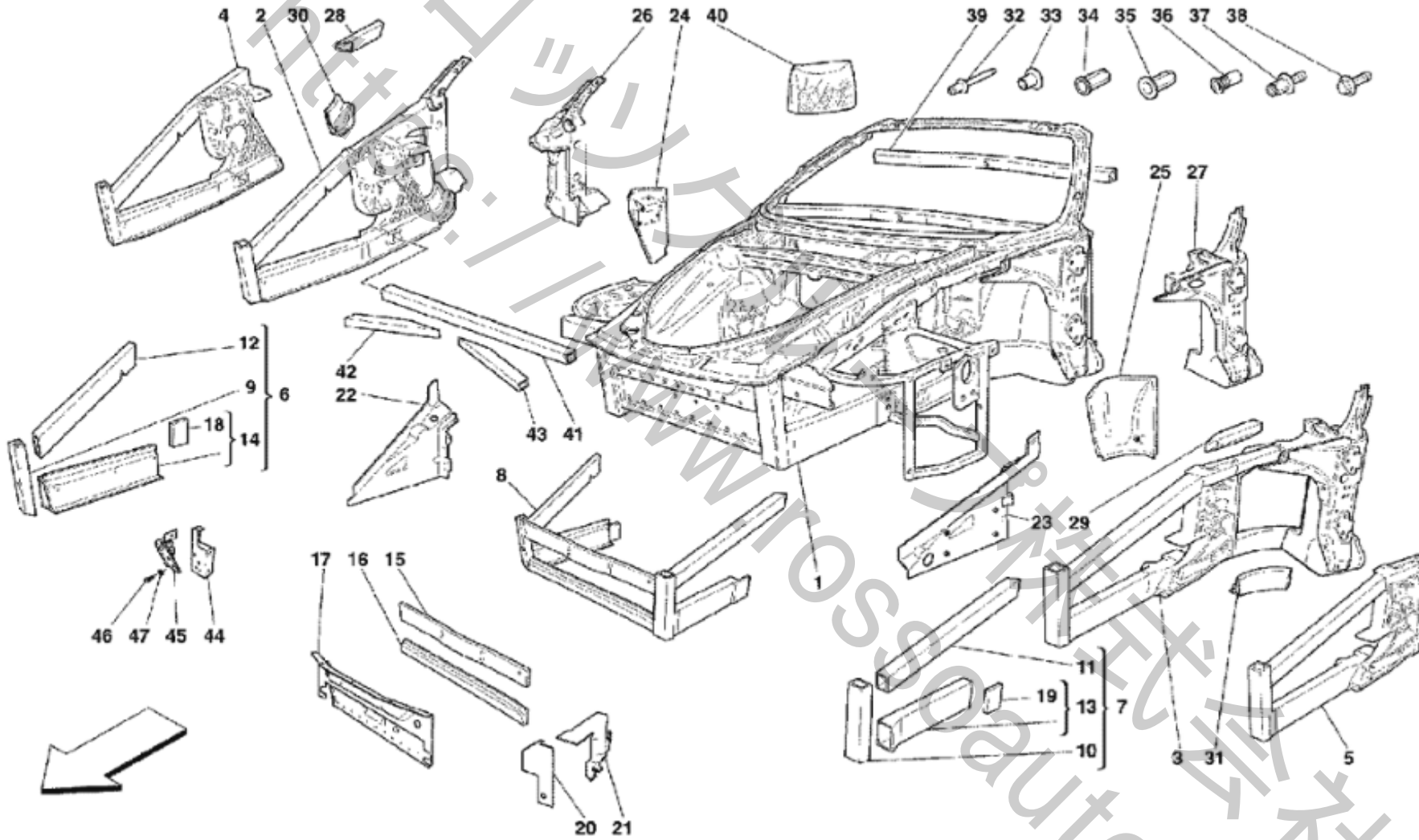


<101 Frame - Complete Front Part Structures and Plates>

No.	Part No.	Name	Qty
1	65393611	COMPLETE FRONT CROSS MEMBER	1
2	68037611	COMPLETE FRONT MOULDING	1
3	65393800	R.H. PLATE FOR FRONT HOOD BONNET HINGE	1
4	65393900	L.H. PLATE FOR FRONT HOOD BONNET HINGE	1
5	985202382	FRONT SHIELD	1
6	67962700	TRUNK COMPARTMENT UPPER REAR PANEL	1
7	69735911	R.H. FRONT SIDE FRAME	1
7	69735911	R.H. FRONT SIDE FRAME	1
7	69735211	R.H. FRONT SIDE FRAME	1
8	69736011	L.H. FRONT SIDE FRAME	1
8	69736011	L.H. FRONT SIDE FRAME	1
9	67656611	COMPLETE COMPARTMENT BOTTOM PLATE	1
9	67656611	COMPLETE COMPARTMENT BOTTOM PLATE	1
10	14642891	POP RIVET L. 14 mm	1
11	65133800	RIVET L. 6,4 mm	1
12	15180411	BLIND ESAGONAL RIVET	1
12	15624211	ESAGONAL RIVET M4	1
12	15624311	ESAGONAL RIVET M5	1
12	15624411	ESAGONAL RIVET M6	1
12	15624511	ESAGONAL RIVET M8	1
13	65151200	RIVET M6	1
14	60853400	RIVET	1
14	166101	RIVET M4	1
14	65135000	RIVET M8	1
14	65319800	RIVET M8 BLIND	1
15	65065400	STUD ESAGONAL HEAD M6	1
16	13836771	SCREW	1
17	68086300	L.H. MOBILE PIPE	1
17	68079800	R.H. MOBILE PIPE	1
18	66219811	TRUNK COMPARTMENT UPPER MOULDING INSERT	1
19	67963111	R.H. FENDER SUPPORT WALL	1
20	68031911	L.H. FENDER SUPPORT WALL	1
21	68037611	UINDER WINDSCREED FRAME	1
22	65317400	R.H. BRACKET	1
23	65317500	L.H. BRACKET	1
24	70000950	INSERTS KIT FOR REPAIR	1
25	207547	COMPLETE FRONT SUSPENSION UPPER CONNECTION CROSS MEMBER	1
27	65709900	L.H. BRACKET FOR FIXED HINGE	1
28	65782900	COMPLETE UPPER WINDSHIELD CROSS MEMBER	1
29	65548800	SEAL	2

ロッシェングループ株式会社
<https://www.rossoauto.com>

<102 Frame - Front Elements Structures and Plates>

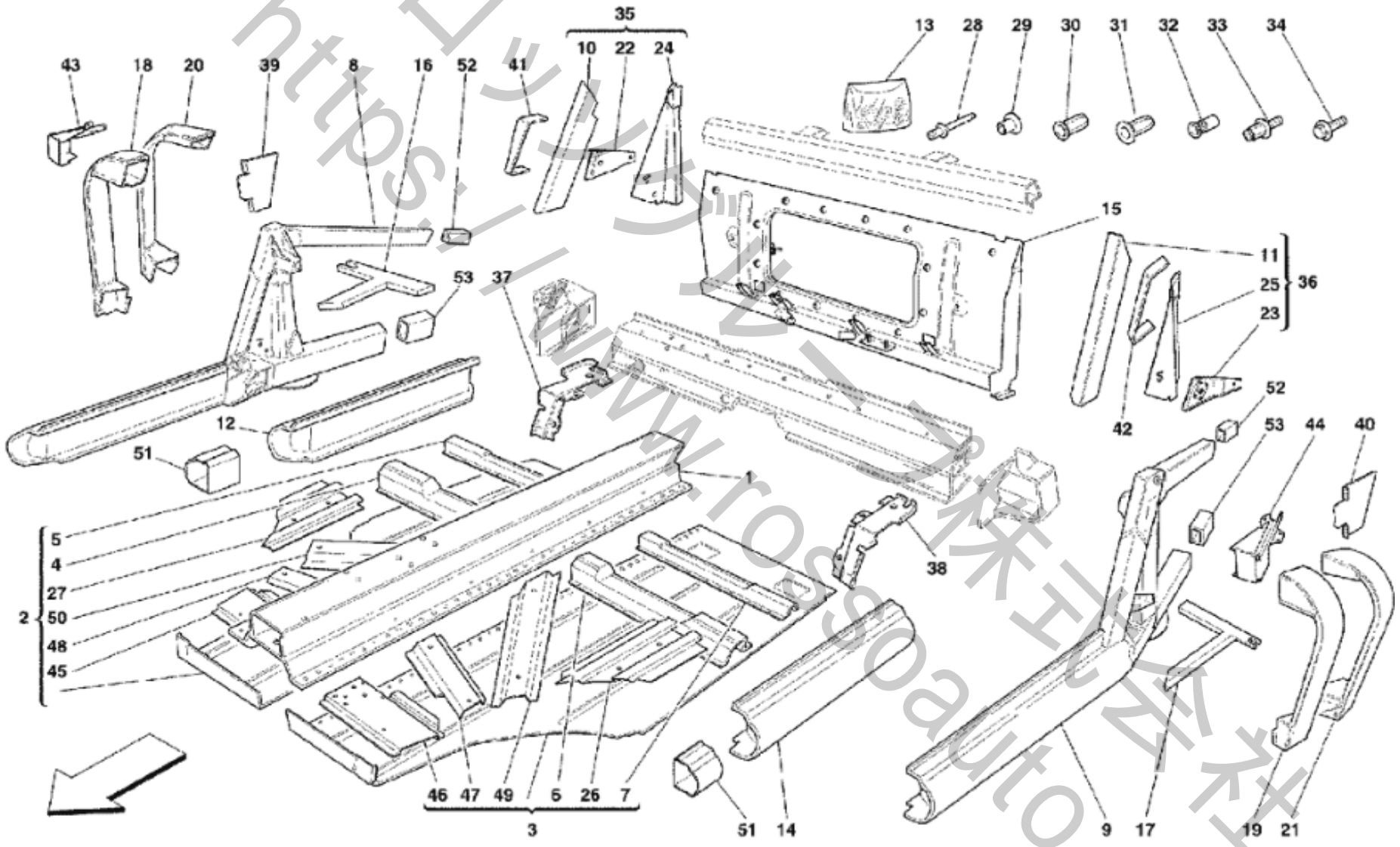


<102 Frame - Front Elements Structures and Plates>

No.	Part No.	Name	Qty
1	69326400	COMPLETE FRONT FRAME	1
2	68885311	COMPLETE R.H. FRONT SIDE FRAME	1
3	68885411	COMPLETE L.H. FRONT SIDE FRAME	1
4	68885500	R.H. FRONT LATERAL SPRAG	1
5	68885611	L.H. FRONT LATERAL SPRAG	1
6	68885711	COMPLETE R.H. FRONT LATERAL FRAME	1
7	68885811	COMPLETE L.H. FRONT LATERAL FRAME	1
8	68885911	COMPLETE FRONT FRAME	1
9	985206243	R.H. FRONT BUMPER PILLAR	1
10	985206242	L.H. FRONT BUMPER PILLAR	1
11	207735	L.M. FRAME	1
12	207736	R.H. FRAME	1
13	194945	L.H. FRONT CRUSH BOX	1
14	194946	R.H. FRONT CRUSH BOX	1
15	166301	FRONT UPPER CROSS MEMBER	1
16	183816	FRONT LOWER CROSS MEMBER	1
17	68037711	TRUNK COMPARTMENT FRONT WALL	1
18	66395711	R.H. FRONT REINFORCEMENT	1
19	66395811	L.H. FRONT REINFORCEMENT	1
20	66395400	L.H. BRACKET	1
20	66395511	R.H. BRACKET	1
21	207175	L.H. BRAKET FOR FRONT BUMPER FIXING	1
21	985207176	R.H. BRAKET FOR FRONT BUMPER FIXING	1
21	207176	R.H. BRAKET FOR FRONT BUMPER FIXING	1
22	67357711	R.H. FRONT SIDE WALL	1
23	67357811	L.H. FRONT SIDE WALL	1
23	67357811	L.H. FRONT SIDE WALL	1
24	198739	R.H. PLATE	1
25	198737	L.H. PLATE	1
26	68886011	COMPLETE R.H. DOOR PILLAR	1
27	68886100	COMPLETE L.H. DOOR PILLAR	1
28	196005	R.H. UPPER FRAME	1
29	196004	L.H. UPPER FRAME	1
30	166215	R.H. LOWER FRAME	1
31	166115	L.H. LOWER FRAME	1
32	14642891	POP RIVET L. 14 mm	1

33	65133800 RIVET L. 6,4 mm	1
34	15180411 BLIND ESAGONAL RIVET	1
34	15624211 ESAGONAL RIVET M4	1
34	15624311 ESAGONAL RIVET M5	1
34	15624411 ESAGONAL RIVET M6	1
34	15624511 ESAGONAL RIVET M8	1
35	65151200 RIVET M6	1
36	166101 RIVET M4	1
36	65930400 RIVET M6	1
36	65135000 RIVET M8	1
36	65319800 RIVET M8 BLIND	1
37	65065400 STUD ESAGONAL HEAD M6	1
38	13836771 SCREW	1
39	215080 UNDER WINDSCREEN CROSS MEMBER	1
40	70000950 INSERTS KIT FOR REPAIR	1
41	985207357 COMPLETE CROSS MEMBER	1
42	196003 R.H. FRONT REINFORCEMENT	1
43	209306 L.H. FRONT REINFORCEMENT	1
44	214462 BRACKET FOR TOW HOOK	1
45	214490 TOW HOOK BRACKET	1
46	16043421 SCREW	6
47	12642721 WASHER	6

<103 Central Side Elements and Plates>

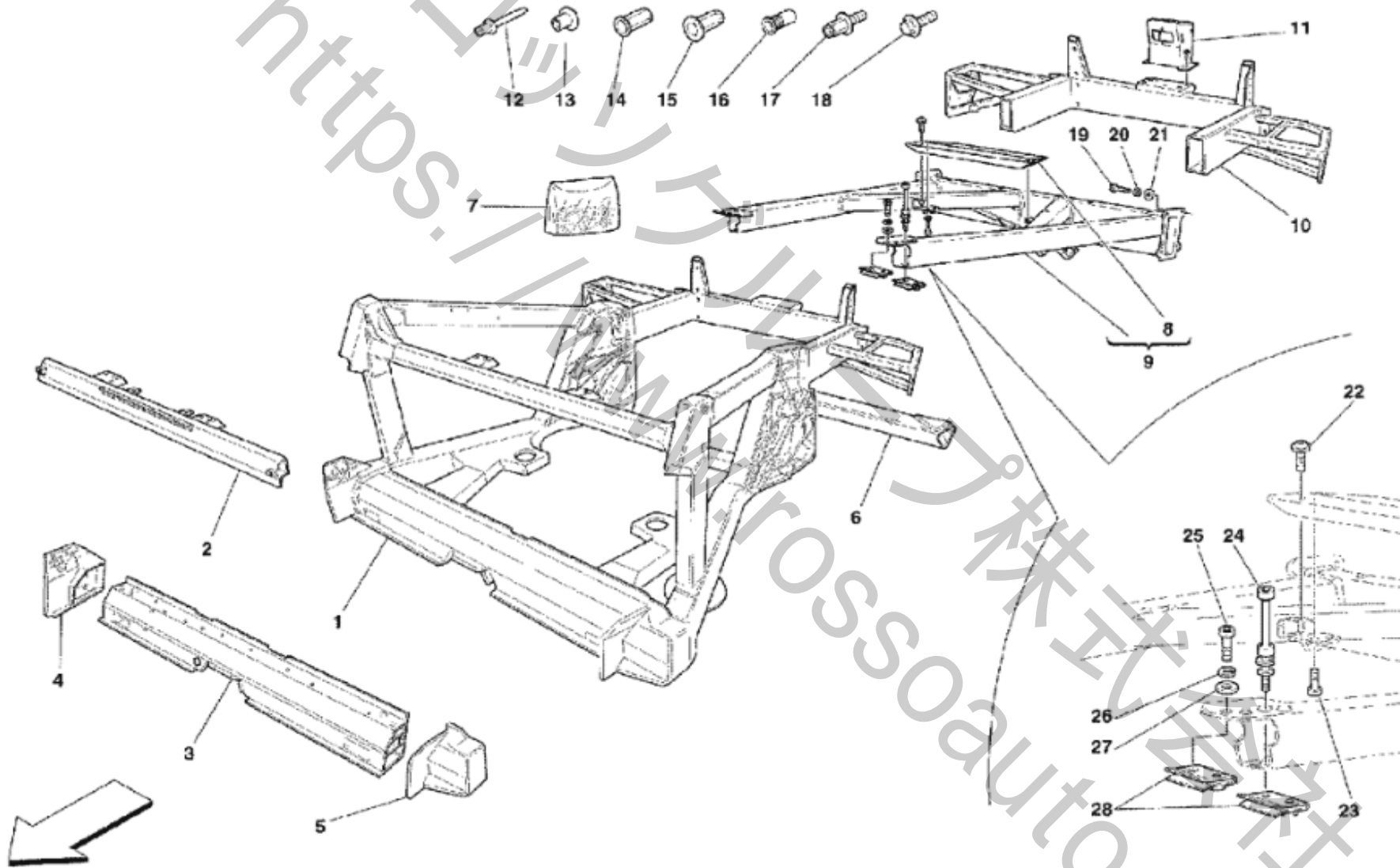


<103 Central Side Elements and Plates>

No.	Part No.	Name	Qty
1	194938	COMPLETE TUNNEL	1
2	68886311	COMPLETE R.H. LATERAL HALF FLOOR	1
4	207193	R.H. FRONT CROSS MEMBER	1
5	205203	R.H. REAR CROSS MEMBER	1
6	207192	L.H. FRONT CROSS MEMBER	1
7	205202	L.H. REAR CROSS MEMBER	1
8	69326500	R.H. LATERAL REAR CROSSMEMBAR	1
9	69326600	L.H. LATERAL REAR CROSSMEMBAR	1
10	166232	R.H. REINFORCEMENT FRAME	1
11	166132	L.H. REINFORCEMENT FRAME	1
13	70000950	INSERTS KIT FOR REPAIR	1
14	203611	L.H. CROSSMEMBER	1
15	216187	REAR SHIELD	1
16	64811011	R.H. REAR FIXING FRAME	1
16	64811011	R.H. REAR FIXING FRAME	1
17	64811111	L.H. REAR FIXING FRAME	1
18	65153400	R.H. FRONT SIDE MOLDING	1
19	65153500	L.H. FRONT SIDE MOLDING	1
20	65998100	R.H. REAR SIDE MOLDING	1
21	65998200	L.H. REAR SIDE MOLDING	1
22	64804300	R.H. REWINDER FIXING REINFORCEMENT	1
23	64804400	L.H. REWINDER FIXING REINFORCEMENT	1
25	64803600	L.H. LATERAL SEAL	1
26	196081	L.H. REINFORCEMENT	1
27	196082	R.H. REINFORCEMENT	1
28	14642891	POP RIVET L. 14 mm	1
29	65133800	RIVET L. 6,4 mm	1
30	15180411	BLIND ESAGONAL RIVET	1
30	15624211	ESAGONAL RIVET M4	1
30	15624311	ESAGONAL RIVET M5	1
30	15624411	ESAGONAL RIVET M6	1
30	15624511	ESAGONAL RIVET M8	1
31	65151200	RIVET M6	1
32	60853400	RIVET M10 BLIND	1
32	166101	RIVET M4	1
32	65930400	RIVET M6	1
32	65135000	RIVET M8	1
32	65319800	RIVET M8 BLIND	1

33	65065400	STUD ESAGONAL HEAD M6	1
34	13836771	SCREW	1
35	66464800	R.H. PANEL UPPER FRAME	1
36	66464900	L.H. PANEL UPPER FRAME	1
37	65386100	R.H. SUPPORT CENTRAL OVERLAP	1
38	65386200	L.H. SUPPORT CENTRAL OVERLAP	1
39	182624	R.H. FUEL TANK PROTECTION PLATE	1
40	182623	L.H. FUEL TANK PROTECTION PLATE	1
41	65903600	R.H. STRIKER REINFORCEMENT	1
42	65903700	L.H. STRIKER REINFORCEMENT	1
43	202682	R.H. REAR REINFORCEMENT	1
44	202681	L.H. REAR REINFORCEMENT	1
45	207194	FRONT CROSS MEMBER FOR BATTERY BIN	1
46	207195	FRONT CROSS MEMBER FOR ACCELERATOR PEDAL CASTING FIXING	1
47	207196	L.H. FRONT REINFORCEMENT	1
48	207197	R.H. FRONT REINFORCEMENT	1
49	207198	L.H. REAR REINFORCEMENT	1
50	207199	R.H. REAR REINFORCEMENT	1
51	181981	CORE FOR RIPAIR	1
52	181980	UPPER INNER CORE	1
53	181979	LOWER INNER CORE	1
2	69413211	COMPLETE R.H. LATERAL HALF FLOOR	1
3	68886411	COMPLETE L.H. LATERAL HALF FLOOR	1
3	69413311	COMPLETE L.H. LATERAL HALF FLOOR	1
12	203612	R.H. CROSSMEMBER	1
24	64803500	R.H. LATERAL SEAL	1
45	208941	FRONT CROSS MEMBER FOR BATTERY BIN	1
46	208940	FRONT CROSS MEMBER FOR ACCELERATOR PEDAL CASTING FIXING	1
48	208939	R.H. FRONT REINFORCEMENT	1

<104 Frame - Rear Elements Structures and Plates>

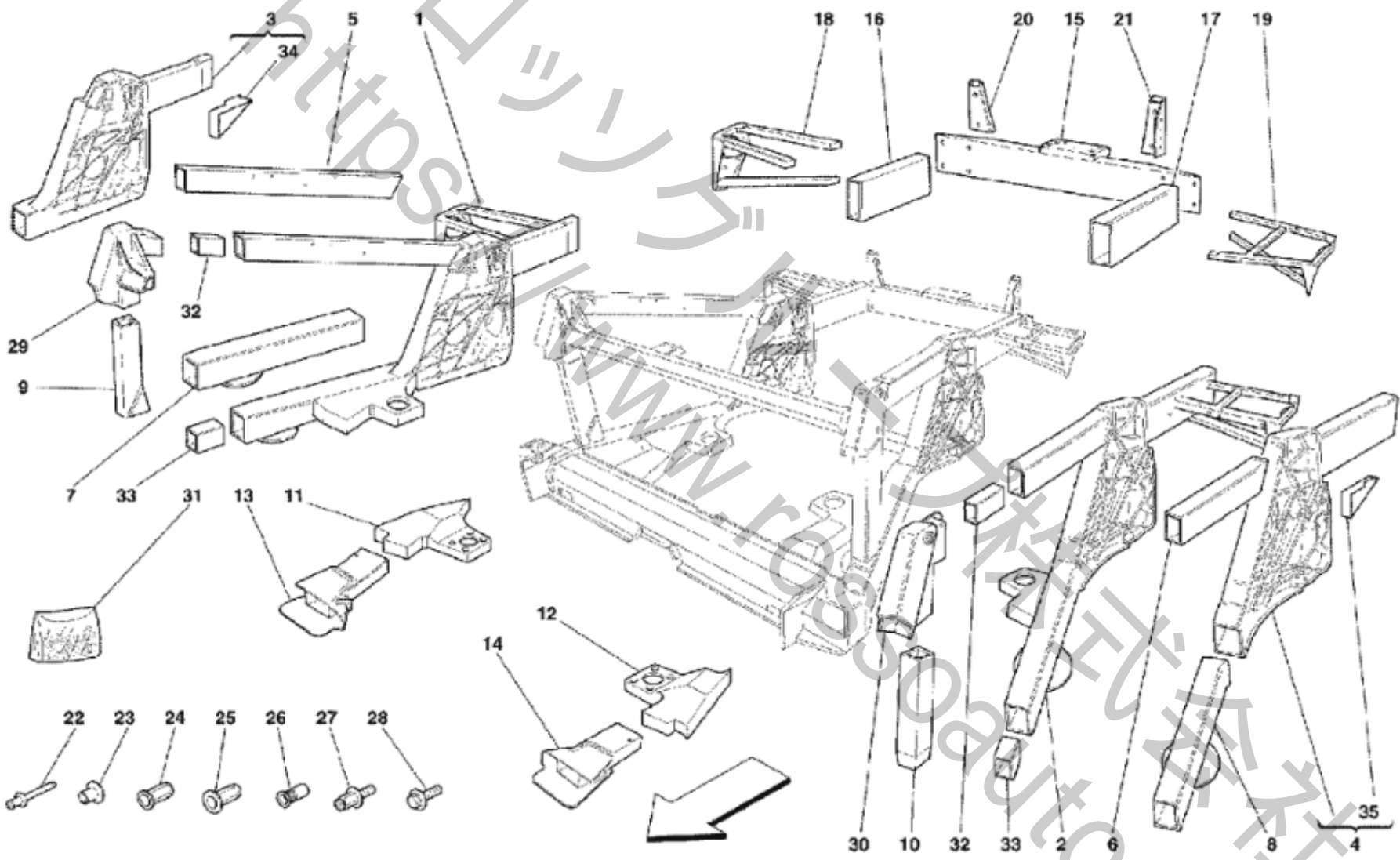


<104 Frame - Rear Elements Structures and Plates>

No.	Part No.	Name	Qty
1	69326700	COMPLETE REAR FRAME	1
2	66652700	COMPLETE TAIL REAR WINDOW CROSSPIECE	1
3	69326800	REAR CROSS MEMBER	1
4	199984	R.H. LOWER REAR CASTING	1
5	199983	L.H. LOWER REAR CASTING	1
6	207991	COMPLETE LOWER CROSS MEMBER	1
7	70000950	INSERTS KIT FOR REPAIR	1
8	208610	CROSS MEMBER	1
9	68887111	COMPLETE REAR REMOVIBLE FRAME	1
10	69326900	COMPLETE REAR FRAME	1
11	68152411	BRACKET FOR LOCK FOR ENGINE HOOD	1
12	14642891	POP RIVET L. 14 mm	1
13	65133800	RIVET L. 6,4 mm	1
14	15180411	BLIND ESAGONAL RIVET	1
14	15624211	ESAGONAL RIVET M4	1
14	15624311	ESAGONAL RIVET M5	1
14	15624411	ESAGONAL RIVET M6	1
14	15624511	ESAGONAL RIVET M8	1
15	65151200	RIVET M6	1
16	60853400	RIVET M10 BLIND	1
16	166101	RIVET M4	1
16	65930400	RIVET M6	1
16	65135000	RIVET M8	1
16	65319800	RIVET M8 BLIND	1
17	65065400	STUD ESAGONAL HEAD M6	1
18	13836771	SCREW	1
19	14306374	SCREW	8
20	127496	WASHER	8
21	10519601	WASHER	8
22	62940900	SCREW	2
23	62940900	SCREW	4
24	183554	COMPLETE SCREW	4
25	13028734	SCREW	4
26	127496	WASHER	4
27	10519601	WASHER	4
28	179268	L.H. BRACKET	2

ロッシオ自動車株式会社
<https://www.rossoauto.com>

<105 Frame - Rear Elements Sub-Groups>



<105 Frame - Rear Elements Sub-Groups>

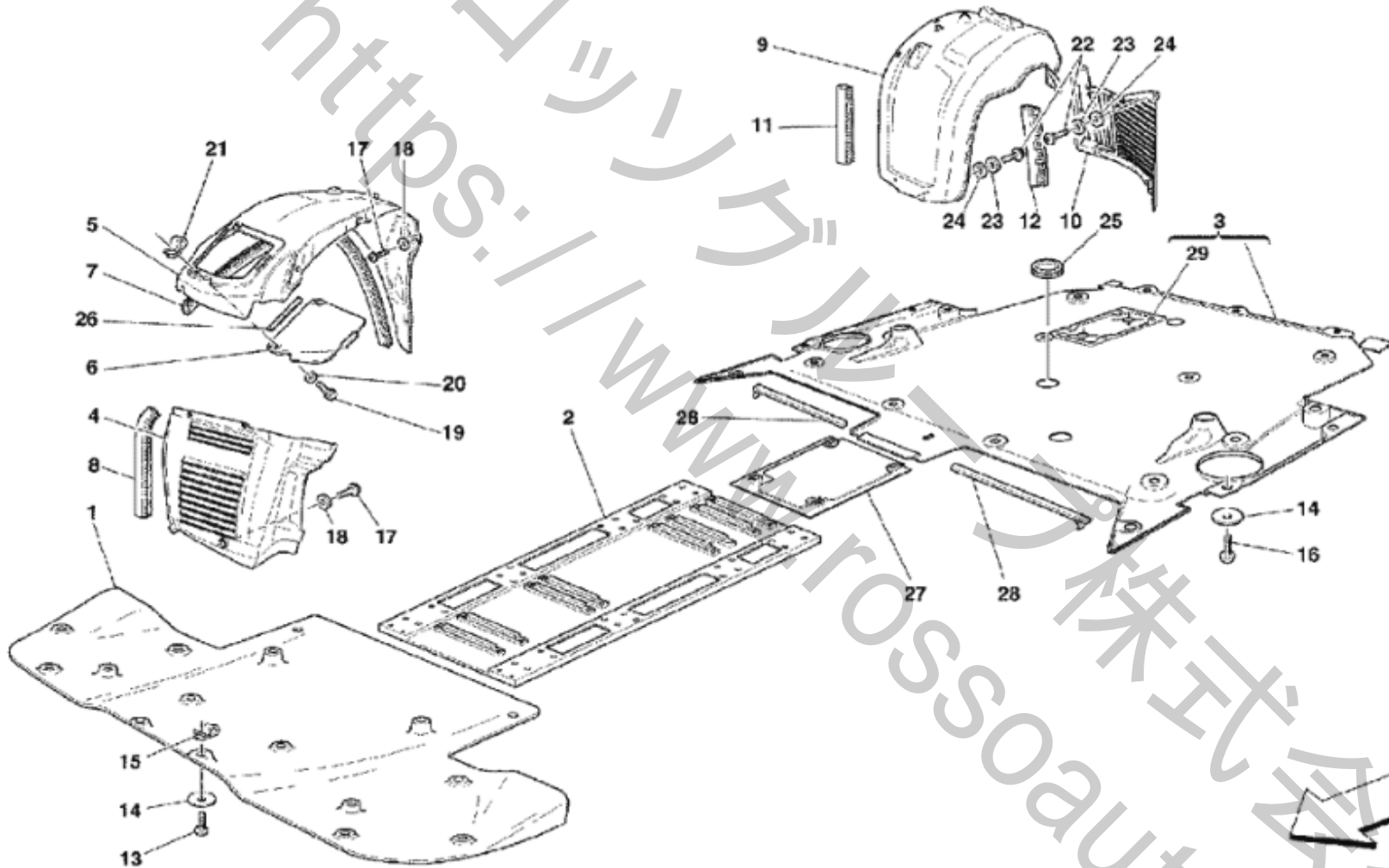
No.	Part No.	Name	Qty
1	69327011	COMPLETE R.H. SIDE FRAME	1
2	69327111	COMPLETE L.H. SIDE FRAME	1
3	68887511	R.H. REAR LATERAL CASTING	1
4	68887611	L.H. REAR LATERAL CASTING	1
5	207881	R.H. UPPER FRAME	1
6	207880	L.H. UPPER FRAME	1
7	212301	R.H. LOWER FRAME	1
8	212300	L.H. LOWER FRAME	1
9	66051211	COMPLETE R.H. REAR PANEL	1
10	66051111	COMPLETE L.H. REAR PANEL	1
11	6234102	R.H. BRACKET ENGINE SUPPORT	1
12	6234101	L.H. BRACKET ENGINE SUPPORT	1
13	65942200	R.H. SUPPORT FOR BRACKET	1
14	65942311	L.H. SUPPORT FOR BRACKET	1
15	985215081	REAR BUMPER CROSS MEMBER	1
16	207272	R.H. REAR FRAME	1
17	207271	L.H. REAR FRAME	1
18	67679211	R.H. REAR FENDER FRAME	1
18	80084211	R.H. REAR FENDER FRAME	1
19	67780211	L.H. REAR FENDER FRAME	1
20	68440411	R.H. SIDE BRACKET	1
21	68440511	L.H. SIDE BRACKET	1
22	14642891	POP RIVET L. 14 mm	1
23	65133800	RIVET L. 6,4 mm	1
24	15180411	BLIND ESAGONAL RIVET	1
24	15624211	ESAGONAL RIVET M4	1
24	15624311	ESAGONAL RIVET M5	1
24	15624411	ESAGONAL RIVET M6	1
24	15624511	ESAGONAL RIVET M8	1
25	65151200	RIVET M6	1
26	60853400	RIVET M10 BLIND	1
26	166101	RIVET M4	1
26	65930400	RIVET M6	1
26	65135000	RIVET M8	1
26	65319800	RIVET M8 BLIND	1
27	65065400	STUD ESAGONAL HEAD M6	1

28	13836771 SCREW	1
29	6166261 R.H. UPPER FUSION REAR PILLAR	1
30	6166161 L.H. UPPER FUSION REAR PILLAR	1
31	70000950 INSERTS KIT FOR REPAIR	1
32	181980 UPPER INNER CORE	1
33	181979 LOWER INNER CORE	1
34	196575 R.H. REINFORCEMENT	1
35	196574 L.H. REINFORCEMENT	1

<https://www.rossoauto.com>

 ロッソ自動車株式会社

<106 Flat Floor Pan and Wheelhouse>



<https://www.rossoauto.com>

<106 Flat Floor Pan and Wheelhouse>

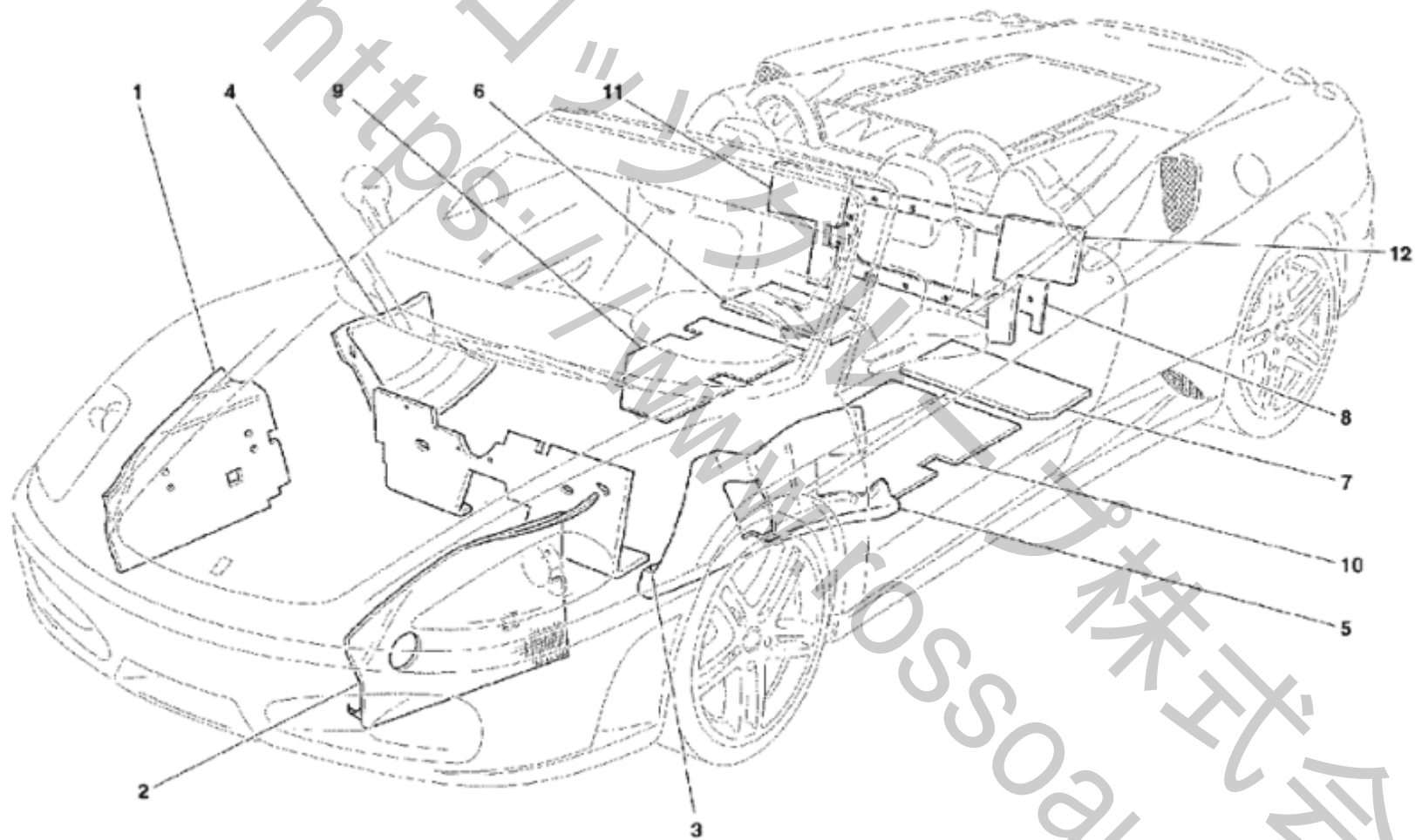
No.	Part No.	Name	Qty
1	67670000	FRONT UNDER THE BODY SHELL SHIELD	1
1	80494600	FRONT UNDER THE BODY SHELL SHIELD	1
2	198642	TUNNEL REINFORCEMENT	1
3	68373000	REAR UNDER THE BODY SHELL SHIELD	1
4	80255900	FRONT GRAVEL GUARD FOR L.H. FRONT WHEEL	1
4	80255800	FRONT GRAVEL GUARD FOR R.H. FRONT WHEEL	1
5	67964900	L.H. FRONT WHEELHOUSE OUTER CARPET SHIELD	1
5	67957400	R.H. FRONT WHEELHOUSE OUTER CARPET SHIELD	1
6	65522400	L.H. WHEELHOUSE DOOR	1
6	65522300	R.H. WHEELHOUSE DOOR	1
7	68036400	GASKET	2
8	64994500	GASKET	2
9	67957200	L.H. REAR WHEELHOUSE	1
9	67957300	R.H. REAR WHEELHOUSE	1
10	80256100	L.H. GRAVEL GUARD FOR REAR WHEEL	1
10	80256000	R.H. GRAVEL GUARD FOR REAR WHEEL	1
11	64865000	GASKET	2
12	68034900	GASKET	2
13	10902424	SCREW	16
14	66121400	WASHER	34
15	14189071	BRACKET	6
16	10902424	SCREW	23
17	13276477	SCREW	10
18	11197777	WASHER	10
19	10977887	SCREW	4
20	12638178	WASHER	4
21	66927700	BRACKET	4
22	13276477	SCREW	18
23	11197777	WASHER	18
24	12643724	WASHER	18
25	64783600	PROTECTION PLUG	1
26	66092500	ANTI VIBRATION GASKET	2
27	68023300	CENTRAL UNDER THE BODY SHELL SHIELD	1
28	68035000	GASKET	2
29	68372600	OIL FILTER INSPECTION DOOR	1
30	210246	SCREW	32

30	205370 SCREW	16
31	12646727 WASHER	32
31	12639727 WASHER	16
32	63965800 PLUG	2
33	69403900 CENTRAL INSULATION	1
34	69403800 R.H. INSULATION	1
35	69404000 L.H. INSULATION	1
36	80071200 R.H. WHEELHOUSE INSULATION	1
36	80071600 L.H. WHEELHOUSE INSULATION	1
37	68502300 BRACKET	1
38	14623187 PLUG	1
39	14507787 PLUG	1

<https://www.rossoauto.com>

 株式会社

<107 Insulations>

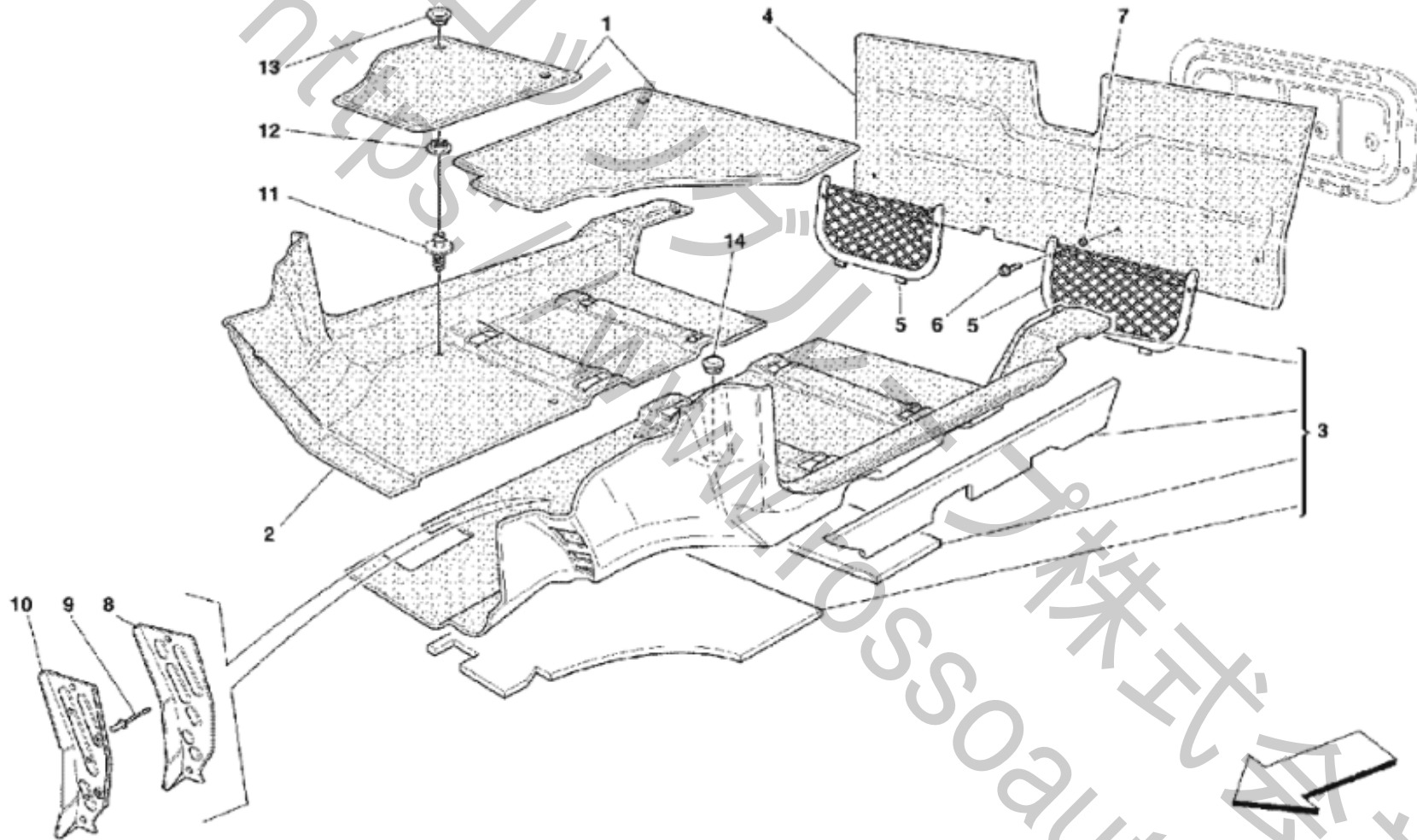


<107 Insulations>

No.	Part No.	Name	Qty
1	69619600	OUTER FRONT R.H. INSULATION	1
2	69619700	OUTER FRONT L.H. INSULATION	1
3	68507500	DASH PANEL SIDE INSULATION	1
4	68507300	FRONT R.H. WHEELHOUSE INSULATION	1
5	68507400	FRONT L.H. WHEELHOUSE INSULATION	1
6	68506900	R.H. REAR INSULATION	1
7	68507000	L.H. REAR INSULATION	1
8	68356000	MOTOR COMPARTMENT REAR SIDE INSULATION	1
9	68507100	R.H. PLATFORM INSULATION	1
10	68507200	L.H. PLATFORM INSULATION	1
11	68997300	R.H. REAR FIREPROOF INSULATION	1
12	68997400	L.H. REAR FIREPROOF INSULATION	1

http://www.rossoauto.com 株式会社

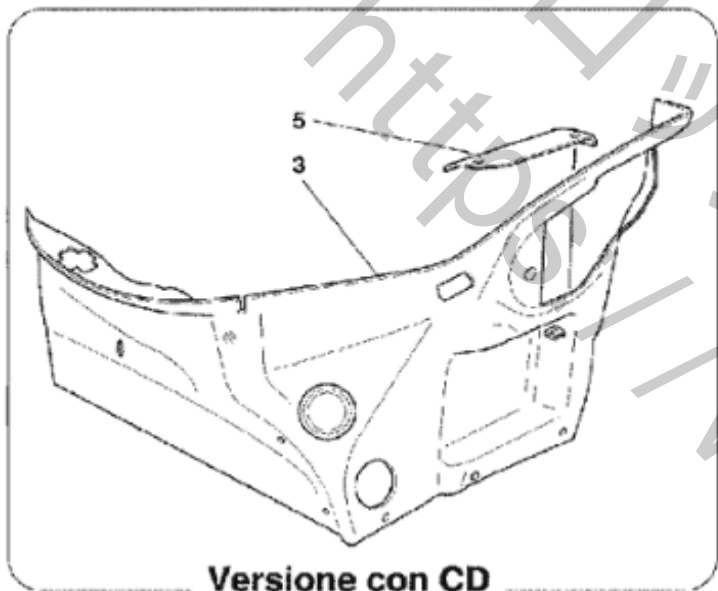
<108 Passengers Compartment Carpets>



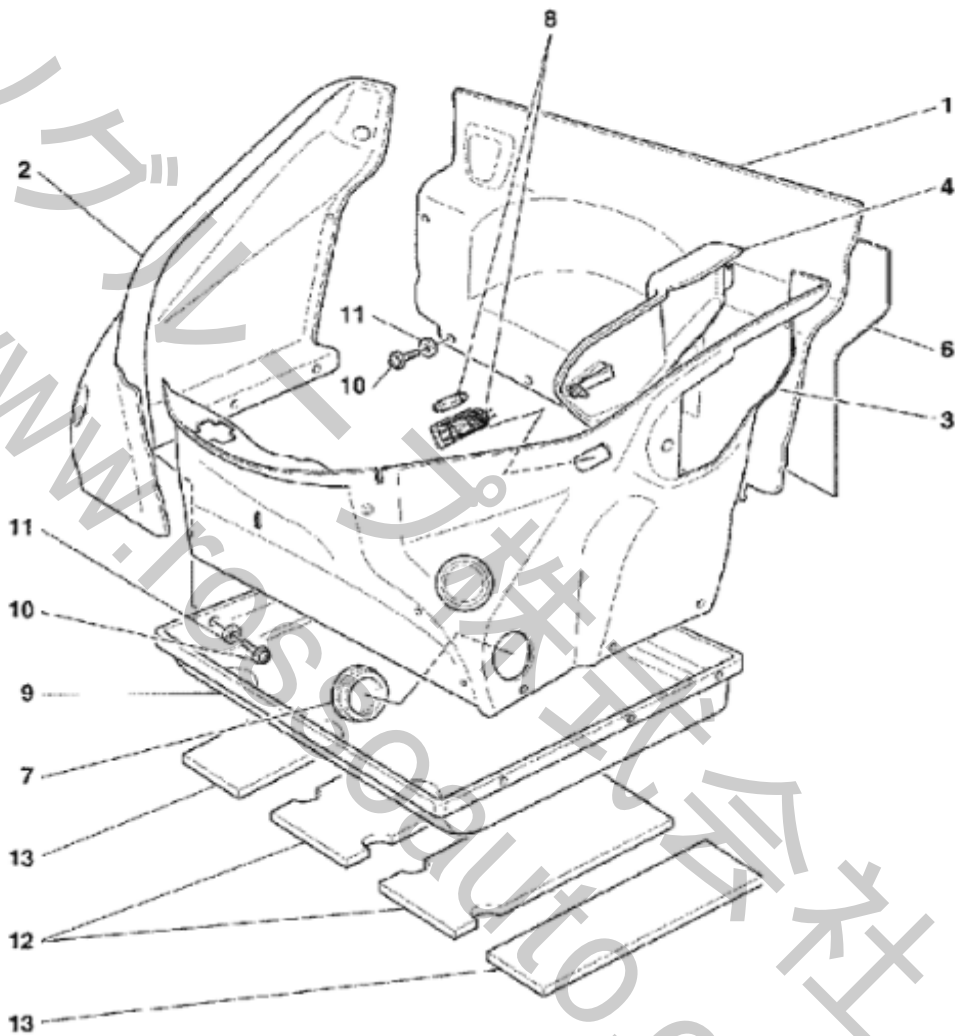
<108 Passengers Compartment Carpets>

No.	Part No.	Name	Qty
1	68936698	COMPLETE MOVABLE CARPETS KIT FOR COMFORT SEATS	1
1	689367..	COMPLETE MOVABLE CARPETS KIT FOR COMFORT SEATS	1
1	689369..	COMPLETE MOVABLE CARPETS KIT FOR SPORTING SEATS	1
1	689368..	COMPLETE MOVABLE CARPETS KIT FOR SPORTING SEATS	1
2	685094..	COMPLETE R.H. FLOOR CARPET	1
3	685095..	COMPLETE L.H. FLOOR CARPET	1
4	689832..	COMPLETE REAR CARPET	1
5	686944..	SEAT BACK POCKET	2
5	68694100	SEAT BACK POCKET	2
6	168133	SCREW	4
7	65708600	BUSHING	4
8	65628900	SLAB FOR DRIVER SIDE FOOT REST	1
9	14642291	RIVET	5
10	68663200	DRIVER SIDE FOOT REST	1
11	66233300	THREADED PLUG	4
12	66233200	LOWER RING	4
13	66233100	UPPER RING	4
14	14507987	PLUG	1

<109 Front Compartment Trims>



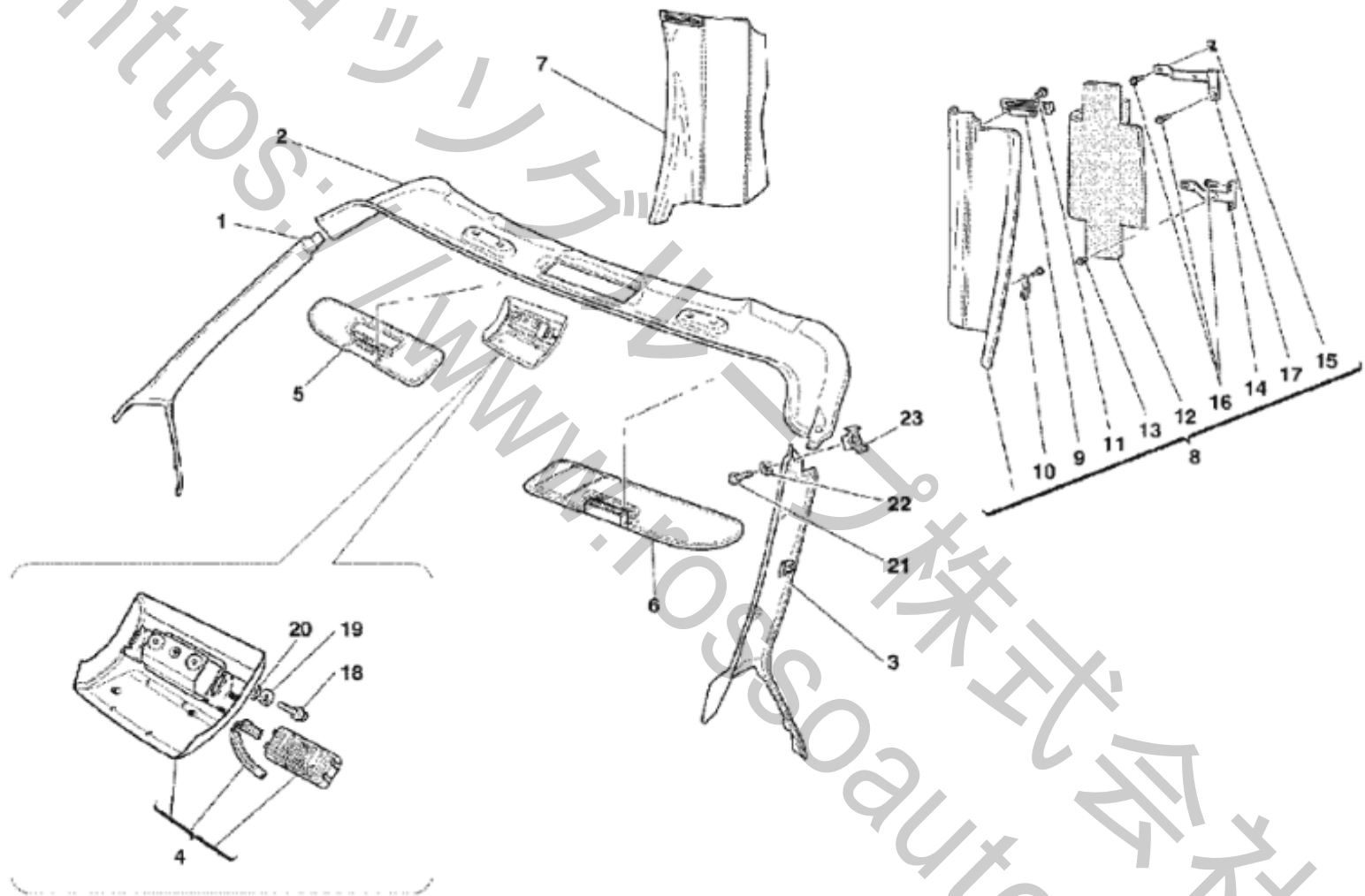
Versione con CD
CD Version



<109 Front Compartment Trims>

No.	Part No.	Name	Qty
1	68140000	TRUNK HOOD MOBILE REAR WALL	1
2	68511100	R.H. SIDE SHIELD	1
3	80665800	L.H. SIDE SHIELD	1
3	80665900	L.H. SIDE SHIELD	1
4	68511300	FUSES INSPECTION DOOR	1
5	68511600	CD COMPARTMENT COVER	1
6	68647100	WATER PROTECTION CLOTH	1
7	63965800	PLUG	4
8	139517	DOME LAMP	1
9	68510800	LOWER STEP	1
10	66091000	SCREW	11
10	65933500	SCREW	10
10	65970400	SCREW	10
11	65841100	WASHER	11
12	68510900	CENTRAL INSULATION	2
13	68511000	LATERAL INSULATION	2
14	10863090	12V-5W BULB	1
15	80599900	PLATE	1
16	80599600	R.H. PLATE	1
17	80599700	L.H. PLATE	1
18	80599400	BRACKET	4

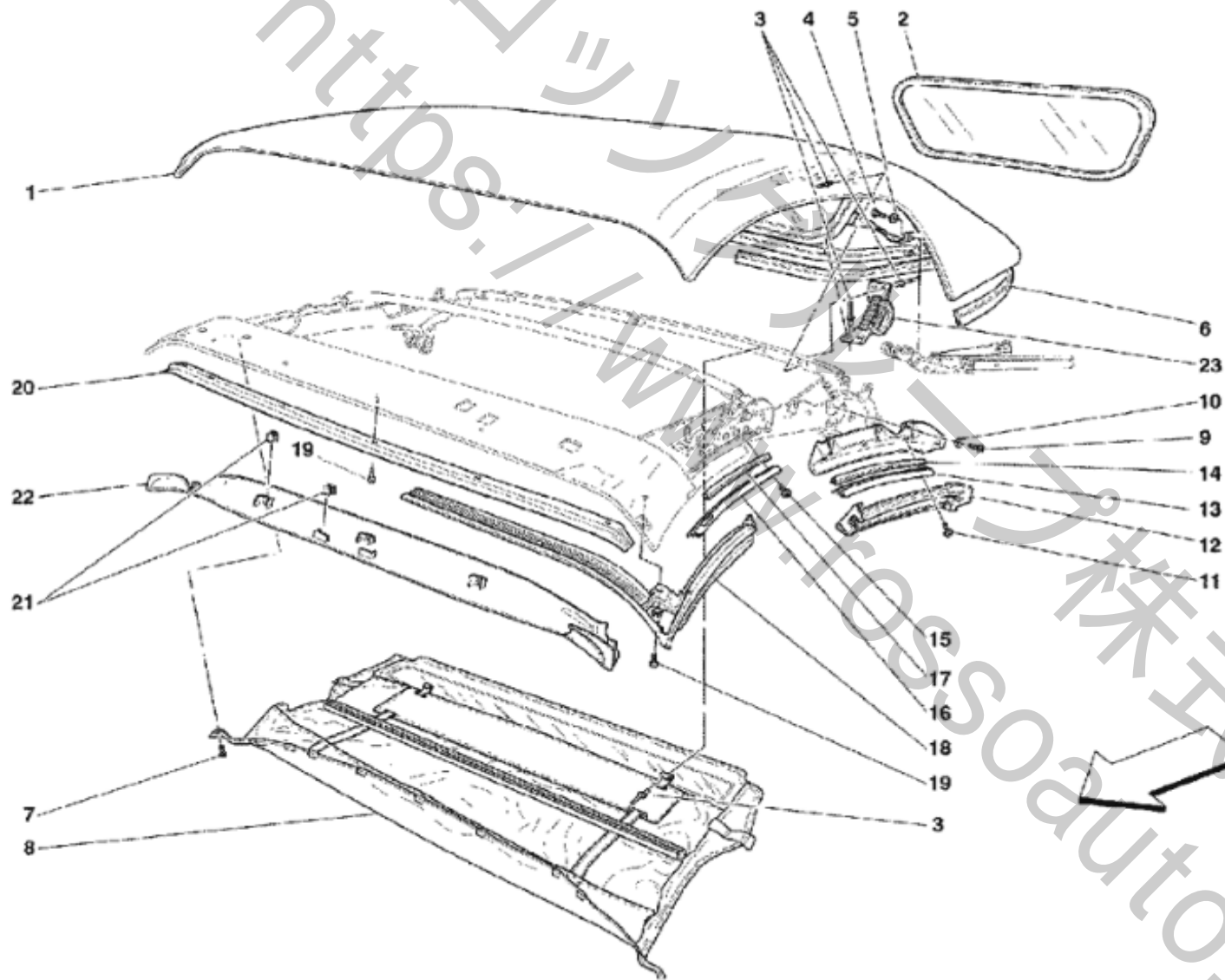
<110 Roof Panel Upholstery and Accesories>



<110 Roof Panel Upholstery and Accesories>

No.	Part No.	Name	Qty
	1 678984..	COMPLETE R.H. PILLAR COVER	1
	1 678987..	LINING	1
	1 690479..	COMPLETE R.H. PILLAR COVER	1
	2 685038..	LINING	1
	2 685037..	WINDSCREEN UPPER COVER	1
	3 678989..	COMPLETE L.H. PILLAR COVER	1
	3 678992..	LINING	1
	3 690480..	COMPLETE L.H. PILLAR COVER	1
	4 68271400	COMPLETE DOME LAMP	1
	4 69307200	COMPLETE DOME LAMP	1
	4 69307300	COMPLETE DOME LAMP	1
	4 68086200	COMPLETE DOME LAMP	1
	4 68271400	COMPLETE DOME LAMP	1
	5 657818..	COMPLETE R.H. SUN SCREEN	1
	6 657817..	COMPLETE L.H. SUN SCREEN	1
	7 689137..	COMPLETE R.H. CENTRAL PILLAR COVER	1
	7 688789..	LINING	1
	8 689142..	COMPLETE L.H. CENTRAL PILLAR COVER	1
	9 65795700	L.H. SLIDE PLATE	1
	9 65795600	R.H. SLIDE PLATE	1
	10 65069900	FIXING PLATE	2
	11 65069900	SCREW	4
	12 66321000	CENTRAL PADDING	2
	13 14186880	RETAINER	4
	14 66185900	LOWER BRACKET	2
	15 62766300	CLIP	4
	16 16296927	SCREW	10
	17 66185800	UPPER BRACKET	2
	18 14305674	SCREW	2
	19 12639724	WASHER	2
	20 12601274	WASHER	2
	21 64830600	SCREW	6
	22 12644477	WASHER	6
	23 14648490	NUT	6
	24 13313477	SCREW	4

<111 Chassis - Gaskets - Mouldings>

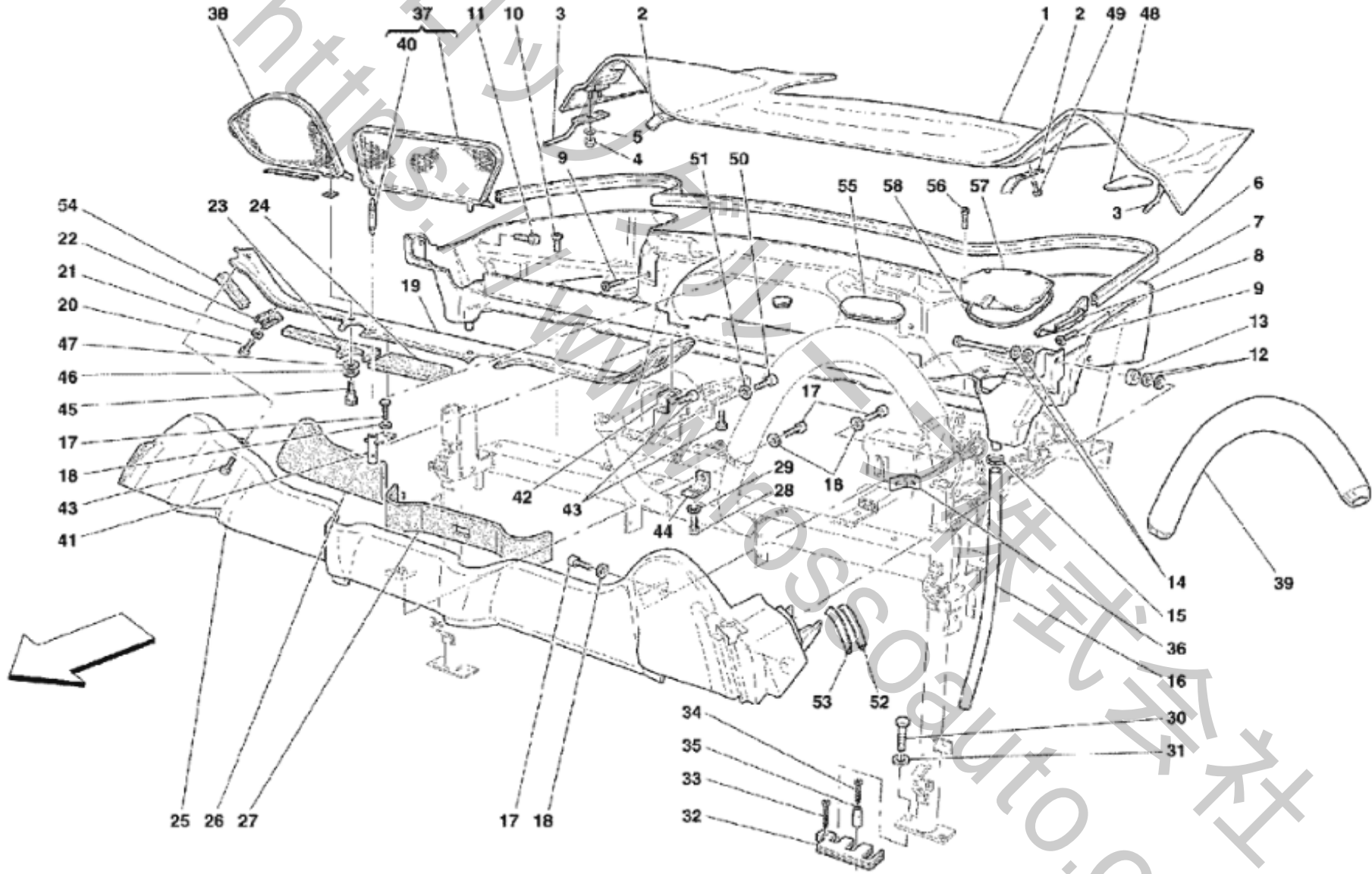


http://www.sosauto.com 株式会社

<111 Chassis - Gaskets - Mouldings>

No.	Part No.	Name	Qty
1	66374600	COMPLETE EXTERNAL TRIM	1
1	66374602	COMPLETE EXTERNAL TRIM	1
1	66374603	COMPLETE EXTERNAL TRIM	1
1	66374605	COMPLETE EXTERNAL TRIM	1
1	66374606	COMPLETE EXTERNAL TRIM	1
2	66374900	TOP REAR WINDOW	1
3	66687000	RIVET	12
4	66683900	SCREW	2
5	66687100	WASHER	2
6	66460400	GASKET FOR BRACKET	1
7	66684700	SCREW	2
8	66374700	COMPLETE INNER TRIM	1
9	66687200	SCREW	6
10	66687300	WASHER	6
11	66687400	SCREW	4
12	66459700	L.H. REAR TOP GASKET	1
12	66459800	R.H. REAR TOP GASKET	1
13	66460000	L.H. REAR LIMIT STOP STRIP	1
13	66460100	R.H. REAR LIMIT STOP STRIP	1
14	66459900	SUPPLEMENTARY GASKET	2
15	66687500	SCREW	2
16	66459500	L.H. FRONT LIMIT STOP STRIP	1
16	66459600	R.H. FRONT LIMIT STOP STRIP	1
17	66459300	SUPPLEMENTARY GASKET	2
18	66459200	FRONT TOP GASKET	1
19	66687600	SCREW	8
20	66459400	FRONT TRASVERSAL LIMIT STOP STRIP	1
21	66687700	CLIP	7
22	66462200	TRASVERSAL TOP FRAME PANEL	1
23	67049700	FLEXIBLE	2

<112 Linings and Capote Top Housing>

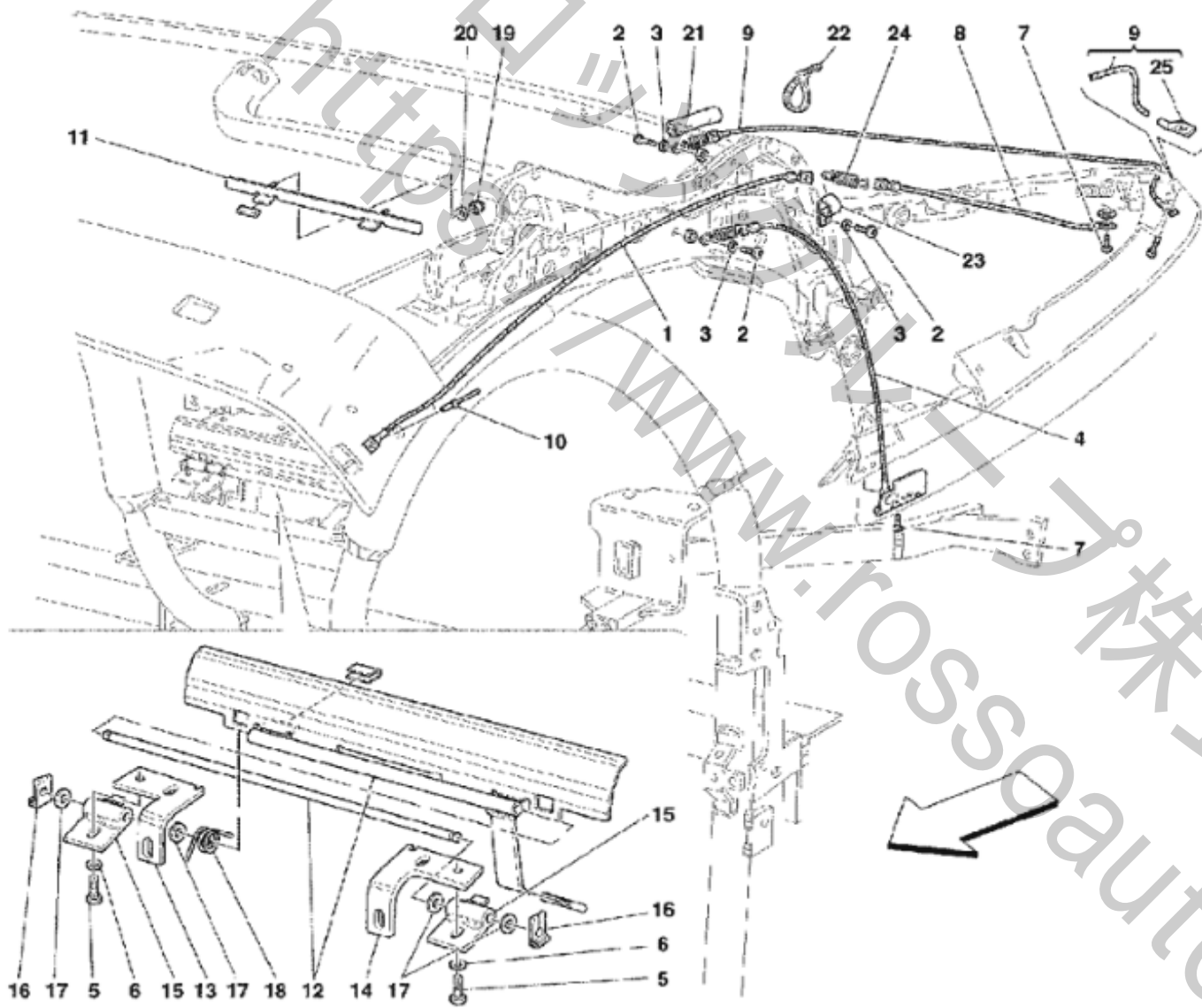


<112 Linings and Capote Top Housing>

No.	Part No.	Name	Qty
1	66461700	REAR PASSENGER COMPARTMENT COVER	1
2	66691600	BRACKET	2
3	66691500	BRACKET	2
4	66691300	NUT	4
5	66691400	WASHER	4
6	66460800	SOFT TOP PROFILE	1
7	66394500	CAPOTE TOP HOUSING	1
8	66460900	L.H. SOFT TOP SHAPED EDGE	1
8	66461000	R.H. SOFT TOP SHAPED EDGE	1
9	66691200	SCREW	6
10	66680600	SCREW	2
11	66685300	SCREW	2
12	66683500	WASHER	4
13	66691800	WASHER	2
14	66684000	WASHER	4
15	66692000	CLAMP	2
16	66692100	WATER EXHAUST TUBE	2
17	66691700	SCREW	7
18	66684000	WASHER	7
19	66461900	REAR ROLL BAR COVER	1
20	66689400	SCREW	2
21	66681000	WASHER	2
22	66692200	THICKNESS	2
23	66692400	L.H. THICKNESS FOR REAR COVER	1
23	66692500	R.H. THICKNESS FOR REAR COVER	1
24	66692300	CENTRAL THICKNESS FOR REAR COVER	1
25	66461800	FRONT ROLL BAR COVER	1
26	66692600	L.H. THICKNESS FOR FRONT COVER	1
26	66692700	R.H. THICKNESS FOR FRONT COVER	1
27	66692800	CENTRAL THICKNESS FOR FRONT COVER	1
28	66689400	SCREW	1
29	66687300	WASHER	1
30	11307021	SCREW	4
31	11190679	WASHER	4
32	183155	THICKNESS TH.1 mm	2
32	183156	THICKNESS TH.1,5 mm	2

32	182478 THICKNESS TH.3 mm	2
33	15904070 SCREW	2
34	15687470 SCREW	2
35	184628 CENTERING PIN	2
36	66691900 BRACKET	2
37	66754800 CENTRAL WINDSTOP	1
38	66755000 L.H. LATERAL WINDSTOP	1
38	66755100 R.H. LATERAL WINDSTOP	1
39	66763600 ROLL BAR COVER	2
40	66457200 PIN FOR WINDSTOP	2
41	67047800 BLOCK FOR PIN	2
42	67047600 BRACKET	2
43	67047700 SCREW	6
44	67048400 BRACKET	1
45	66457400 SCREW	4
46	14446670 WASHER	4
47	66713900 WASHER	4
48	67048200 PROTECTION	2
49	67048100 SCREW	2
50	66691700 SREW	2
51	66684000 WASHER	2
52	67500500 R.H. MOULDING	1
52	67047900 L.H. MOULDING	1
53	67048000 GASKET	2
54	67056700 THICKNESS FOR REAR COVER	2
55	67386500 COVER ACCESS SPACE FRAME	1
56	67580700 SCREW	1
57	67580800 L.H. COVER ACCESS FUEL PUMP	1
57	67580900 R.H. COVER ACCESS FUEL PUMP	1
58	67584400 GASKET	1
59	69059400 BAG FOR CENTRAL WINDSTOP	1
60	68938000 GASKET	1
61	66231300 R.H. LATERAL GASKET	1
62	66231400 L.H. LATERAL GASKET	1
63	69910500 R.H. GASKET	1
64	69910600 L.H. GASKET	1

<113 Capote Mechanism and Tie Rods>

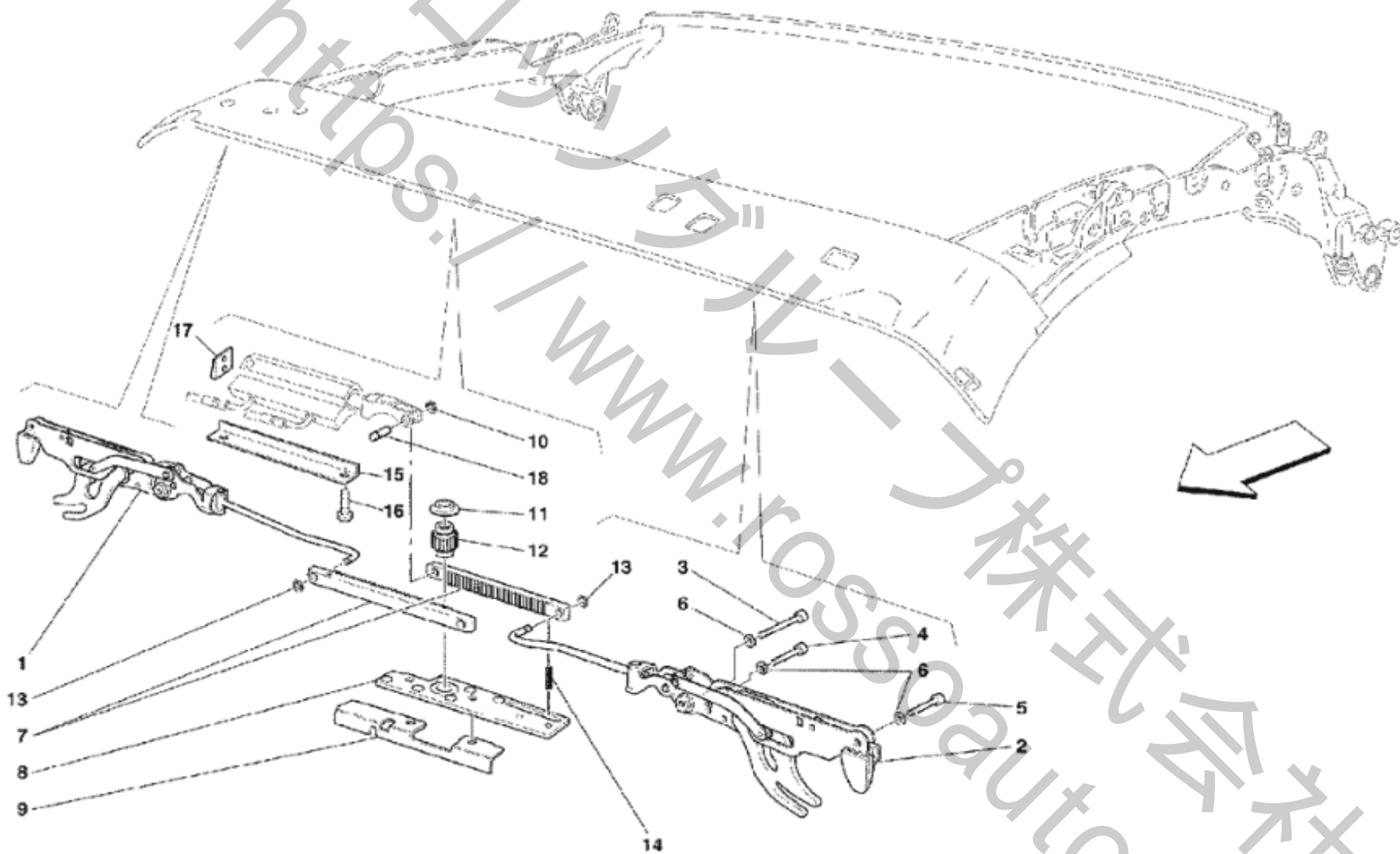


rossi auto 株式会社
rossi auto.com

<113 Capote Mechanism and Tie Rods>

No.	Part No.	Name	Qty
1	66467900	FRAME TOP STRETCH CABLE	2
2	66687500	SCREW	6
3	66689900	WASHER	6
4	66468000	PILLAR STRETCH CABLE	2
5	66690500	SCREW	2
6	66690600	WASHER	2
7	66683900	SCREW	4
8	66375900	LOWER FINNED POCKET STRETCH CABLE	2
9	66375800	UPPER FINNED POCKET STRETCH CABLE	2
10	66690000	RIVET	2
11	66691100	CENTERING BRACKET	1
12	66691000	CHECK DEFLECTOR	1
13	66690900	BRACKET FOR R.H. REST	1
14	66690800	BRACKET FOR L.H. REST	1
15	66690700	PLATE	2
16	66682200	FLEXIBLE CLIP	2
17	66690400	WASHER	4
18	66690300	SPRING	2
19	66686200	NUT	2
20	66686100	WASHER	2
21	67050400	SHEATH	2
22	67050500	CLAMP	2
23	67050600	CLIP FOR CABLE	2
24	67052700	SPRING	2
25	67056900	BUSHING	2

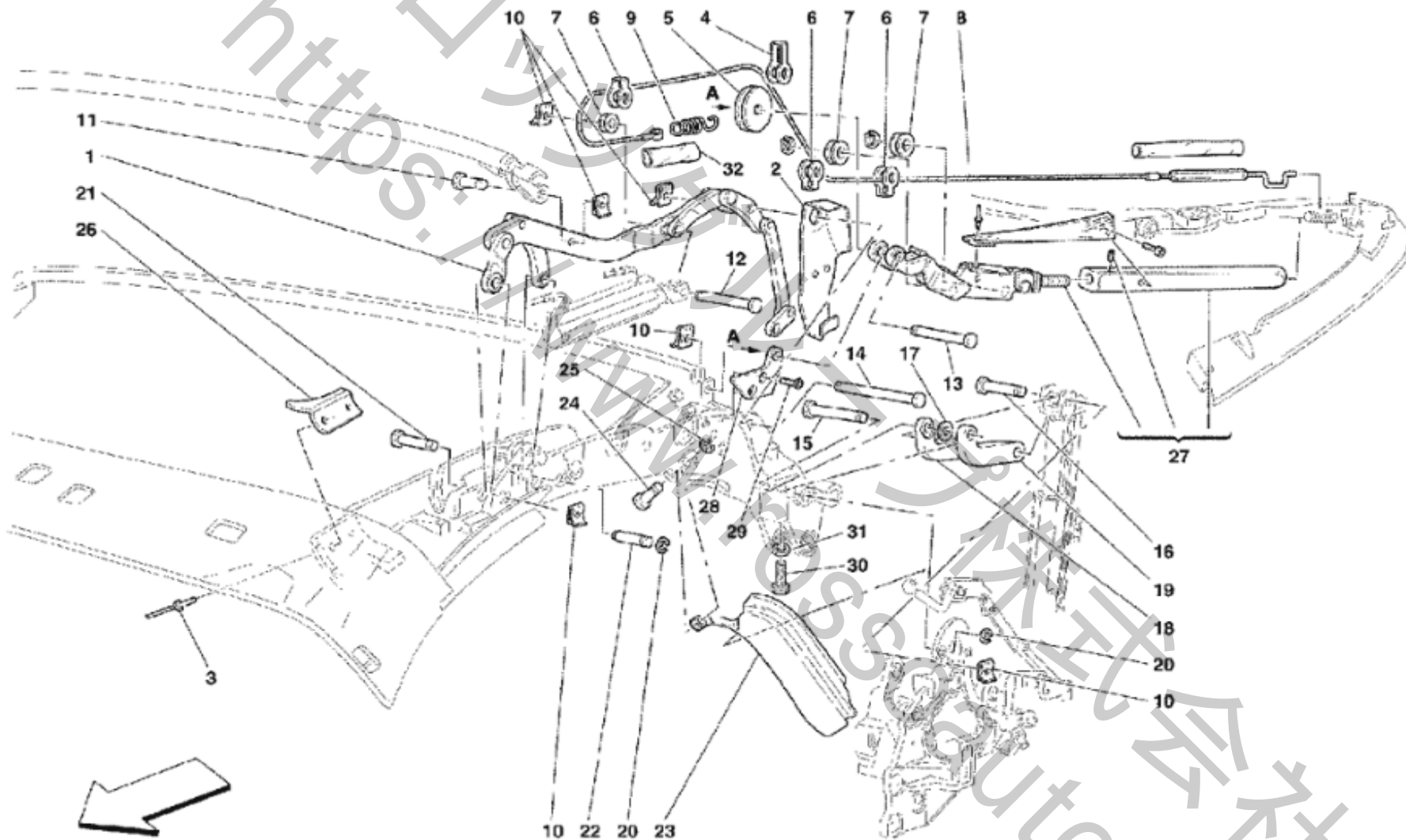
<114 Capote Front Closing>



<114 Capote Front Closing>

No.	Part No.	Name	Qty
1	66462500	R.H. COMPLETE SEAL	1
2	66462400	L.H. COMPLETE SEAL	1
3	66681100	SCREW	2
4	66681200	SCREW	2
5	66681300	SCREW	2
6	66681000	WASHER	6
7	66681700	RACK	1
8	66680300	CENTRAL PLATE	1
9	66680200	PLATE	1
10	66680800	SEEGER	1
11	66681400	BUSHING	2
12	66681500	TOOTHED PIN	1
13	66680400	SEEGER	2
14	66681600	PIN	1
15	66680500	PLATE	1
16	66680600	SCREW	2
17	66680900	SMALL PLATE	1
18	66680700	PIN	1

<115 Capote Movement - Upper Part>

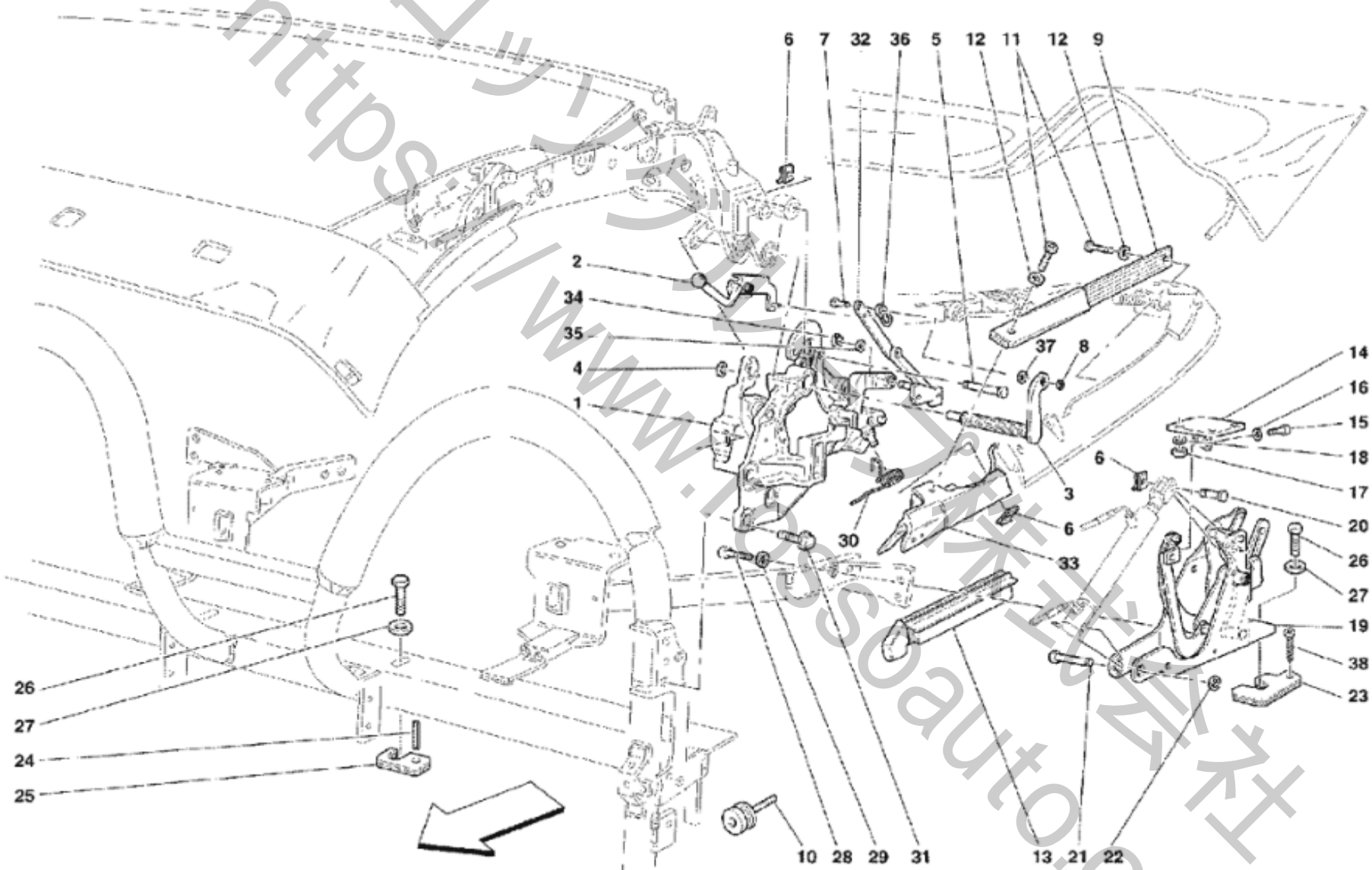


<115 Capote Movement - Upper Part>

No.	Part No.	Name	Qty
1	66458200	L.H. FLOATING ARM	1
1	66458300	R.H. FLOATING ARM	1
2	66694000	L.H. PANEL	1
2	66693900	R.H. PANEL	1
3	66693000	RIVET	4
4	66688100	BRACKET FOR PULLEY	2
5	66688000	PULLEY	2
6	66687900	BRACKET FOR PULLEY	6
7	66687800	PULLEY	6
8	67047300	STRETCH CABLE	2
9	66688200	SPRING	2
10	66682200	CLIP	12
11	66682100	PIN	2
12	66682800	PIN	2
13	66682700	PIN	2
14	66683200	PIN	2
15	66683300	PIN	2
16	66682900	PIN	2
17	66694100	WASHER	2
18	66683100	R.H. BRACKET	2
19	66683000	L.H. BRACKET	2
20	66682400	SEEGER RING	4
21	66682000	PIN	2
22	66682300	PIN	2
23	66460200	L.H. PILLAR	1
23	66460300	R.H. PILLAR	1
24	66682500	PIN	2
25	66682600	SEEGER RING	2
26	66681900	L.H. BRACKET	1
26	66681800	R.H. BRACKET	1
27	67047100	COMPLETE L.H. TRIPLE JOINT WITH CABLE Ref. 8	1
27	67047200	COMPLETE R.H. TRIPLE JOINT WITH CABLE Ref. 8	1
28	67048800	PLATE FOR TRIPLE JOINT	2
29	67048900	SCREW	4
30	67048500	SCREW	2
31	67048600	NUT	2

ロッシオータ
<https://www.rossoauto.com> 株式会社

<116 Capote Movement - Lower Part>



<116 Capote Movement - Lower Part>

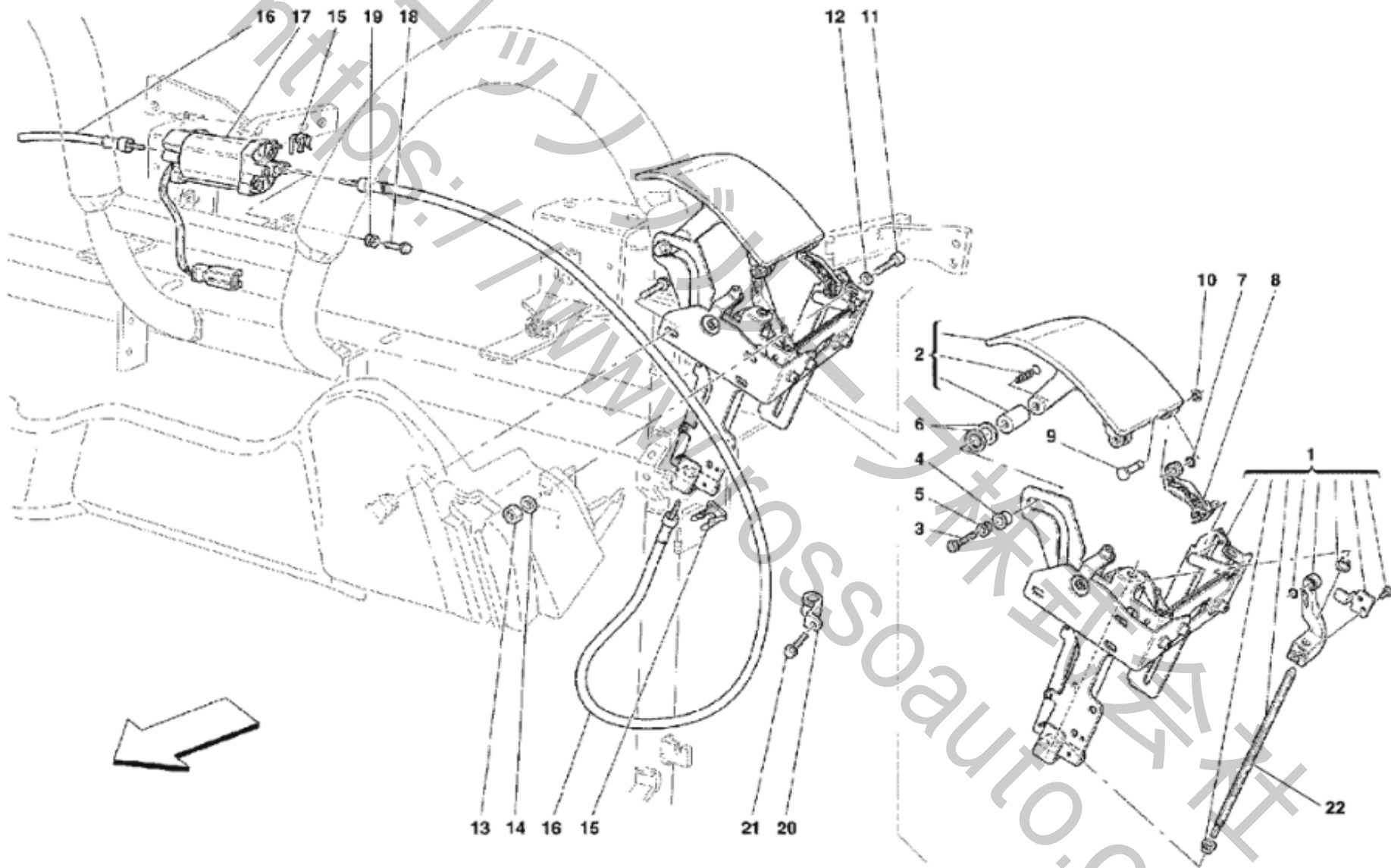
No.	Part No.	Name	Qty
1	66457600	L.H. MASTER SUPPORT	1
1	66457700	R.H. MASTER SUPPORT	1
2	66689700	L.H. TIE ROD	1
2	66689800	R.H. TIE ROD	1
3	66457800	L.H. COMPLETE SPLINED PIN	1
3	66457900	R.H. COMPLETE SPLINED PIN	1
4	66683700	WASHER	2
5	66682000	PIN	2
6	66682200	CLIP	6
7	66683800	PIN	2
8	66684500	SEEGER RING	2
9	66689100	ELASTIC WITH PROTECTION	2
10	183177	ADJUSTMENT TOP SCREW	2
11	66683900	SCREW	4
12	66684000	WASHER	4
13	66460600	L.H.UNION STRETCH ROD	1
13	66460700	R.H.UNION STRETCH ROD	1
14	66688500	L.H. PLATE	1
14	66688600	R.H. PLATE	1
15	66688700	SCREW	2
16	66688800	WASHER	2
17	66684200	NUT	3
18	66684100	WASHER	3
19	66457300	PASSENGER COMPARTMENT L.H. REARKINEMATIC MOTION	1
19	66457500	PASSENGER COMPARTMENT R.H. REAR KINEMATIC MOTION	1
20	66684300	PIN	2
21	66684400	PIN	2
22	66682400	SEEGER RING	2
23	182479	THICKNESS TH.1 mm	2
23	183158	THICKNESS TH.1,5 mm	2
23	183157	THICKNESS TH.3 mm	2
24	14164374	FLEXIBLE PIN	2
25	184161	THICKNESS TH.1 mm	2
25	184162	THICKNESS TH.1,5 mm	2
25	184159	THICKNESS TH.3 mm	2
26	11307021	SCREW	4

27	11190679	WASHER	4
28	66683400	SCREW	4
29	66683500	WASHER	4
30	66688400	L.H. SPRING	1
30	66688300	R.H. SPRING	1
31	66683600	SCREW	2
32	66958900	L.H. LEVER	1
32	66958800	R.H. LEVER	1
33	66688900	L.H. MOULDING	1
33	66689000	R.H. MOULDING	1
34	66682600	SEEGER RING	2
35	67049400	WASHER	2
36	67049600	RETAINING SMALL PLASTIC PLATE	2
37	67049500	WASHER	2
38	15904070	SCREW	2

<http://www.rossoauto.com>

 株式会社

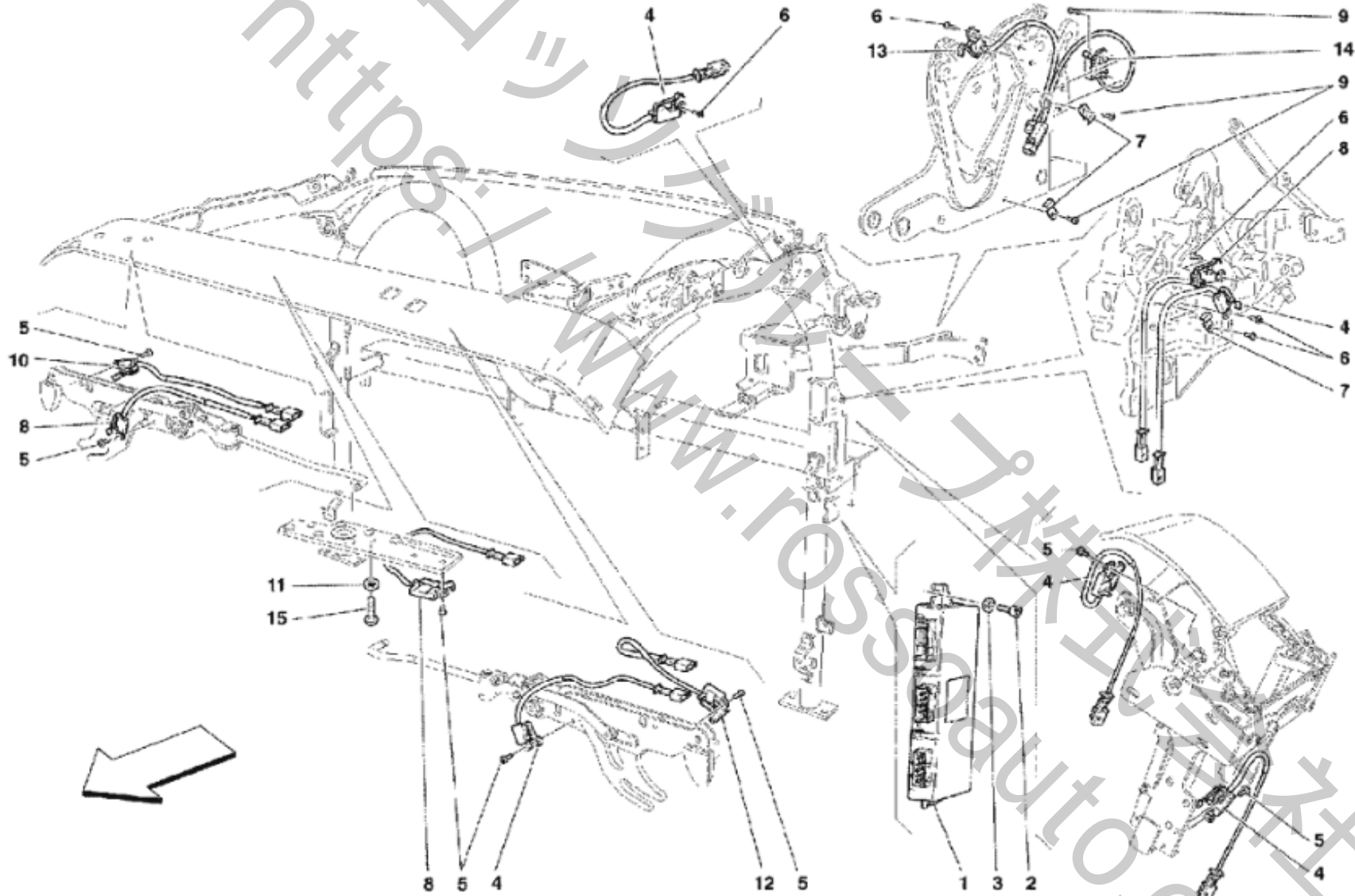
<117 Capote Control and Flaps>



<117 Capote Control and Flaps>

No.	Part No.	Name	Qty
1	66458400	L.H. CAPOTE FLAP SUPPORT	1
1	66458500	R.H. CAPOTE FLAP SUPPORT	1
2	66462000	L.H. LATERAL CAPOTE FLAP	1
2	66462100	R.H. LATERAL CAPOTE FLAP	1
3	66689400	SCREW	2
4	66685100	BUSHING	2
5	66684600	BUSHING	2
6	66685200	WASHER	4
7	66684900	O.R. GASKET	2
8	66458700	L.H. SUPPORT LEVER	1
8	66458800	R.H. SUPPORT LEVER	1
9	66685000	PIN	2
10	66680400	SEEGER RING	2
11	66686000	SCREW	2
12	66681000	WASHER	2
13	66686200	NUT	2
14	66684000	WASHER	2
15	66685500	CLIP	2
16	66458600	DEFLECTOR TRANSMISSION CABLE	2
17	66457000	DEFLECTOR MOTOR	1
18	66685300	SCREW	4
19	66685400	RUBBER	4
20	65996800	BRACKET	2
21	16296927	SCREW	2
22	66458400	L.H. THREADED PIN	1
22	66458500	R.H. THREADED PIN	1

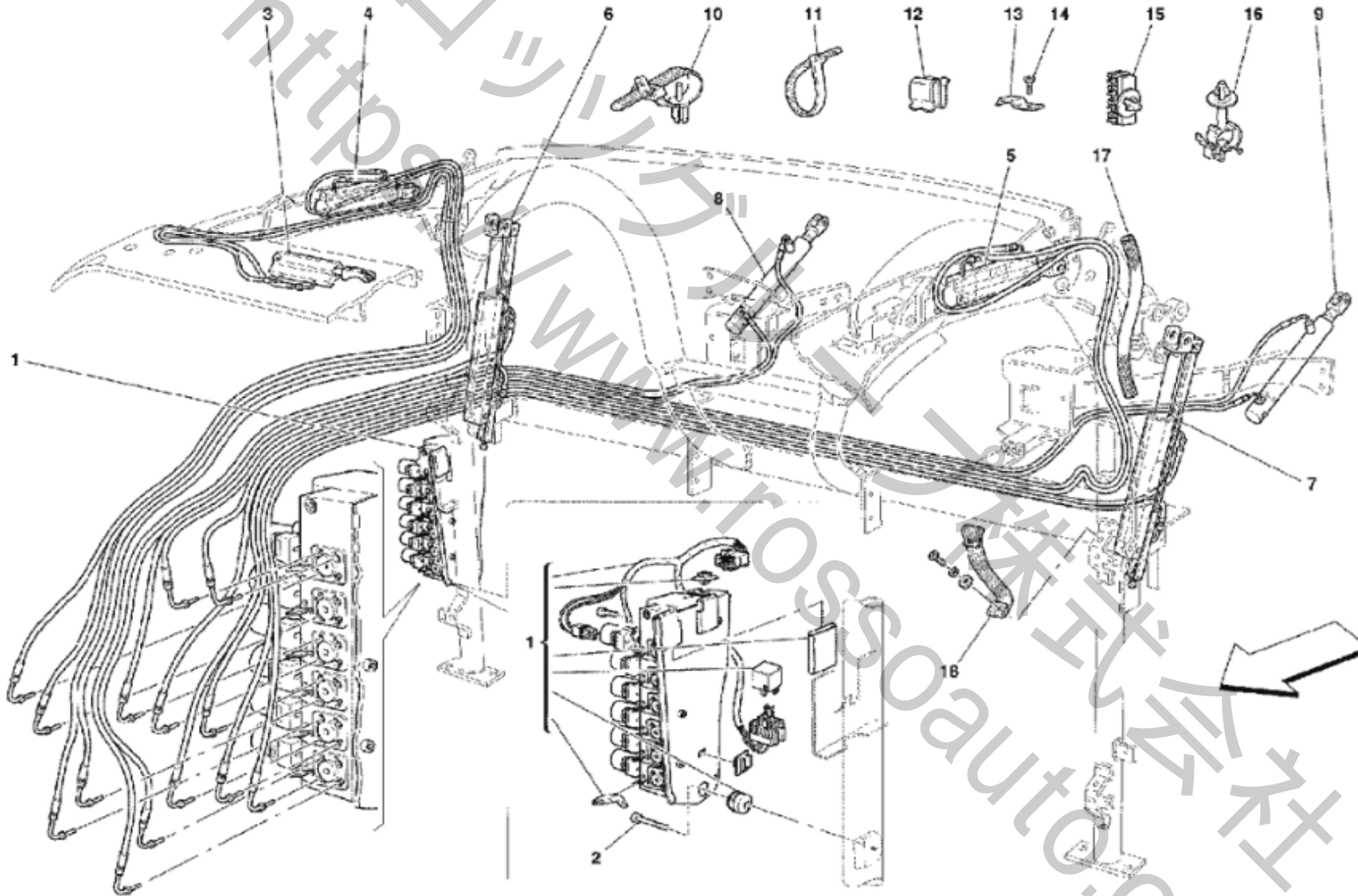
<118 Capote Control Station and Microswitches>



<118 Capote Control Station and Microswitches>

No.	Part No.	Name	Qty
1	66455000	CONTROL STATION	1
2	66685900	SCREW	1
3	66686300	WASHER	1
4	66455800	R.H. MICRO-SWITCH	5
5	66685800	SCREW	7
6	66683900	SCREW	5
7	66685700	SMALL PLATE	3
8	66455500	L.H. MICRO SWITCH	3
9	66685600	SCREW	3
10	66456700	R.H. MICRO SWITCH WITH LEVER	1
11	66681000	WASHER	2
12	66456200	L.H. MICRO SWITCH WITH LEVER	1
13	66456000	MICRO-SWITCH WITH Z LEVER	1
14	66959100	L.H. MICRO SWITCH	1
15	66680100	SCREW	2

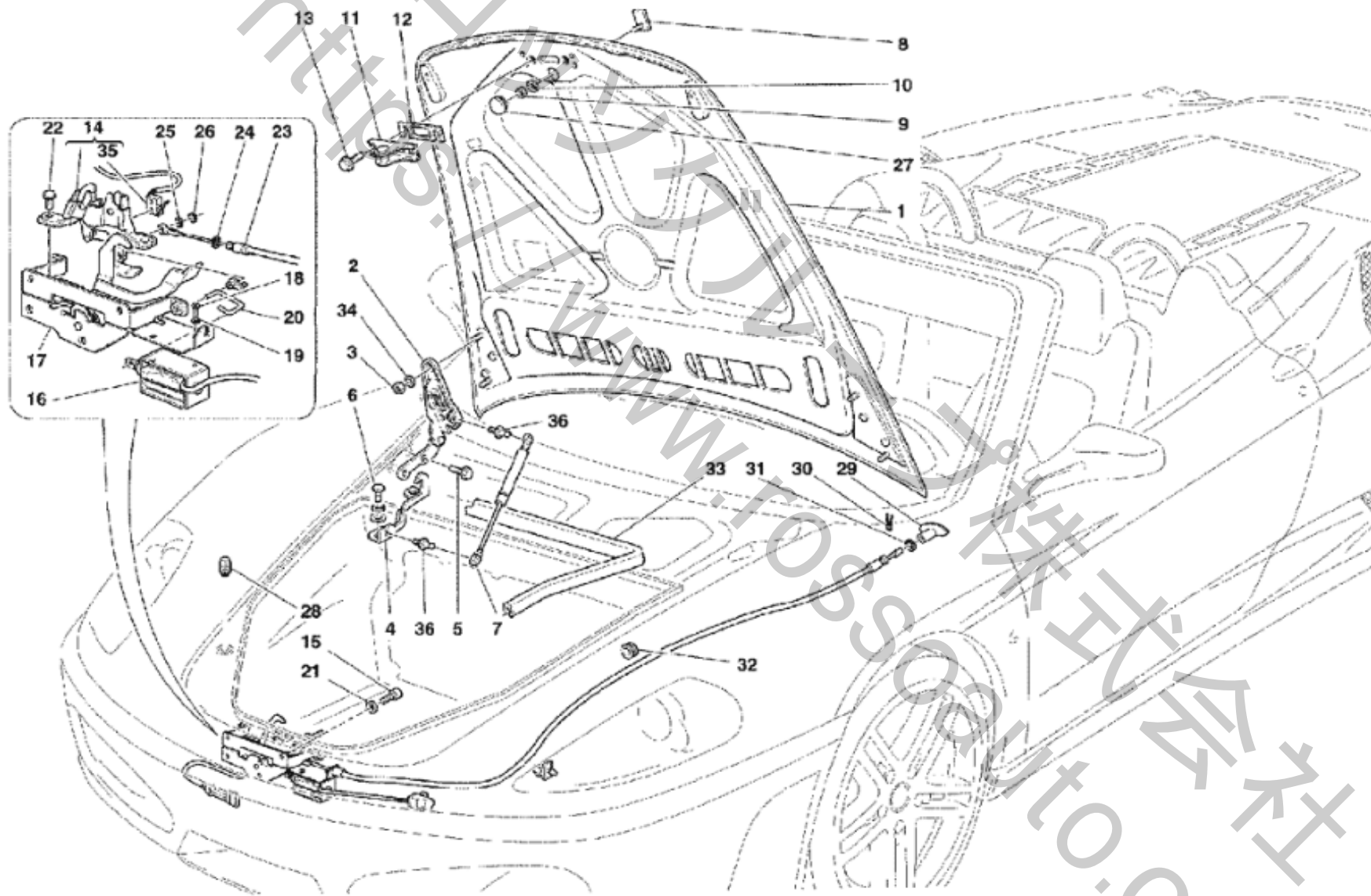
<119 Hydraulic Plant and Electrohydraulic Pump>



<119 Hydraulic Plant and Electrohydraulic Pump>

No.	Part No.	Name	Qty
0	66954300	COMPLETE HYDRAULIC SYSTEM	1
1	66376000	ELECTROHYDRAULIC CONTROL UNIT	1
2	66683600	SCREW	1
3	66454700	FRAME TOP SEAL MAIN CYLINDER	1
4	66454100	FRAME TOP SEAL R.H. SECONDARY CYLINDER	1
5	66454000	FRAME TOP SEAL L.H. SECONDARY CYLINDER	1
6	66453900	COMPLETE R.H. MAIN CYLINDER	1
7	66453800	COMPLETE L.H. MAIN CYLINDER	1
8	66454300	REAR GUARD R.H. CYLINDER	1
9	66454200	REAR GUARD L.H. CYLINDER	1
10	66686500	CLAMP	1
11	66686600	CLAMP	1
12	66686700	CLIP	1
13	66686800	BRACKET	1
14	66683900	SCREW	1
15	67049000	CLIP	1
16	67049100	CLAMP	1
17	67049200	SHEATH	2
18	67049300	FLEXIBLE RETAINING PIPES	2
19	81060900	L.H. SHIELD	1
19	81060800	R.H. SHIELD	1
20	65377400	SCREW	4
21	11194779	WASHER	4

<120 Front Hood and Opening Device>

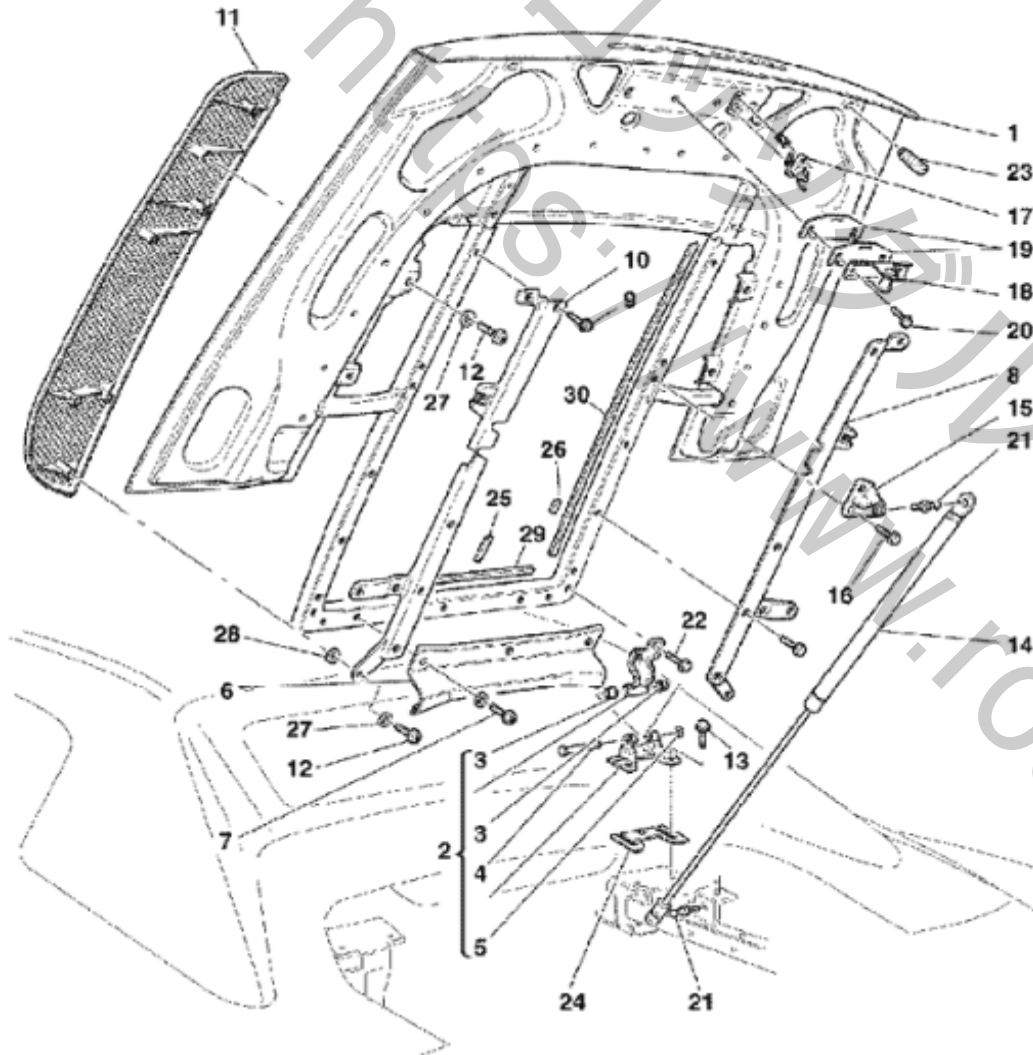


<120 Front Hood and Opening Device>

No.	Part No.	Name	Qty
1	80870811	COMPLETE FRONT HOOD BONNET	1
1	80870811	COMPLETE FRONT HOOD BONNET	1
2	65712300	COMPLETE L.H. HINGE	1
2	80945900	COMPLETE L.H. HINGE	1
2	65712200	COMPLETE R.H. HINGE	1
2	80945700	COMPLETE R.H. HINGE	1
3	13832211	NUT	4
4	65710700	L.H. BRACKET	1
4	65710600	R.H. BRACKET	1
5	16287124	SCREW	4
6	16287127	SCREW	4
7	67508100	SHOCK ABSORBER FOR HOOD SUPPORT	2
7	80136300	SHOCK ABSORBER FOR HOOD SUPPORT	1
8	65394800	FRONT ORNAMENT	1
9	169180	NUT	1
10	10519378	WASHER	1
11	65770100	STRIKER	1
12	65772100	THICKNESS	1
13	16286027	SCREW	2
14	67046200	COMPLETE INNER DEVICE FOR FRONT HOOD OPENING	1
15	13027026	SCREW	4
16	65757300	ACTUATOR	1
17	67011600	COMPLETE BRACKET	1
17	80804300	COMPLETE BRACKET	1
17	67364800	COMPLETE BRACKET	1
17	80807300	COMPLETE BRACKET	1
18	13271814	SCREW	2
19	127492	WASHER	2
20	65777800	SMALL ROD	1
21	11194674	WASHER	4
22	16296927	SCREW	2
23	65801300	CABLE FOR FRONT HOOD OPENING	1
23	67404100	CABLE FOR FRONT HOOD OPENING	1
23	69328800	CABLE FOR FRONT HOOD OPENING	1
24	11087676	FLEXIBLE RING	1
25	14496101	WASHER	1

26	11087476 FLEXIBLE RING	1
27	14506787 PLUG	1
28	65546600 SMALL BLOCK	2
29	60710900 EMERGENCY HANDLE	1
30	60711000 CLIP	1
31	11087674 FLEXIBLE RING	1
32	10396180 CABLE GROMMET	2
33	65850000 GASKET FOR TRUNK HOOD	1
34	12646724 WASHER	4
35	67493300 MICRO SWITCH	1
36	65939900 PIN	4
37	60276805 DOWEL	1
38	67053000 HANDLE FOR SAFETY CHILDREN	1
39	62854300 FIXING CLIP	1
40	67365100 ACTUATOR	1
41	60538800 RING NUT	1
42	67558300 SMALL LINK	2
43	67555700 PIN	2
44	11087476 FLEXIBLE RING	2
45	67405000 EMERGENCY CABLE	1
46	10396180 CABLE GROMMET	1
47	65897700 CLIP	1
47	177553 CLAMP	1
48	69977000 R.H. BRACKET ASSEMBLY	1
48	69977100 L.H. BRACKET ASSEMBLY	1

<121 Engine Bonnet>

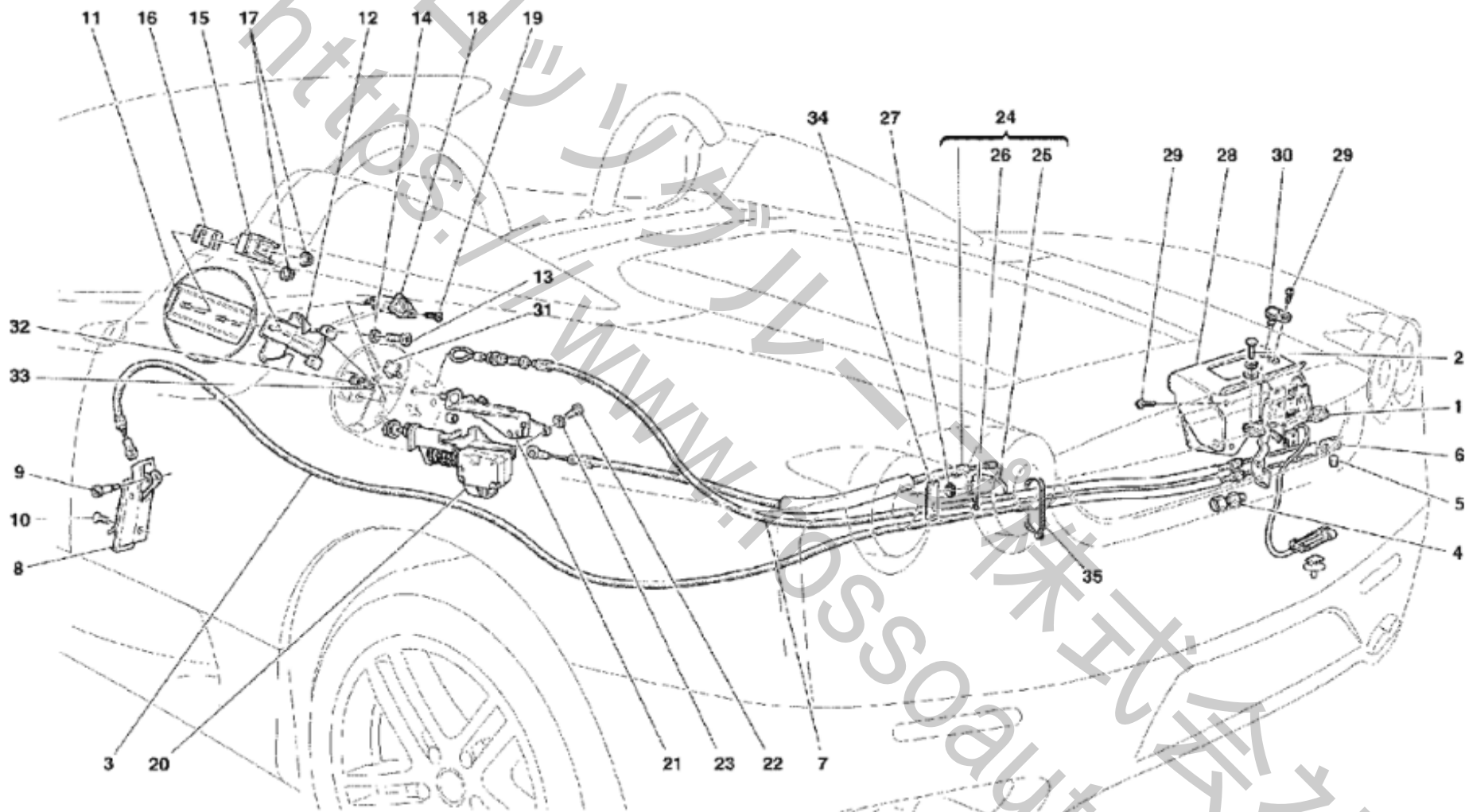


株式会社
OSSOauto.com

<121 Engine Bonnet>

No.	Part No.	Name	Qty
1	68413111	SHEETED REAR HOOD BONNET	1
2	65789900	L.H. HINGE	1
2	65789500	R.H. HINGE	1
3	62825300	HINGE BUSHING	8
4	64807100	PIN	1
5	11087974	FLEXIBLE RING	2
6	65796700	FRONT HOOD CONTOUR	1
7	66294400	SCREW	3
8	68854400	R.H. PLATE	1
9	66157800	SCREW	10
10	68854500	L.H. PLATE	1
11	68581500	L.H. GRILL	1
11	68927100	L.H. GRILL	1
11	68997700	L.H. GRILL	1
11	68581400	R.H. GRILL	1
11	68927000	R.H. GRILL	1
11	68997600	R.H. GRILL	1
12	66294400	SCREW	14
13	16287124	SCREW	4
14	65796000	GAS SPRING	2
15	65526300	BRACKET	2
16	66233700	SCREW	4
17	143331	ADDITIONAL STOP LIGHT MOBILE CONTACT	1
18	64867900	HOOD CLOSING STRIKER	1
19	65524800	ADJUSTING PLATE	4
20	16286027	SCREW	2
21	65939900	PIN	2
22	66233600	SCREW	4
23	69058800	PAD	2
24	65901200	THICKNESS	4
25	65714600	SPACER	4
26	63023300	SPACER	2
27	12644478	WASHER	14
28	12643778	WASHER	14
29	67774400	GASKET	2
30	67774300	GASKET	2

<122 Opening Devices for Engine Bonnet and Gas Door>



<122 Opening Devices for Engine Bonnet and Gas Door>

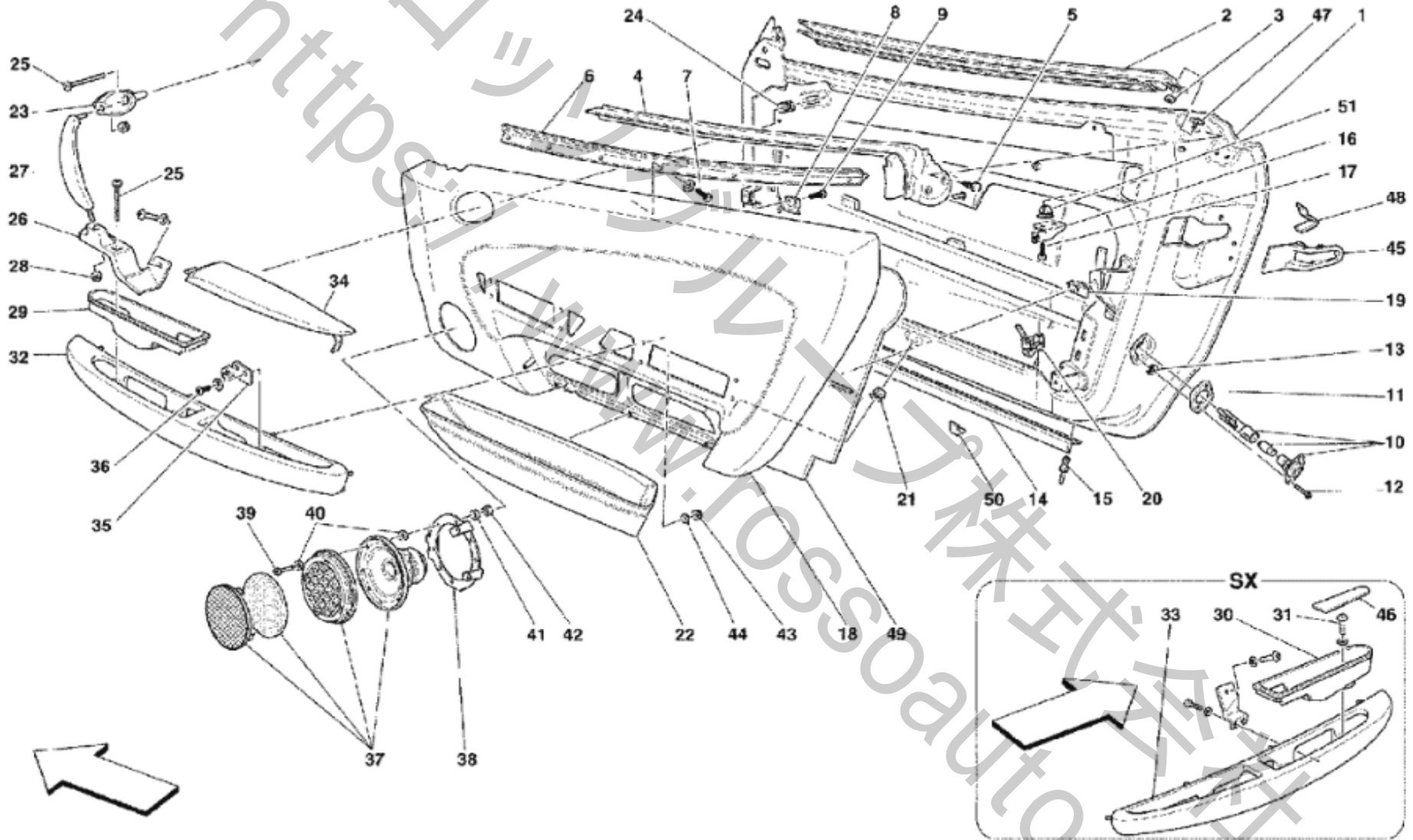
No.	Part No.	Name	Qty
1	65732400	COMPLETE ENGINE BONNET LOCK	1
1	65732500	COMPLETE ENGINE BONNET LOCK	1
2	16286127	SCREW	2
3	68746100	CABLE FOR MOTOR BONNET OPENING	1
4	62828900	REGISTER FOR CABLES	1
5	60276805	DOWEL	1
6	60276607	CONNECTION	1
7	80412000	COMPLETE SAFETY LOCK CABLE FOR ENGINE HOOD	1
7	80412100	COMPLETE SAFETY LOCK CABLE FOR ENGINE HOOD	1
8	80176200	HANDLE FOR REAR HOOD OPENING	1
9	65852000	PIN	1
10	13299477	SCREW	1
11	68430900	FUEL INLET LID(Carbon)	1
11	68034111	FUEL INLET LID	1
12	67934900	HINGE FOR GAS UNION DOOR	1
13	13274014	SCREW	2
14	12605274	WASHER	2
15	65396000	STRIKER	1
16	65396100	SPACER	2
17	14084111	NUT	2
18	153069	OPEN DOOR SWITCH	1
19	15688875	SCREW	1
20	65395900	ACTUATOR	1
20	69918500	ACTUATOR	1
21	65395800	ACTUATOR SUPPORTING BRACKET	1
21	69729700	ACTUATOR SUPPORTING BRACKET	1
22	15641275	SCREW	2
22	15689601	SCREW	2
23	14496277	WASHER	2
24	65701000	COMPLETE SAFETY CABLE FOR GAS UNION DOOR	1
24	69775300	COMPLETE SAFETY CABLE FOR GAS UNION DOOR	1
25	60710900	EMERGENCY HANDLE	1
26	60711000	CLIP	1
27	11087676	FLEXIBLE RING	2
28	65756100	ENGINE BONNET LOCK SHIELD	1
29	13297477	SCREW	1

30	62535900	ADDITIONAL STOP LIGHT FIXED CONTACT	1
31	63879900	RUBBER PAD	2
32	168698	NUT	2
33	12637878	WASHER	2
34	65506500	REAR PIPE FIXING BRACKET	1
35	145854	CLAMP	1

<https://www.rossoauto.com>

ロッソ自動車株式会社

<123 Doors - Framework and Coverings>

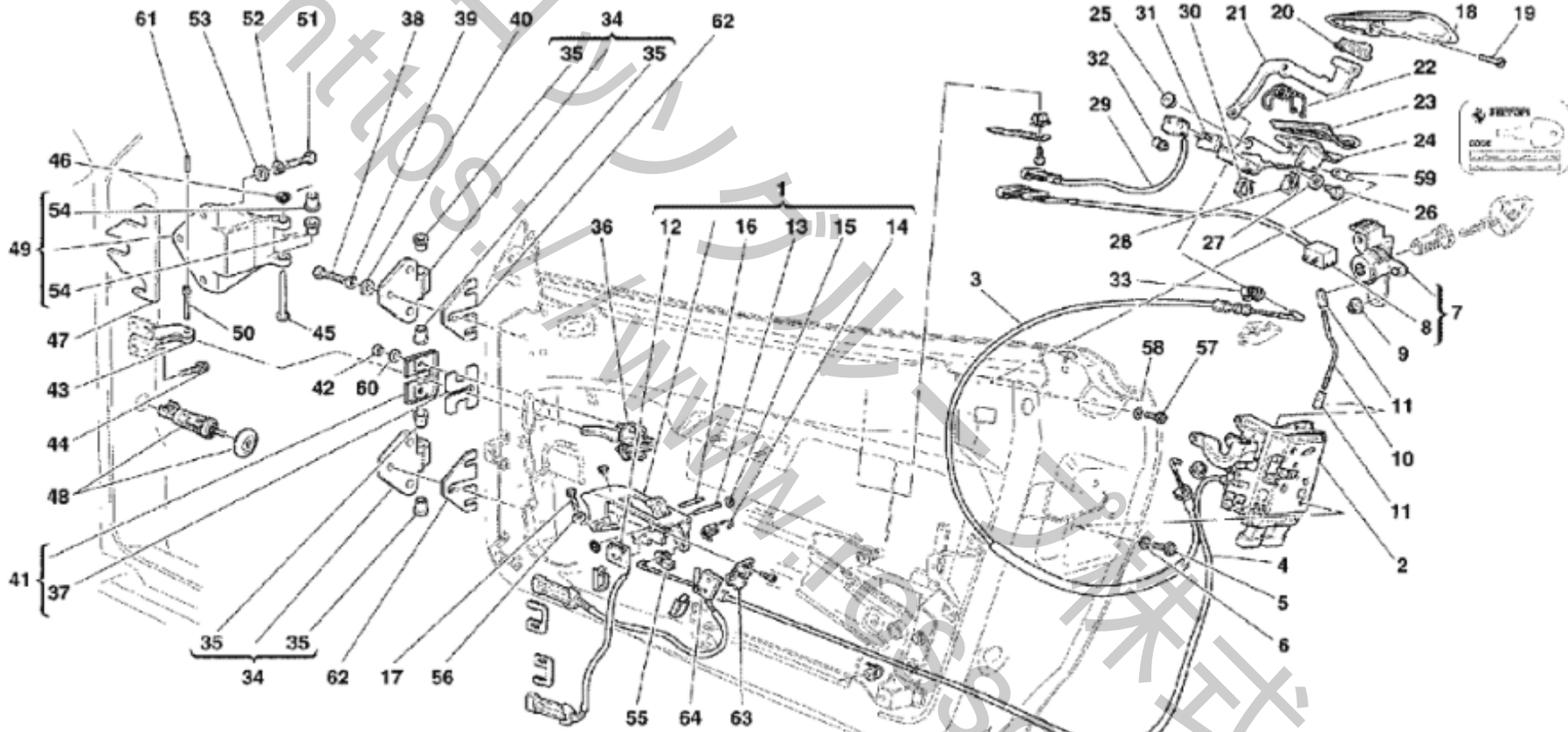


<123 Doors - Framework and Coverings>

No.	Part No.	Name	Qty
1	68489211	L.H. DOOR FRAME	1
1	68489311	R.H. DOOR FRAME	1
2	65164500	L.H. GASKET OUTER GLASS SCRAPER	1
2	65164400	R.H. GASKET OUTER GLASS SCRAPER	1
3	14042077	NUT	2
4	65544700	L.H. GASKET INNER GLASS SCRAPER	1
4	65544600	R.H. GASKET INNER GLASS SCRAPER	1
5	14591687	FIXING BUTTON	4
6	65546200	L.H. STRUCTURAL SHAPE	1
6	65013000	R.H. STRUCTURAL SHAPE	1
7	16082901	SCREW	12
8	64595200	FIXING CLIP	6
9	16082901	SCREW	12
10	184786	OPENING DOOR LAMP	2
11	140576	GASKET	2
12	15901570	SCREW	4
13	61828500	FIXING CLIP	4
14	64855600	GASKET	2
15	62764000	RIVET	14
16	65547800	L.H. BRACKET	1
16	65546400	R.H. BRACKET	1
17	15644075	SCREW	4
18	681694..	L.H. COVERED DOOR PANEL	1
18	684139..	L.H. COVERED DOOR PANEL	1
18	681693..	R.H. COVERED DOOR PANEL	1
18	684137..	R.H. COVERED DOOR PANEL	1
19	14190290	NUT	12
20	177553	CLAMP	8
21	14201980	BLOCK	2
22	67839200	COVERED L.H. UTILITY POCKET	1
22	67805500	COVERED R.H. UTILITY POCKET	1
23	65157600	R.H. HANDLE MOULDING UPPER CONNECTION	1
24	14190190	NUT	4
25	68854100	SCREW	2
26	65157500	R.H. HANDLE MOULDING LOWER CONNECTION	1
27	651594..	R.H. HANDLE MOULDING KNOB	1

28	14059211 NUT	2
29	65011500 R.H. HANDLE PLATE	1
30	67958300 L.H. PLATE FOR HANDLE	1
31	13276077 SCREW	1
32	678044.. R.H. DOOR ARM REST	1
33	678381.. L.H. DOOR ARM REST	1
34	678398.. L.H. DOOR ARM REST INSERT	1
34	678061.. R.H. DOOR ARM REST INSERT	1
35	65702800 L.H. BRACKET	1
35	65075100 R.H. BRACKET	1
36	16082901 SCREW	4
37	188607 LOUD SPEAKER WOOFER	2
37	65865100 LOUD SPEAKER WOOFER	2
38	67960500 LOUD SPEAKER L.H. SUPPORT BRACKET	1
38	67941700 LOUD SPEAKER R.H. SUPPORT BRACKET	1
39	10444887 SCREW	7
40	14497701 WASHER	14
41	12601074 WASHER	7
42	10721911 NUT	7
43	15896411 NUT	16
44	12638104 WASHER	16
45	68640700 L.H. PLATE	1
45	68640600 R.H. PLATE	1
46	679602.. COVER	1
47	67194200 SMALL PLATE	2
48	65705300 CLIP	4
49	68643700 L.H. WATER PROTECTION CLOTH	1
49	68643600 R.H. WATER PROTECTION CLOTH	1
50	68741300 RUBBER	4
51	14201980 BLOCK	4
52	66805100 PIN	4
52	68297800 PIN	4
53	12648221 WASHER	2
54	69724300 PLUG	4
55	199130 MERCURY PLATE	1
56	179309 ADHESIVE SPONGE	2
56	198916 ADHESIVE SPONGE	2
57	67958000 PLATE	1
57	68379400 PLATE	1

<124 Doors - Framework and Coverings>



www.30auto.com

<124 Doors - Framework and Coverings>

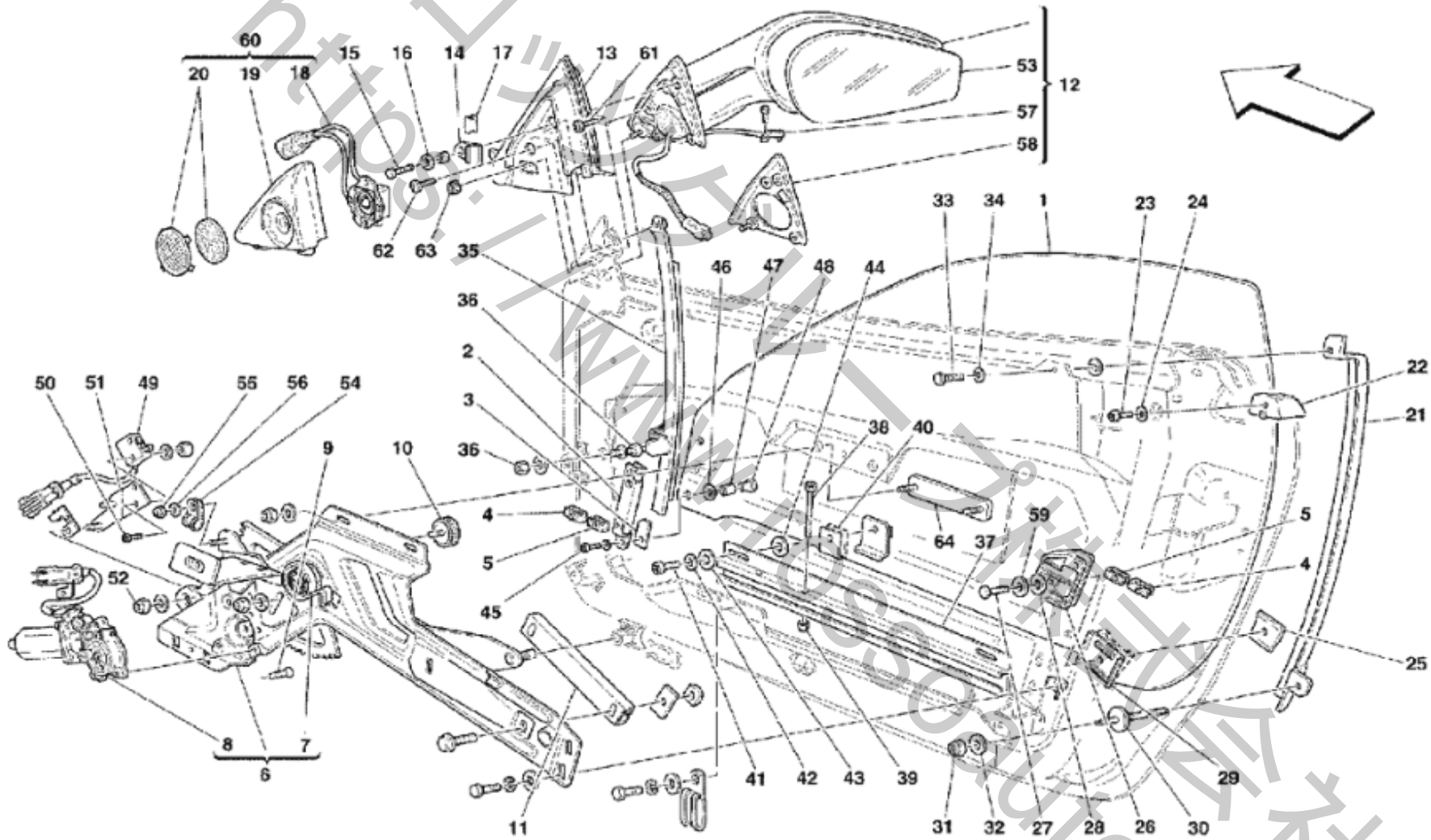
No.	Part No.	Name	Qty
1	68884600	L.H. INNER HANDLE FOR DOOR OPENING	1
1	68884500	R.H. INNER HANDLE FOR DOOR OPENING	1
2	69998100	L.H. DOOR LOCK	1
2	68993200	L.H. DOOR LOCK	1
2	69998000	R.H. DOOR LOCK	1
2	68993100	R.H. DOOR LOCK	1
3	68602600	DOOR OPENING OUTER CABLE	1
4	65069300	DOOR OPENING INNER CABLE	2
5	62940900	SCREW	6
6	13550277	WASHER	6
7	65839500	L.H. DOOR LOCK BLOCK	1
7	65839400	R.H. DOOR LOCK BLOCK	1
8	63859300	L.H. MICRO SWITCH	1
8	63859200	R.H. MICRO SWITCH	1
9	13046011	NUT	4
10	65836500	SAFETY TIE ROD	2
11	62794000	FLEXIBLE JOINT	4
12	171120	MICRO SWITCH	1
13	63723400	PIN	2
14	63724700	L.H. SPRING	1
14	63724600	R.H. SPRING	1
15	11087476	FLEXIBLE RING	2
16	65582700	FLEXIBLE PIN	2
17	13274177	SCREW	2
18	63576110	L.H. OUTER DOOR HANDLE	1
18	63576010	R.H. OUTER DOOR HANDLE	1
18	70001680	CARBON LOOK DOOR HANDLE SET	1
19	13309277	SCREW	2
20	64861200	L.H. INNER GASKET	1
20	64861100	R.H. INNER GASKET	1
21	64860600	LEVER	2
22	64860700	SPRING FOR HANDLE	2
23	64861000	L.H. HANDLE GASKET	1
23	64860900	R.H. HANDLE GASKET	1
24	64860510	L.H. HANDLE SEAT	1
24	64860410	R.H. HANDLE SEAT	1

25	65398700 BUSHING	2
26	64860800 PIN	2
27	65520700 WASHER	4
28	65398600 GUIDE	2
29	178187 MICRO SWITCH	2
30	63179900 FIXING CLIP	2
31	65806300 PLATE	2
32	63853400 RUBBER PAD	2
33	14578180 CLIP	2
34	64803300 MOBILE HINGE	4
35	62825300 BUSHING	8
36	65195200 TIE ROD	2
37	63892300 GASKET	2
38	16043934 SCREW	12
39	10571779 WASHER	12
40	14496578 WASHER	12
41	63895300 L.H. PLATE	1
41	63895200 R.H. PLATE	1
42	102741 NUT	4
43	67111800 BRACKET	2
44	18770124 SCREW	8
45	64803400 PIN	4
46	11087974 FLEXIBLE RING	4
47	65713400 THICKNESS	4
48	179697 PILLAR SWITCH	2
49	64803200 FIXED HINGE	4
50	66842800 PIN	2
51	16043534 SCREW	12
52	10571779 WASHER	12
53	13550405 WASHER	12
54	62825300 BUSHING	8
55	65700900 FIXING CLIP	2
56	12637878 WASHER	2
57	169814 SCREW	2
58	166467 WASHER	2
59	65547500 SPACER	6
60	12644424 WASHER	4
61	14163874 FLEXIBLE PIN	2
62	65998600 THICKNESS	4

63	67903900	L.H. MICRO SUPPORT BRACKET	1
63	67904000	R.H. MICRO SUPPORT BRACKET	1
64	212584	MICRO SWITCH FOR LOCKING DOORS	2
65	68917600	SWITCH PLATE	2

ロッシオーター株式会社
<https://www.rossoauto.com>

<125 Doors - Power Window and Rearview Mirror>



<125 Doors - Power Window and Rearview Mirror>

No.	Part No.	Name	Qty
1	65786400	L.H. DOOR GLASS	1
1	65786100	R.H. DOOR GLASS	1
2	63768200	L.H. GUIDE SHOE	1
2	63768100	R.H. GUIDE SHOE	1
3	63486900	GASKET	2
4	63767900	CLIP	8
5	63890100	GASKET	8
6	69919900	COMPLETE L.H. DEVICE FOR GLASS LIFT	1
6	69920000	COMPLETE R.H. DEVICE FOR GLASS LIFT	1
6	69920000	COMPLETE R.H. DEVICE FOR GLASS LIFT	1
7	65826900	HELICOIDAL SPRING	2
8	65819700	L.H. GLASS LIFTING MOTOR	1
8	65819600	R.H. GLASS LIFTING MOTOR	1
9	15916977	SCREW	6
10	65827200	STOP BUFFER	2
11	65816700	GUIDE	2
12	68742200	L.H. OUTER REAR VIEW MIRROR	1
12	68033910	L.H. OUTER REAR VIEW MIRROR	1
12	68415810	L.H. OUTER REAR VIEW MIRROR	1
12	68742300	R.H. OUTER REAR VIEW MIRROR	1
12	68034010	R.H. OUTER REAR VIEW MIRROR	1
12	68415710	R.H. OUTER REAR VIEW MIRROR	1
13	65226100	L.H. OUTER MIRROR GASKET	1
13	65226000	R.H. OUTER MIRROR GASKET	1
14	65065700	CLIP BODY	2
15	10902224	SCREW	2
16	12643778	WASHER	2
17	14184374	CLIP	2
18		LOUD SPEAKER TWEETER	2
19		L.H. INNER PLATE	1
19		R.H. INNER PLATE	1
20		PROTECTION GRILL	2
21	65062200	L.H. REAR GLASS GUIDE	1
21	65062100	R.H. REAR GLASS GUIDE	1
22	65310800	L.H. SMALL BLOCK	1
22	65310700	R.H. SMALL BLOCK	1

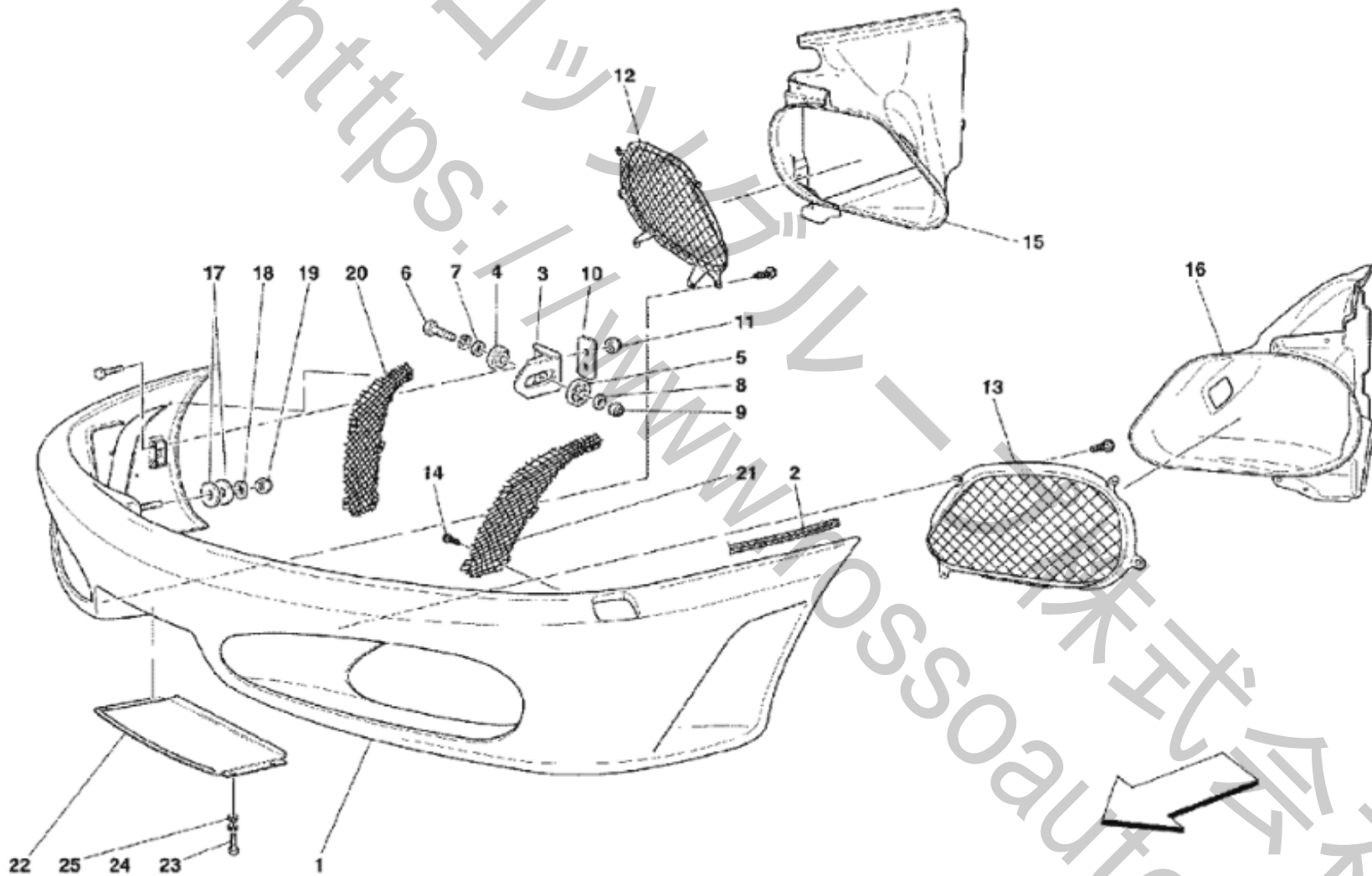
23	13274014	SCREW	2
24	12638124	WASHER	2
25	65997700	L.H. PLATE	1
25	65997500	R.H. PLATE	1
26	63853700	L.H. MOVING GUIDE	1
26	63853600	R.H. MOVING GUIDE	1
27	10903024	SCREW	2
28	12644424	WASHER	2
29	63168800	PRELOADING REGULATOR	2
30	64854600	ADJUSTMENT PIN	2
31	102741	NUT	2
32	12643778	WASHER	2
33	13836721	SCREW	2
34	12643724	WASHER	2
35	65062000	L.H. FRONT GLASS GUIDE	1
35	65061900	R.H. FRONT GLASS GUIDE	1
36	14039714	NUT	4
37	65828300	L.H. SLIDING GUIDE	1
37	65828200	R.H. SLIDING GUIDE	1
38	14303724	SCREW	4
39	62790300	NUT	4
40	65807300	PLATE GASKET	4
41	14305424	SCREW	4
42	12601279	WASHER	4
43	12643724	WASHER	4
44	12647624	WASHER	4
45	13297377	SCREW	4
46	62798000	WASHER	4
47	62932800	SPACER	4
48	62932900	BUSH	4
49	168617	MICRO-SWITCH	2
50	15687978	SCREW	4
51	65907500	L.H. MOBILE BRACKET	1
51	65907400	R.H. MOBILE BRACKET	1
52	14084011	NUT	4
53	68981700	L.H. OUTER REAR VIEW MIRROR GLASS	1
53	69416300	L.H. OUTER REAR VIEW MIRROR GLASS	1
53	68981600	R.H. OUTER REAR VIEW MIRROR GLASS	1
53	69416200	R.H. OUTER REAR VIEW MIRROR GLASS	1

54	10418601 BRACKET	2
55	102741 NUT	2
56	12644424 WASHER	2
57	65889400 OUTSIDE TEMPERATURE FEELER	1
58	66481900 L.H. REAR VIEW OUTER PLATE	1
58	66481800 R.H. REAR VIEW OUTER PLATE	1
59	127494 WASHER	2
60	66694300 COMPLETE L.H. INNER PLATE	1
60	69835300 COMPLETE L.H. INNER PLATE	1
60	66799700 COMPLETE R.H. INNER PLATE	1
60	66694200 COMPLETE R.H. INNER PLATE	1
61	65713200 SCREW	2
62	65366700 SCREW	2
63	13831801 NUT	4
64	66075200 BRACKET	2

<http://www.rossoauto.com>

 株式会社

<126 Front Bumper>



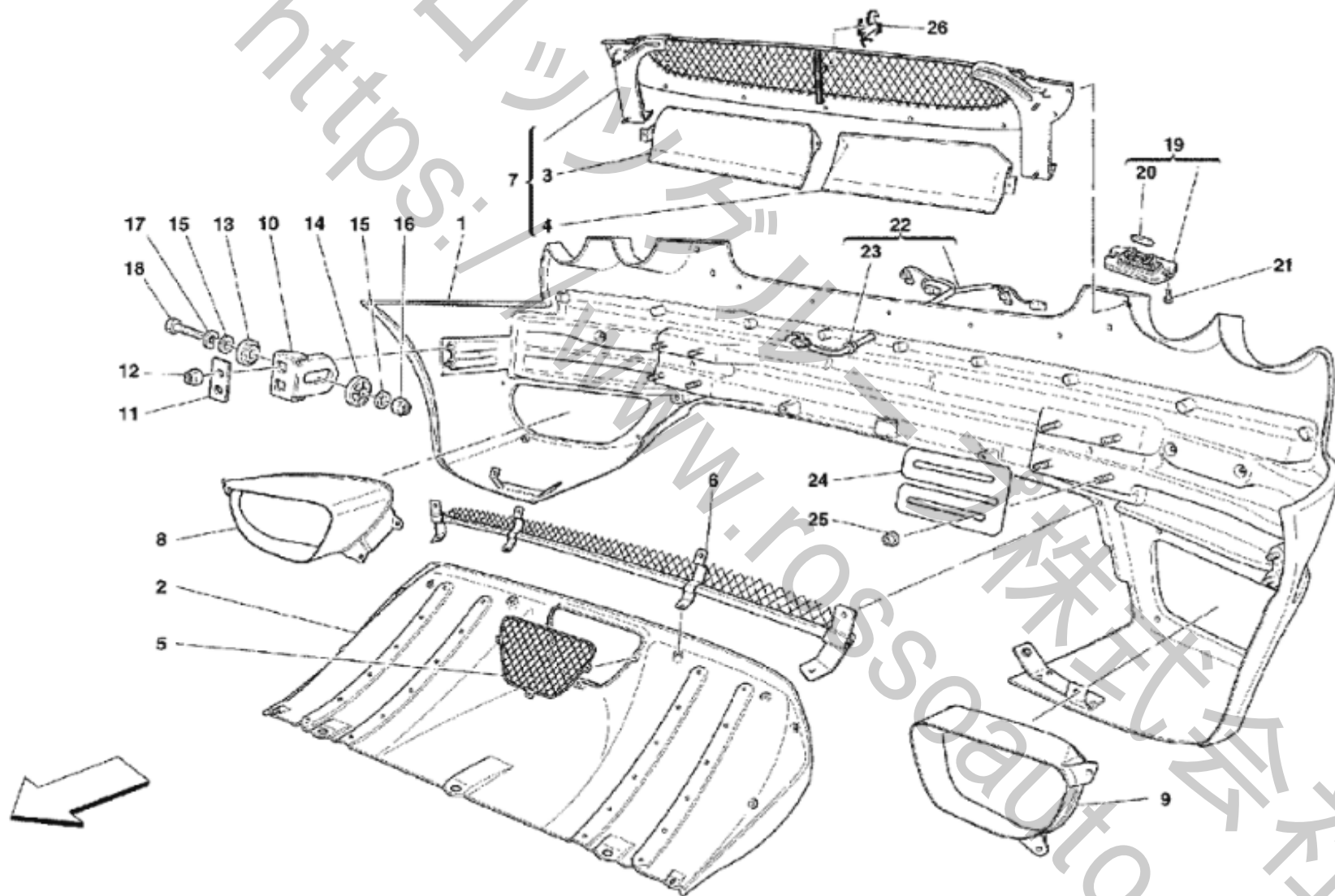
https://www.rossoauto.com

株式会社

<126 Front Bumper>

No.	Part No.	Name	Qty
1	83111110	FRONT BUMPER	1
1	83111010	FRONT BUMPER	1
1	83111310	FRONT BUMPER	1
1	83111210	FRONT BUMPER	1
1	83111110	FRONT BUMPER	1
2	65856500	RUBBER PROFILE	1
3	68148300	BUMPER LATERAL FIXING BRACKET	2
4	62128200	EXTERNAL SMALL BLOCK	2
5	62128300	INTERNAL SMALL BLOCK	2
6	11307021	SCREW	2
7	12646801	WASHER	4
8	12601474	WASHER	2
9	104114	NUT	2
10	62126600	PLATE	2
11	16104125	NUT	4
12	81034800	BUMPER R.H. GRILL	1
13	81034900	L.H. FRONT BUMPER GRILL	1
14	15783104	SCREW	10
15	67909800	R.H. AIR INLET	1
16	67909900	L.H. AIR INLET	1
17	65921200	SPACER	4
18	12646801	WASHER	4
19	104114	NUT	4
20	68087100	R.H. SIDE GRILL	1
21	68087200	L.H. SIDE GRILL	1
22	80866310	FRONT SPOILER	1
22	68614900	FRONT SPOILER	1
22	68084110	FRONT SPOILER	1
23	10902324	SCREW	4
24	12644404	WASHER	4
25	12601274	WASHER	4

<127 Rear Bumper>



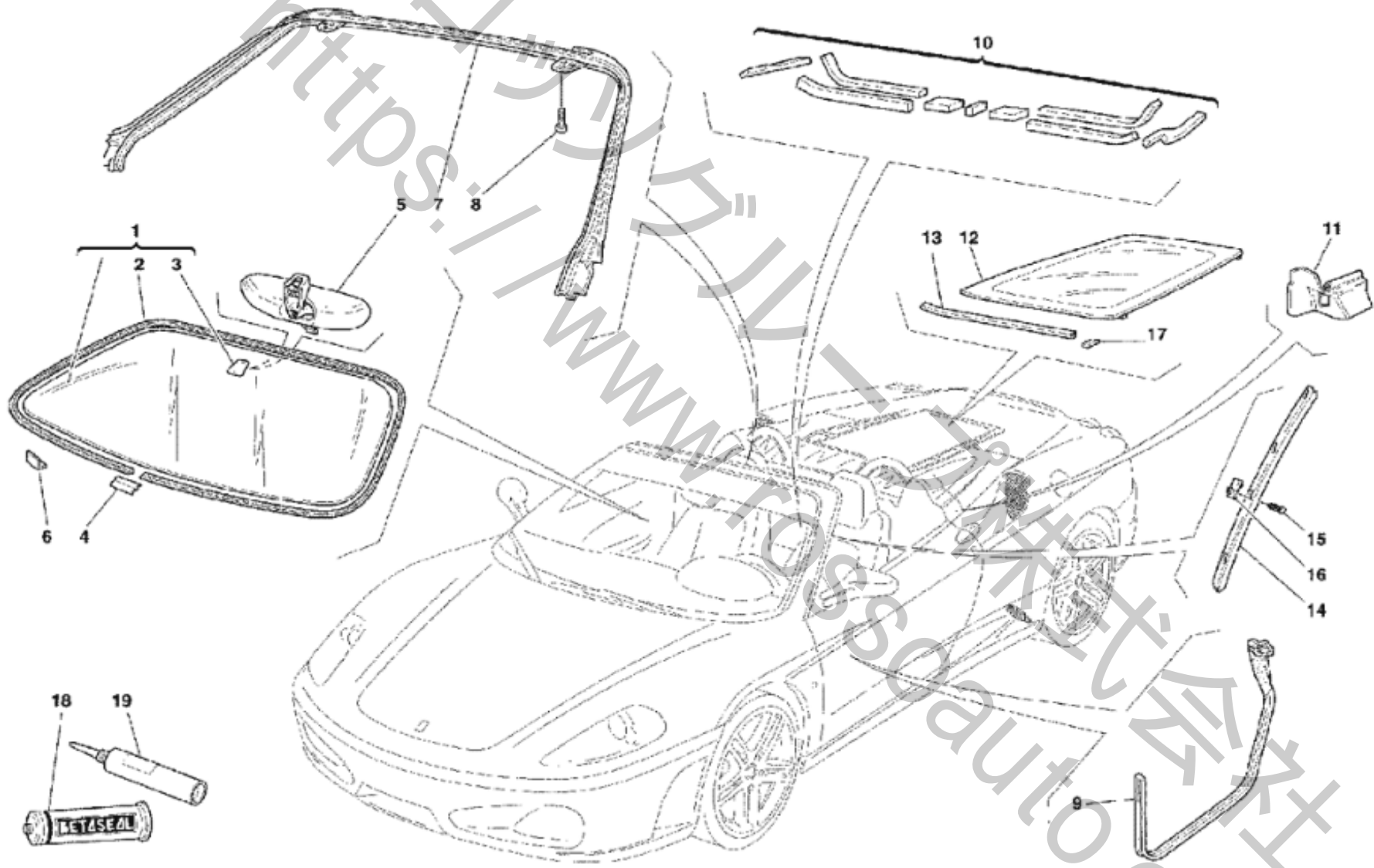
<127 Rear Bumper>

No.	Part No.	Name	Qty
0	227934	PARKING SENSOR ECU	1
1	83111410	REAR BUMPER	1
2	81509400	LOWER UPHOLSTERY FOR REAR BUMPER	1
2	67772100	LOWER UPHOLSTERY FOR REAR BUMPER	1
3	68854700	R.H. BRACKET	1
4	68854800	L.H. BRACKET	1
5	67772700	CENTER GRILLE	1
6	68099100	LOWER GRILL	1
7	68099000	UPPER GRILL	1
8	68164700	R.H. PROFILE FOR TAILS	1
9	68164800	L.H. PROFILE FOR TAILS	1
10	68148300	BUMPER LATERAL FIXING BRACKET	2
11	62126600	PLATE	2
12	104030	NUT	4
13	62128200	EXTERNAL SMALL BLOCK	2
14	62128300	INTERNAL SMALL BLOCK	2
15	12646801	WASHER	4
16	104114	NUT	2
17	12601474	RETAINING WASHER	2
18	11307021	SCREW	2
19	186180	NUMBER PLATE LIGHT	2
20	10857790	BULB	1
21	15901570	SCREW	4
22	182985	CABLES FOR NUMBER PLATE LIGHTS	1
23	10399280	CABLE GROMMET	2
24	68355700	SPACER	4
24	69047600	SPACER	4
24	69047700	SPACER	4
24	69742100	SPACER	4
25	12164710	NUT	8
26	60032109	REAR HORSE	1
27	65886300	REAR PLATE FRAME	1
27	65887600	REAR PLATE FRAME	1
27	69277100	REAR PLATE FRAME	1
28	67091000	CATADIOPTRIC	2
29	12578011	NUT	4

30	13577701	WASHER	4
31	69140500	SCREW	6
31	62797600	SCREW	6
32	14042177	NUT	2
33	12644301	WASHER	8
34	16084370	SCREW	4
35	14201980	BLOCK	2
36	14295696	RIVET	4
37	214561	PARKING SENSOR	4
38	223516	GASKET	4
39	69318100	SLEEVE	4
40	221270	BUMPER CABLE WITH PARKING SENSOR	1
41	69329100	PLUG	2
42	69449400	GASKET	2
43	10444624	SCREW	12
44	13579004	WASHER	12

<http://www.rossoauto.com> 株式会社

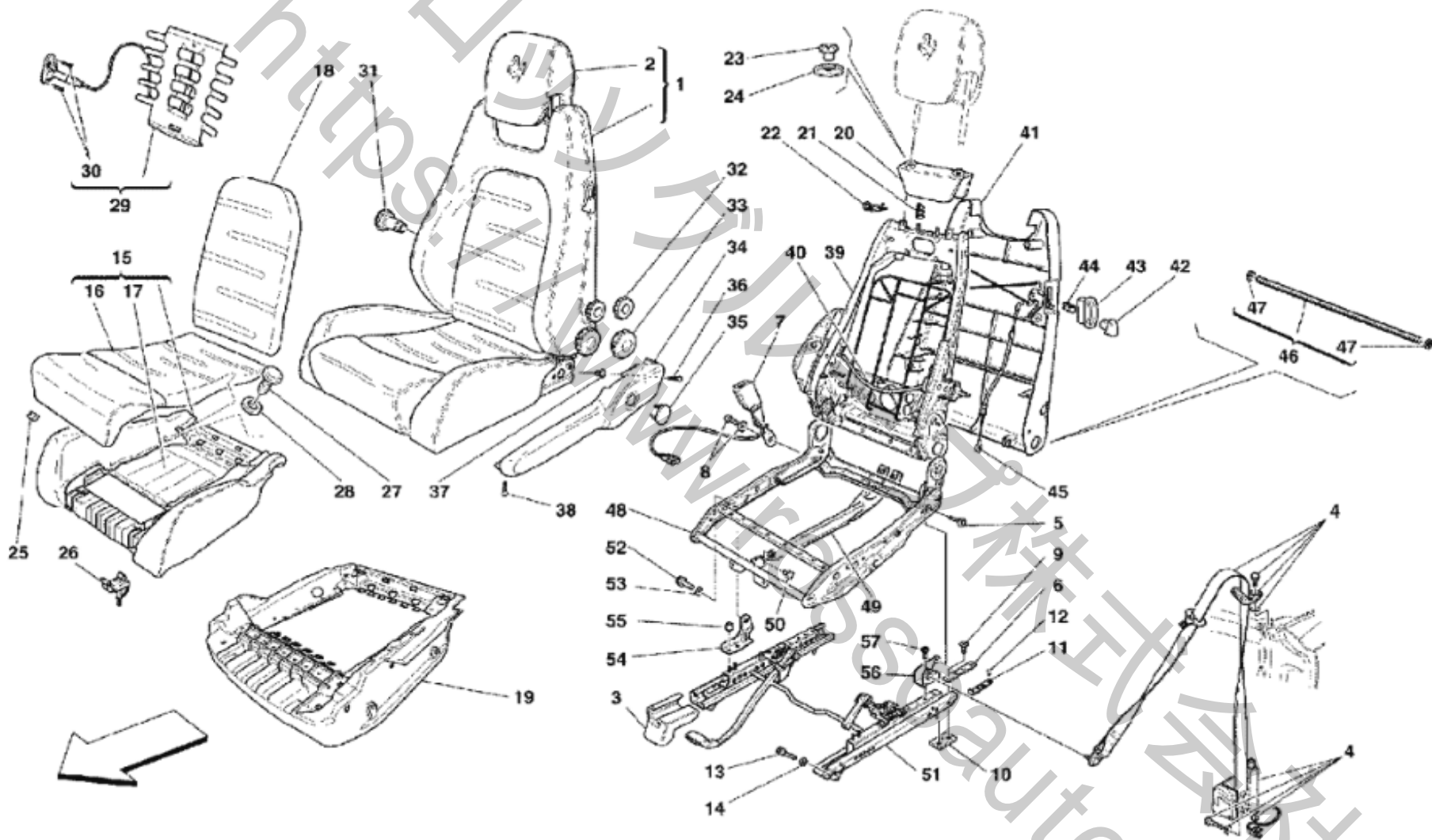
<128 Glasses and Gaskets>



<128 Glasses and Gaskets>

No.	Part No.	Name	Qty
1	65782800	COMPLETE WINDSCREEN GLASS	1
2	65792500	OUTER GASKET	1
3	65695500	BAR	1
4	65625100	JOINT COVERING	1
5	65547300	INNER REAR VIEW MIRROR	1
6	65808700	COMPLETE SPACER	6
7	65797300	WINDSCREEN GLASS GASKET	1
8	14432220	SCREW	6
9	66328300	COMPLETE L.H. GASKET FOR DOOR	1
9	66328200	COMPLETE R.H. GASKET FOR DOOR	1
10	66461100	FOAM SEALING SOFT TOP BAY	1
11	66234700	COVER L.H. GASKET	1
11	66234600	COVER R.H. GASKET	1
12	65784900	TRANSPARENT FOR REAR HOOD	1
13	65793000	UPPER GASKET	1
14	65791300	COMPLETE L.H. MOULDING	1
14	65791100	COMPLETE R.H. MOULDING	1
15	16083501	SCREW	8
16	64569500	FIXING CLIP	8
17	65714600	SPACER	4
18	63597000	WINDSHIELD ADHESIVE	1
19	66091400	SEALING	1

<129 Manual Seat - Safety Belts>



<129 Manual Seat - Safety Belts>

No.	Part No.	Name	Qty
1	690845..	COMPLETE PASSENGER SEAT MANUAL	1
1	690846..	COMPLETE PASSENGER SEAT MANUAL	1
1	690847..	COMPLETE PASSENGER SEAT MANUAL	1
1	690839..	COMPLETE PASSENGER SEAT MANUAL	1
1	690848..	COMPLETE PILOT SEAT MANUAL	1
1	690851..	COMPLETE PILOT SEAT MANUAL	1
1	690850..	COMPLETE PILOT SEAT MANUAL	1
1	690854..	COMPLETE PILOT SEAT MANUAL	1
1	691950..	SEAT BACK LINING	1
1	691949..	SEAT BACK LINING	1
1	691951..	SEAT BACK LINING	1
1	691952..	SEAT BACK LINING	1
2	693262..	COMPLETE HEAD REST	2
2	693263..	COMPLETE HEAD REST	2
3	65922100	L.H. GUIDE SHIELD	2
3	65922000	R.H. GUIDE SHIELD	2
4	68832900	COMPLETE L.H. SAFETY BELTS	1
4	68832800	COMPLETE R.H. SAFETY BELTS	1
5	66327900	SCREW	8
6	66323500	UPPER PLATE	4
7	65629100	PASSENGER SIDE BUCKLE BRANCH	1
7	65924600	PILOT SIDE BUCKLE BRANCH	1
8	65911400	SCREW	2
9	66327100	SCREW	4
10	166168	SMALL PLATE	4
11	66323600	""L"" INFERIORE	4
12	66323700	CLIP	4
13	65917500	SCREW	4
14	65917600	WASHER	4
15	691954..	COMPLETE CUSHION	2
15	691953..	COMPLETE CUSHION	2
15	691956..	COMPLETE CUSHION	2
15	691955..	COMPLETE CUSHION	4
15	691963..	L.H. LATERAL CUSHION LINING	2
15	691964..	L.H. LATERAL CUSHION LINING	2
15	691962..	L.H. LATERAL CUSHION LINING	2

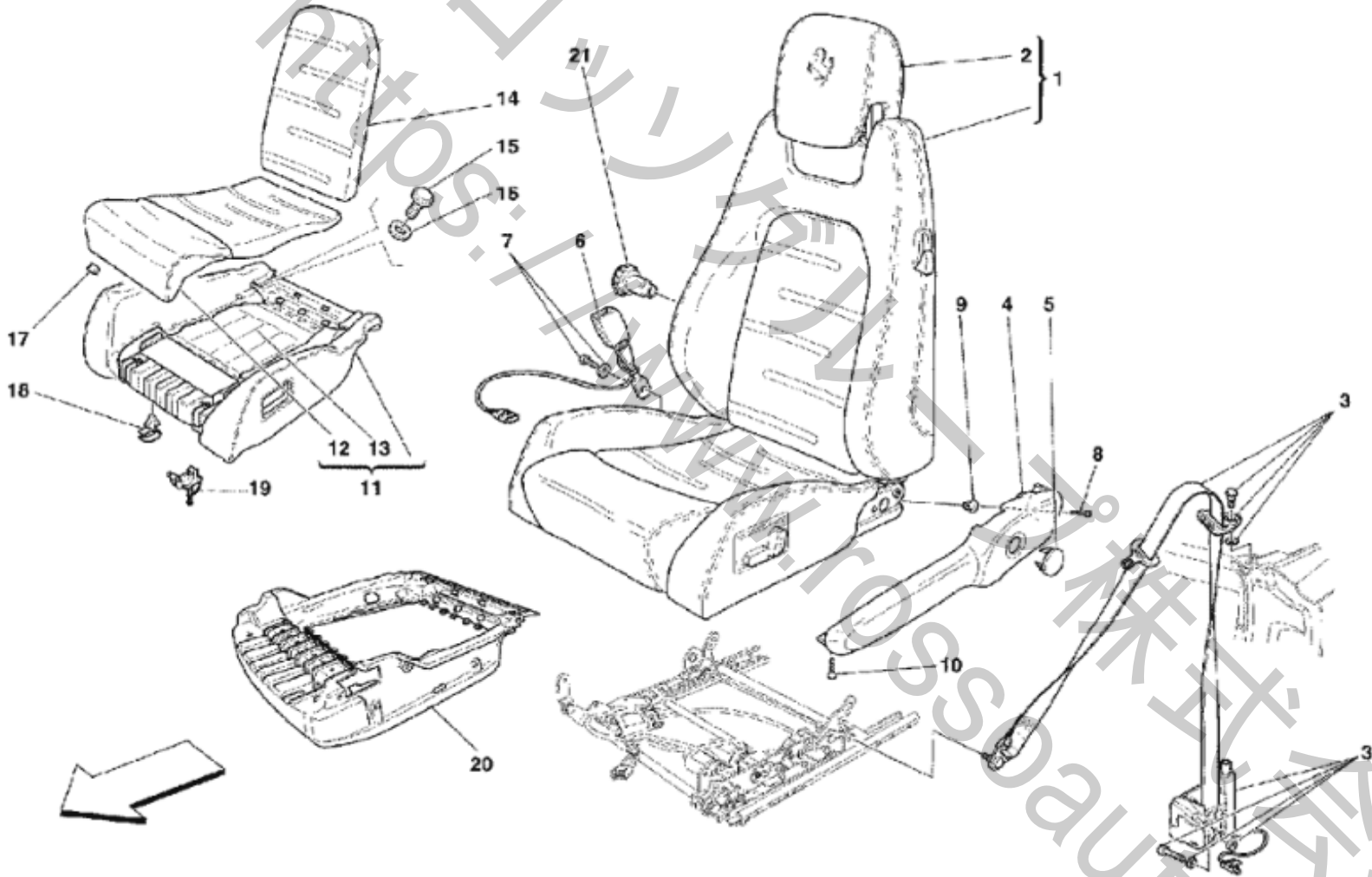
15	691961..	L.H. LATERAL CUSHION LINING	2
15	691965..	R.H. LATERAL CUSHION LINING	2
15	691966..	R.H. LATERAL CUSHION LINING	2
15	691967..	R.H. LATERAL CUSHION LINING	2
15	691968..	R.H. LATERAL CUSHION LINING	2
16	691978..	CENTRAL CUSHION	2
16	691977..	CENTRAL CUSHION	2
17	69198100	CUSHION BOTTOM MEMBRANE	2
18	691979..	CENTRAL SEAT BACK	2
18	691980..	CENTRAL SEAT BACK	2
19	69198300	CUSHION END PLATE WITH BRACKET	2
20	691982..	COMPLETE SADDLE	2
21	66324700	CLIP	4
22	66370200	L.H. CLIP	2
22	66324600	R.H. CLIP	2
23	64025400	BUSHING	4
24	64025500	WASHER	4
25	67283300	CLIP	4
26	66324000	CUSHION FIXING CLIP	4
27	67282500	CLIP	16
28	67282600	WASHER	16
29	66370300	L.H. MANUAL LOMBAR SYSTEM	1
29	66329800	R.H. MANUAL LOMBAR SYSTEM	1
30	66329900	SCREW	4
31	66325600	SIDE ADJUSTING KNOB	2
32	66325500	LUMBAR ADJUSTING KNOB	2
33	66325300	SEAT BACK ADJUSTING KNOB	2
34	663251..	L.H. OUTER COVER SEAT	1
35	663249..	COMPLETE PLUG	2
36	66370500	SCREW	2
37	66325200	NUT SCREW	2
38	66370600	SCREW	2
39	69198400	SEAT BACK STRUCTURE	2
40	66326100	BOWDEN CABLE SHEATH	2
41	66324100	SEAT BACK COVERING	2
42	66324500	SEAT RELEASE LEVER	4
43	66324400	PLATE	4
44	66324300	CLIP	4
45	66324200	SEAT RELEASE CABLE	4

46	66326300 COMPLETE UNION BAR	2
47	66328700 FIXING RING	4
48	69198900 L.H. CUSHION STRUCTURE	1
49	69198600 SAFETY TIE ROD	1
50	69198700 PIN	1
51	66323900 COMPLETE L.H. SEAT GUIDE	1
52	66327500 COMPLETE SCREW	8
53	66327600 FRONT FIXING BUSHING	4
53	66327700 REAR FIXING BUSHING	4
54	66323200 L.H. FRONT ADAPTER	1
54	66323100 R.H. FRONT ADAPTER	1
55	66372900 NUT	8
56	66323400 L.H. BRACKET	1
56	66323300 R.H. BRACKET	1
57	66327100 SCREW	8

<http://www.rossoauto.com>

 株式会社

<130 Electrical Seat - Safety Belts>



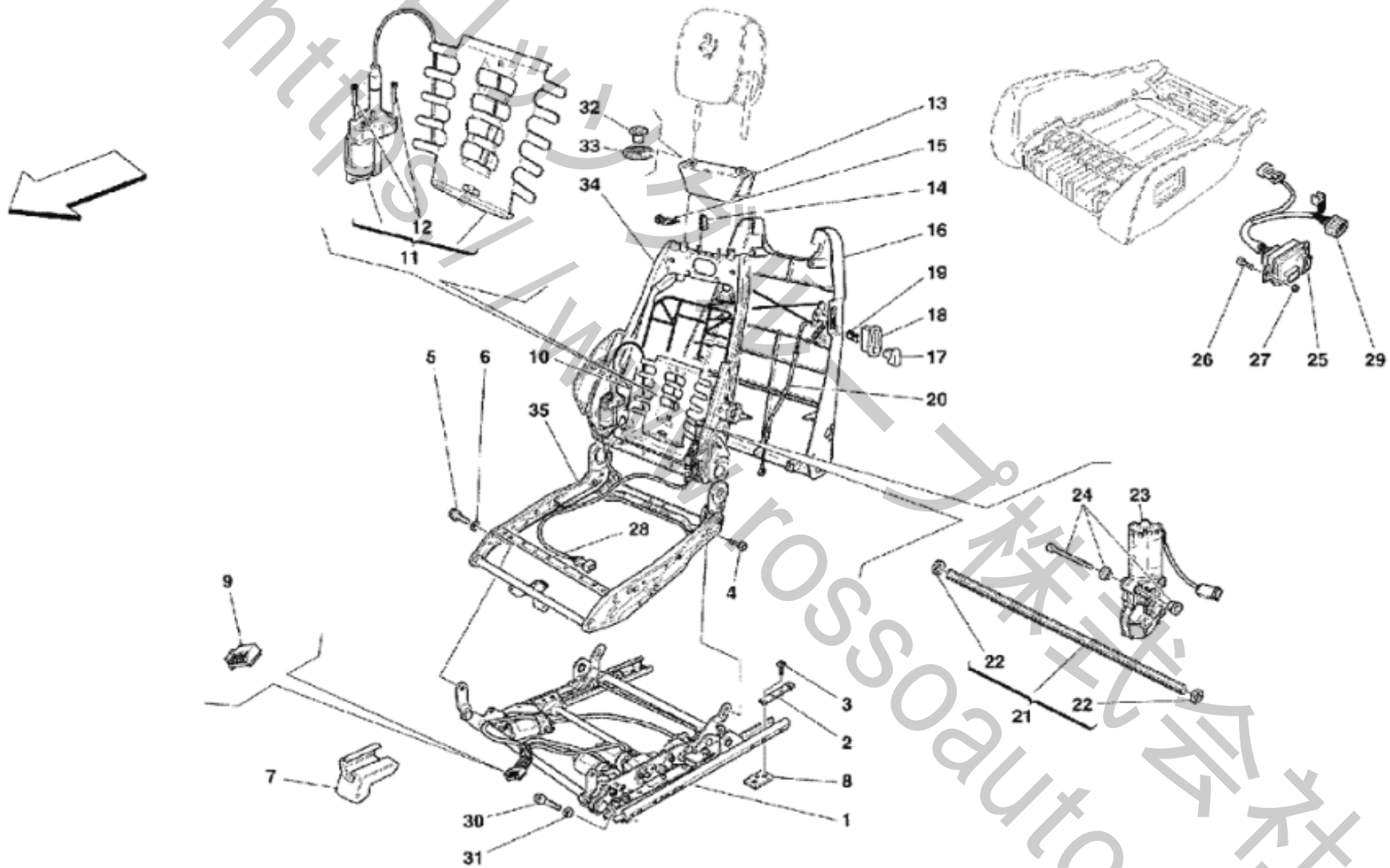
SSOauto.com

<130 Electrical Seat - Safety Belts>

No.	Part No.	Name	Qty
1	690844..	COMPLETE PASSENGER SEAT ELECTRICAL	1
1	690842..	COMPLETE PASSENGER SEAT ELECTRICAL	1
1	690841..	COMPLETE PASSENGER SEAT ELECTRICAL	1
1	690843..	COMPLETE PASSENGER SEAT ELECTRICAL	1
1	690849..	COMPLETE PILOT SEAT ELECTRICAL	1
1	690855..	COMPLETE PILOT SEAT ELECTRICAL	1
1	690852..	COMPLETE PILOT SEAT ELECTRICAL	1
1	690853	COMPLETE PILOT SEAT ELECTRICAL	1
1	691949..	SEAT BACK LINING	2
1	691951..	SEAT BACK LINING	2
1	691950..	SEAT BACK LINING	2
1	691952..	SEAT BACK LINING	2
2	693262..	COMPLETE HEAD REST	2
2	693263..	COMPLETE HEAD REST	2
3	68832900	COMPLETE L.H. SAFETY BELTS	1
3	68832800	COMPLETE R.H. SAFETY BELTS	1
4	663251..	L.H. OUTER COVER SEAT	1
4	663250..	R.H. OUTER COVER SEAT	1
5	663249..	COMPLETE PLUG	2
6	65629100	PASSENGER SIDE BUCKLE BRANCH	1
6	65629000	PILOT SIDE BUCKLE BRANCH	1
7	68636200	SCREW	2
8	66370500	SCREW	2
9	66325200	NUT SCREW	2
10	66370600	SCREW	2
11	691958..	COMPLETE CUSHION	2
11	691957..	COMPLETE CUSHION	2
11	691959..	COMPLETE CUSHION	2
11	691960..	COMPLETE CUSHION	2
11	691970..	L.H. LATERAL CUSHION LINING	2
11	691972..	L.H. LATERAL CUSHION LINING	2
11	691971..	L.H. LATERAL CUSHION LINING	2
11	691969..	L.H. LATERAL CUSHION LINING	2
11	691964..	L.H. LATERAL CUSHION LINING	2
11	691963..	L.H. LATERAL CUSHION LINING	2
11	691962..	L.H. LATERAL CUSHION LINING	2

11	691961..	L.H. LATERAL CUSHION LINING	2
11	691973..	R.H. LATERAL CUSHION LINING	2
11	691975..	R.H. LATERAL CUSHION LINING	2
11	691974..	R.H. LATERAL CUSHION LINING	2
11	691976..	R.H. LATERAL CUSHION LINING	2
11	691967..	R.H. LATERAL CUSHION LINING	2
11	691968..	R.H. LATERAL CUSHION LINING	2
11	691966..	R.H. LATERAL CUSHION LINING	2
11	691965..	R.H. LATERAL CUSHION LINING	2
12	691978..	CENTRAL CUSHION	2
12	691977..	CENTRAL CUSHION	2
13	69198100	CUSHION BOTTOM MEMBRANE	2
14	691980..	CENTRAL SEAT BACK	2
14	691979..	CENTRAL SEAT BACK	2
15	67282500	CLIP	16
16	67282600	WASHER	16
17	67283300	CLIP	4
18	67286400	CLIP	10
19	66324000	CUSHION FIXING CLIP	4
20	69198300	CUSHION END PLATE WITH BRACKET	2
21	66325600	SIDE ADJUSTING KNOB	2

<131 Electrical Seat - Guide and Movement>



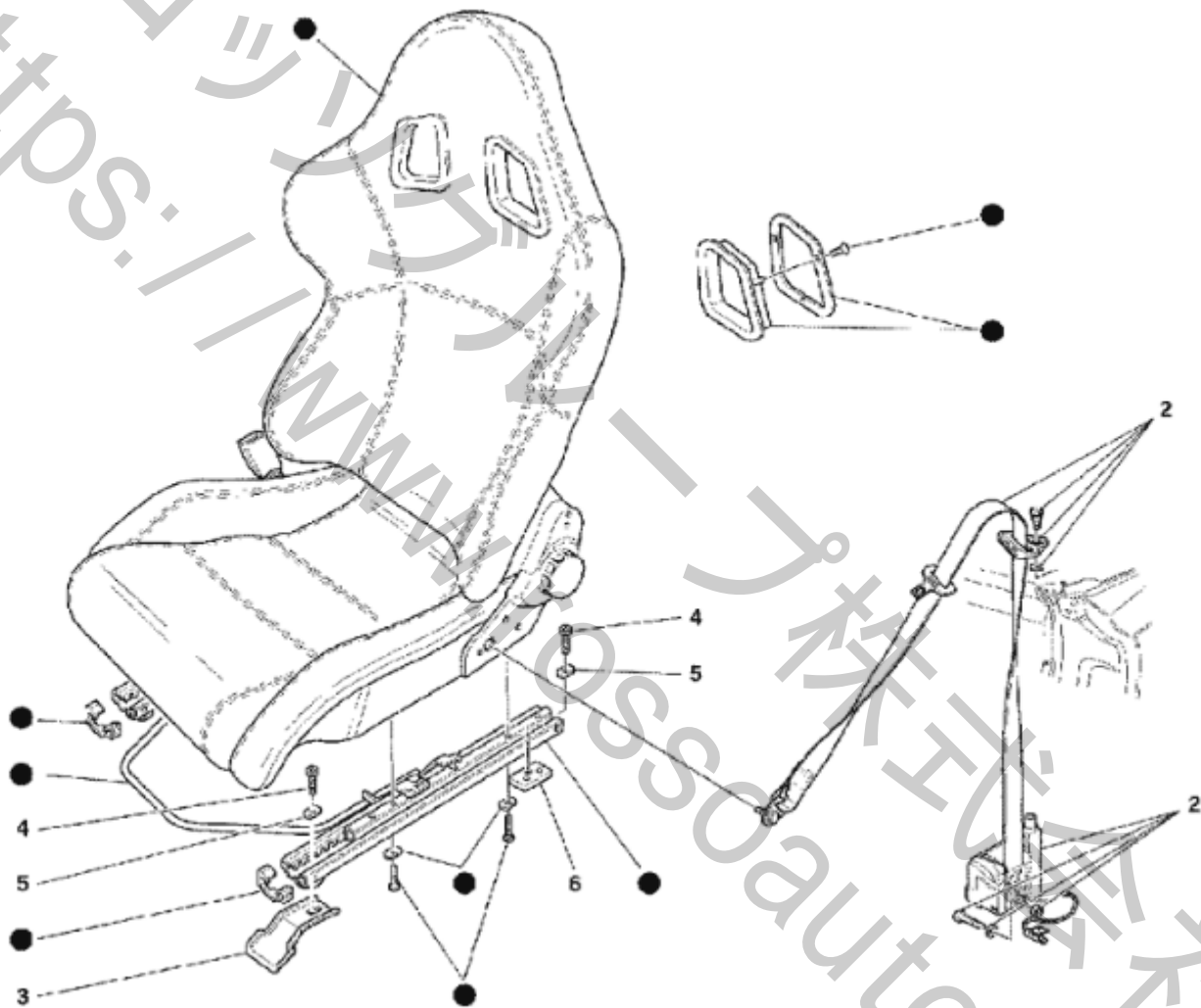
<131 Electrical Seat - Guide and Movement>

No.	Part No.	Name	Qty
1	66327300	L.H. GUIDE ASSEMBLY	1
1	66327200	R.H. GUIDE ASSEMBLY	1
2	66323500	UPPER PLATE	4
3	66327100	SCREW	4
4	66327900	SCREW	8
5	66327500	COMPLETE SCREW	8
6	66327600	FRONT FIXING BUSHING	4
6	66327700	REAR FIXING BUSHING	4
7	66090500	L.H. GUIDE SHIELD	2
7	66090400	R.H. GUIDE SHIELD	2
8	166168	SMALL PLATE	4
9	66328000	CONNECTOR	2
10	66326100	BOWDEN CABLE SHEATH	2
10	66326000	SEAT BACK SIDE BOWDEN CABLE	2
11	66374500	ELECTRICAL LOMBAR SYSTEM	2
12	66328400	SCREW	4
13	691982..	COMPLETE SADDLE	2
14	66324700	CLIP	4
15	66370200	L.H. CLIP	2
15	66324600	R.H. CLIP	2
16	66324100	SEAT BACK COVERING	2
17	66324500	SEAT RELEASE LEVER	4
18	66324400	PLATE	4
19	66324300	CLIP	4
20	66324200	SEAT RELEASE CABLE	4
21	66328800	COMPLETE CONNECTION BAR	4
22	66328700	FIXING RING	4
23	66327800	MOTOR FOR SEAT BACK	2
24	66328500	FIXING KIT	2
25	66329300	L.H. SEAT SWITCH PANEL	1
25	66329200	R.H. SEAT SWITCH PANEL	1
26	66329400	SCREW	4
27	66329500	NUT	4
28	66329100	SEAT BACK ELECTRIC WIRING	2
29	66329000	CUSHION ELECTRIC WIRING PASSENGER SIDE	1
29	66328900	CUSHION ELECTRIC WIRING PILOT SIDE	1

30	65917500 SCREW	4
31	65917600 WASHER	4
32	64025400 BUSHING	4
33	64025500 WASHER	4
34	69198500 SEAT BACK STRUCTURE	2
35	69198900 L.H. CUSHION STRUCTURE	1
35	69198800 R.H. CUSHION STRUCTURE	1

<https://www.rossoauto.com>
株式会社

<132 Racing Seat-4 Point Belts-Roll Bar>



● = 1

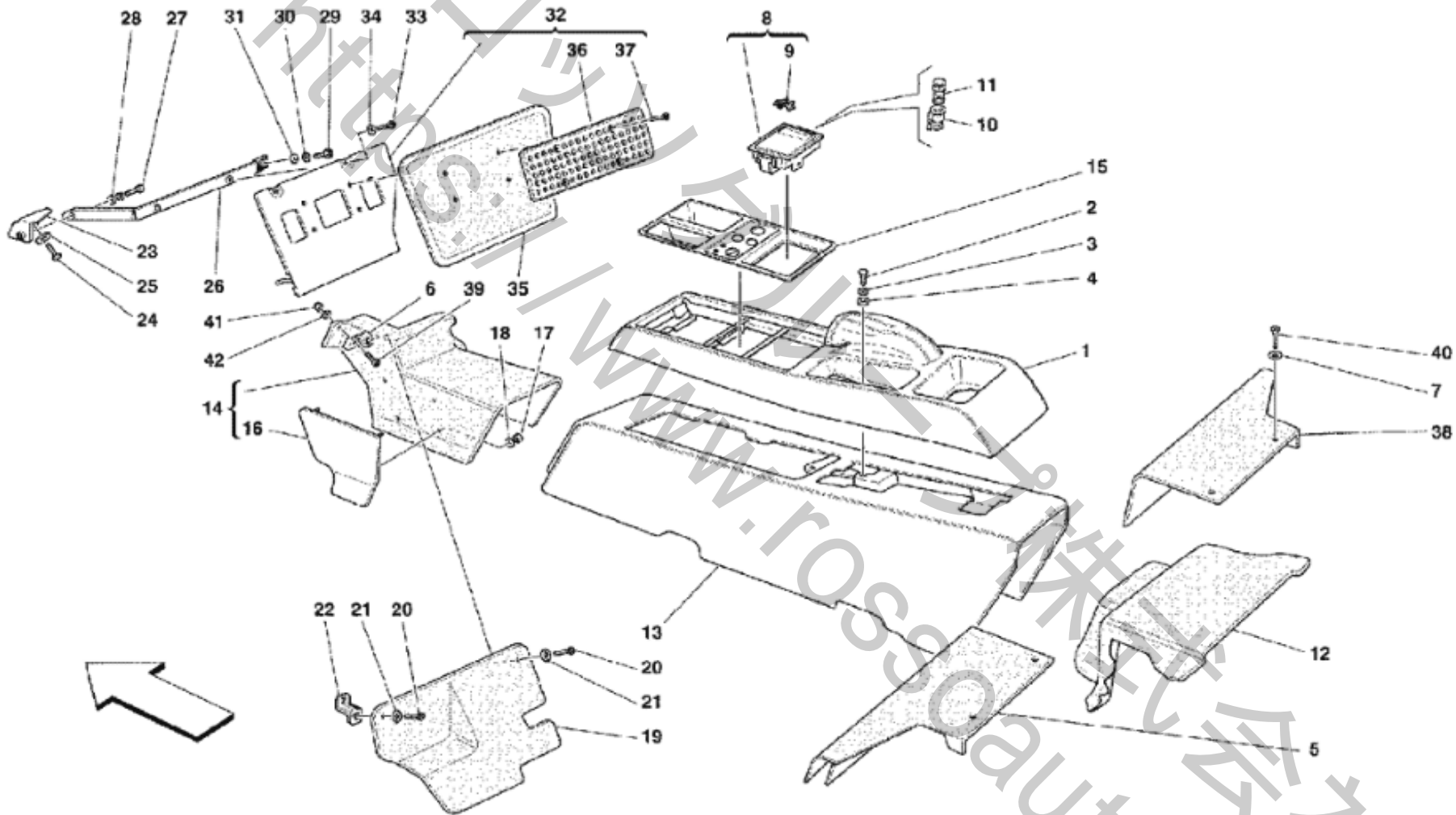
<https://www.ossodauto.com>

<132 Racing Seat-4 Point Belts-Roll Bar>

No.	Part No.	Name	Qty
1	681330..	L.H. LARGE RACING SEAT	1
1	681326..	L.H. MEDIUM RACING SEAT	1
1	681317..	R.H. LARGE RACING SEAT	1
1	681314..	R.H. MEDIUM RACING SEAT	1
2	68832900	COMPLETE L.H. SAFETY BELTS	1
2	68832800	COMPLETE R.H. SAFETY BELTS	1
3	67896200	PLATE	4
4	65917800	SCREW	8
5	65806500	ELASTIC PLATE	8
6	166168	SMALL PLATE	4

http://www.rossoauto.com 株式会社

<133 Tunnel - Framework and Accessories>



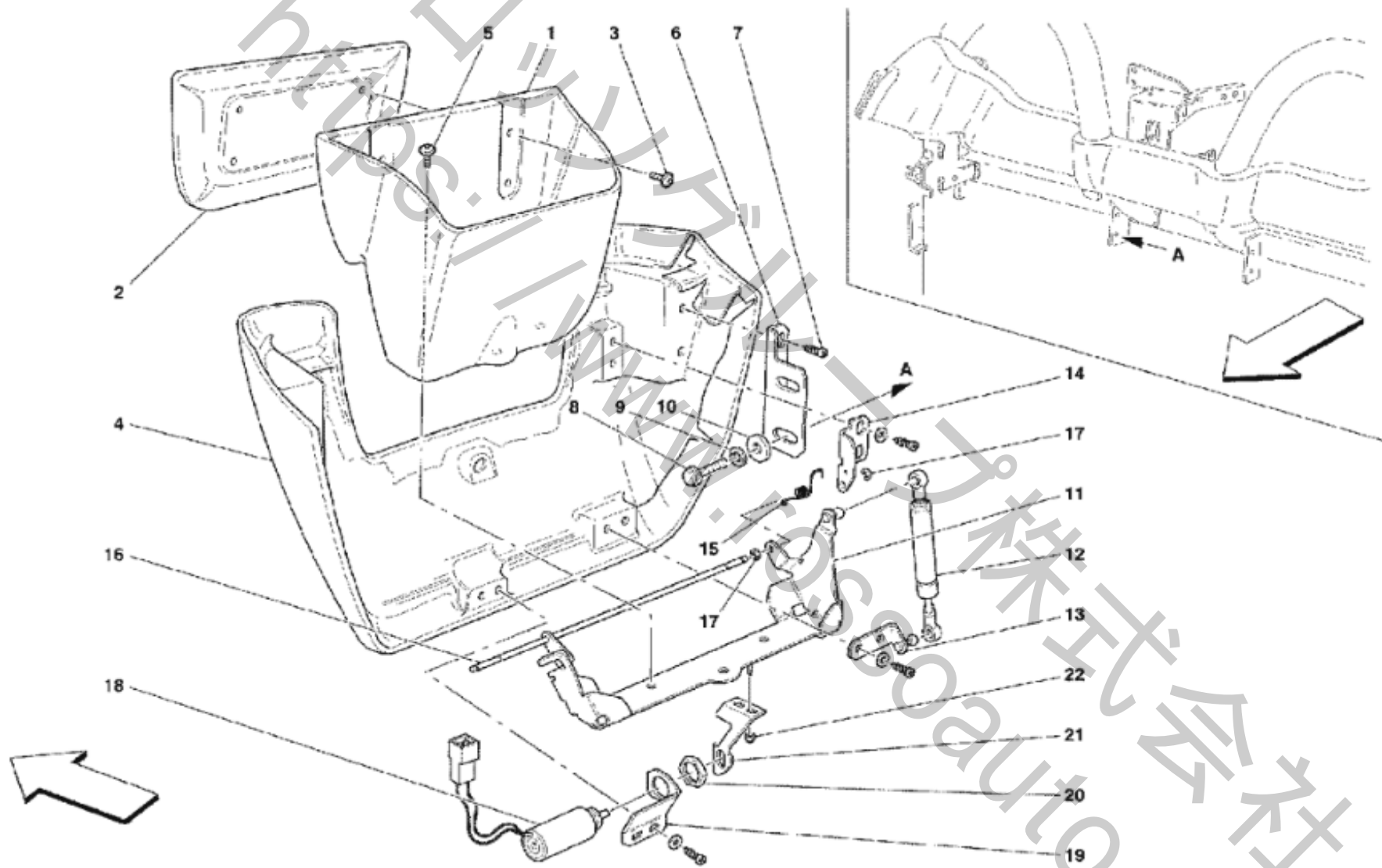
<133 Tunnel - Framework and Accessories>

No.	Part No.	Name	Qty
1	691664..	CENTRAL TUNNEL COVER	1
2	14779611	SCREW	1
3	12620374	WASHER	1
4	12637824	WASHER	1
5	685381..	L.H. COVER FOR CONTROL UNIT	1
6	65709200	BRACKET	1
7	12611407	WASHER	8
8	67505800	COMPLETE ASH TRAY	1
9	64460400	FERRARI PININFARINA MARK	1
10	226941	CIGAR LIGHTER BODY	1
11	226942	CIGARETTE LIGHTER	1
12	686036..	REAR SIDE TUNNEL COVER	1
13	683964..	LOWER CONSOLE	1
14	686783..	FRONT SIDE TUNNEL COVER	1
15	69174000	TUNNEL PLATE	1
15	69146800	TUNNEL PLATE	1
15	69146900	TUNNEL PLATE	1
15	69175000	TUNNEL PLATE	1
15	69175200	TUNNEL PLATE	1
15	69174100	TUNNEL PLATE	1
15	69175300	TUNNEL PLATE	1
15	69175100	TUNNEL PLATE	1
16	65305300	ACCELERATOR PEDAL PROTECTION	1
17	14051811	NUT	4
18	12642801	WASHER	4
19	68260790	UNDER PEDAL COVER	1
20	13311077	SCREW	2
21	12611107	WASHER	2
22	65709300	L.H. UPPER BRACKET	1
23	65523500	BRACKET	1
24	63634600	ROOF FIXING REAR BRACKET	1
25	10523424	WASHER	1
26	65522900	SUPPORT PIPE	1
27	63634600	ROOF FIXING REAR BRACKET	1
28	12640624	WASHER	1
29	63634600	ROOF FIXING REAR BRACKET	1

30	12601274	WASHER	1
31	12644424	WASHER	1
32	673673..	COMPLETE FOOT REST FOR PASSENGER	1
33	13276211	SCREW	2
34	12601274	WASHER	2
35	685133..	CARPET	1
36	66122200	COVER	1
37	65847800	SCREW	4
38	685380..	R.H. COVER FOR CONTROL UNIT	1
39	13274177	SCREW	1
40	68927900	SCREW	6
41	113647	NUT	1
42	12637878	WASHER	1

<https://www.rossoauto.com> 株式会社

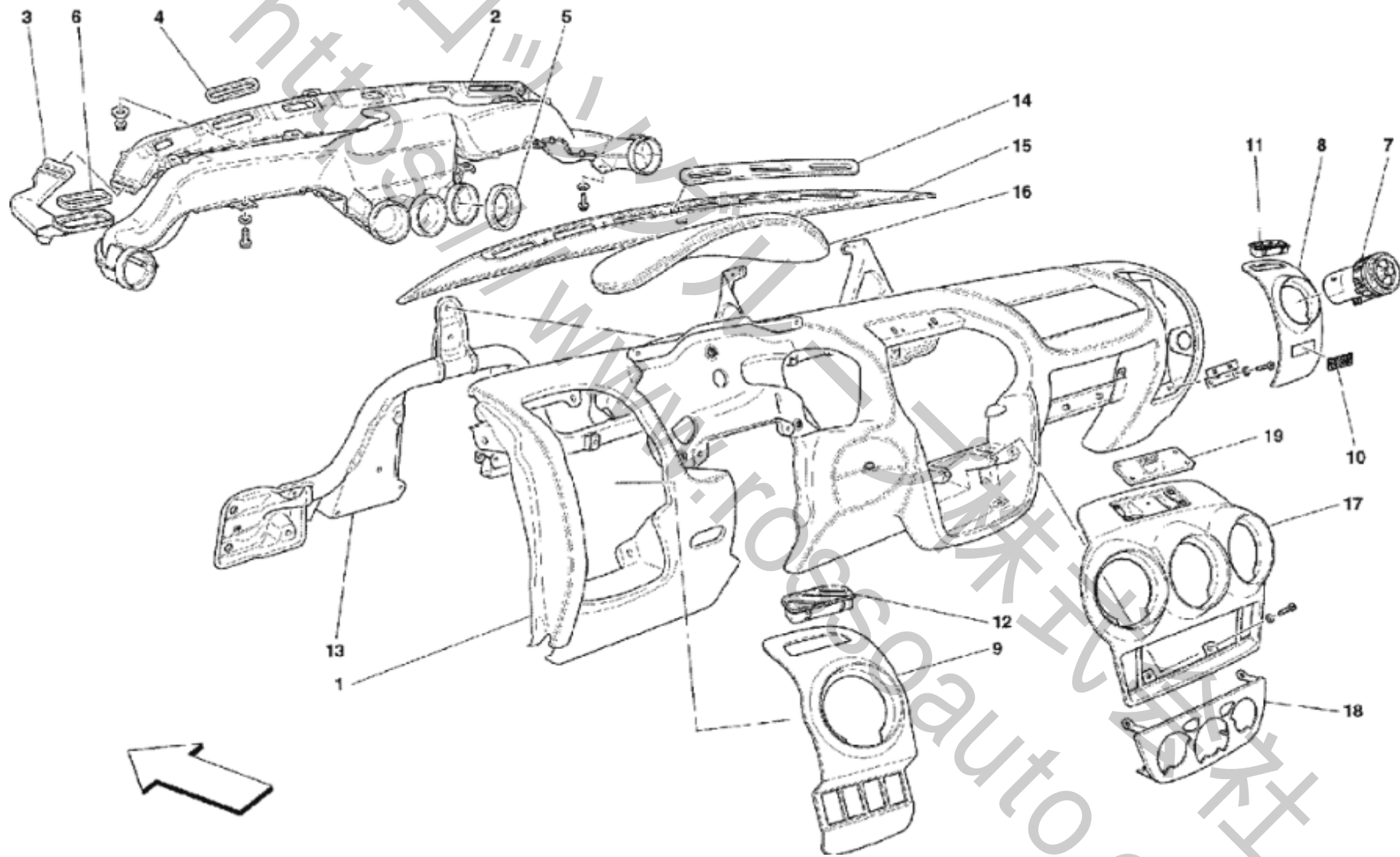
<134 Rear Glove Box>



<134 Rear Glove Box>

No.	Part No.	Name	Qty
1	65902900	DRAWER	1
2	659030..	DRAWER FRONT PART	1
2	659032..	LINING	1
3	65408900	SCREW	4
4	657977..	CONSOLE FIXED PART	1
4	657979..	LINING	1
5	65366700	SCREW	3
6	65904700	L.H. BRACKET	1
6	65796100	R.H. BRACKET	1
7	15538601	SCREW	12
8	16285127	SCREW	4
9	166467	WASHER	4
10	12624178	WASHER	4
11	65900900	BRACKET	1
12	68418700	DRAWER DECELERATOR	1
13	65908700	BRACKET	1
14	65902700	L.H. HINGE SUPPORT	1
14	65902600	R.H. HINGE SUPPORT	1
15	65905000	L.H. SPRING	1
15	65902400	R.H. SPRING	1
16	65902500	ROTATION PIN	1
17	11087674	FLEXIBLE RING	4
18	66185300	ELECTRIC ACTUATOR	1
19	66185100	BRACKET	1
20	60538800	RING NUT	1
21	66185200	MOBILE BRACKET	1
22	10721910	NUT	2

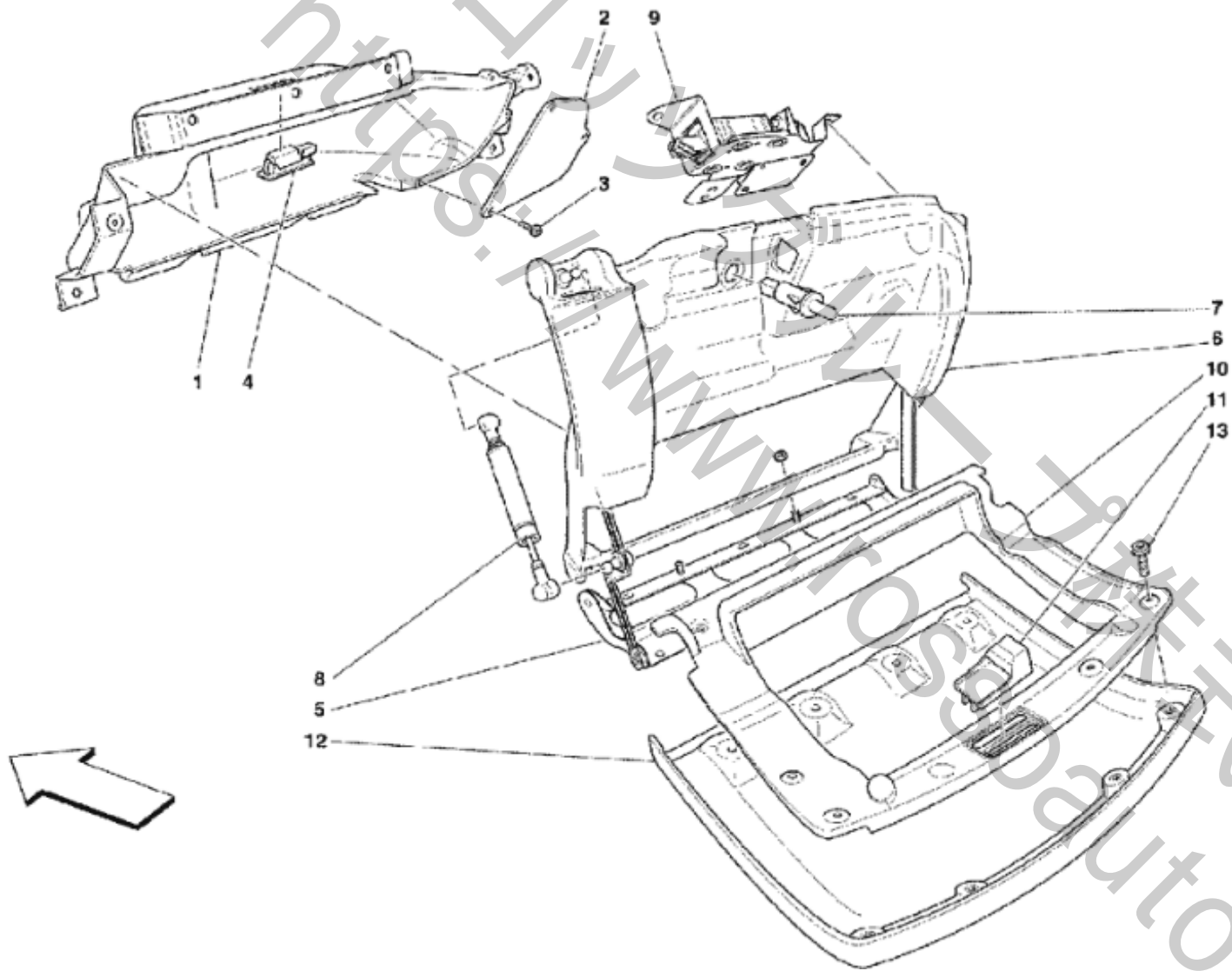
<135 Dashboard>



<135 Dashboard>

No.	Part No.	Name	Qty
1	676850..	DASHBOARD WITH INSTRUMENTS	1
2	63352900	AIR DUCTING	1
3	65132400	L.H. SIDE DUCTING	1
3	65132300	R.H. SIDE DUCTING	1
4	66050600	GASKET	6
5	63353300	AIR OPENING GASKET	5
6	65132500	GASKET	2
7	68811300	AIR DIFFUSOR OPENING	5
8	67796810	R.H. AIR OUTLET PLATE	1
8	81200800	R.H. AIR OUTLET PLATE	1
9	67916310	L.H. AIR OUTLET PLATE	1
9	81200900	L.H. AIR OUTLET PLATE	1
10	69065010	CAMPIONI DEL MONDO 2004 MARK	1
11	67919000	R.H. PLATE	1
12	67919100	L.H. PLATE	1
13	67790600	DASHBOARD FRAME ASSEMBLY	1
14	65018300	L.H. AIR OUTLET PLATE	1
14	65018200	R.H. AIR OUTLET PLATE	1
15	67791800	MOULDING FOR WINDSCREEN AIR PLATE	1
16	684217..	DASH BOARD	1
17	81201800	UPPER CENTRALPLATE	1
17	67796610	UPPER CENTRALPLATE	1
18	67797010	LOWER CENTRALPLATE	1
18	81200300	LOWER CENTRALPLATE	1
19	68872700	CAR MODEL PLATE	1
19	68719900	CAR MODEL PLATE	1
19	80728900	CUSTOMER PLATE	1

<136 Dashboard Drawer>

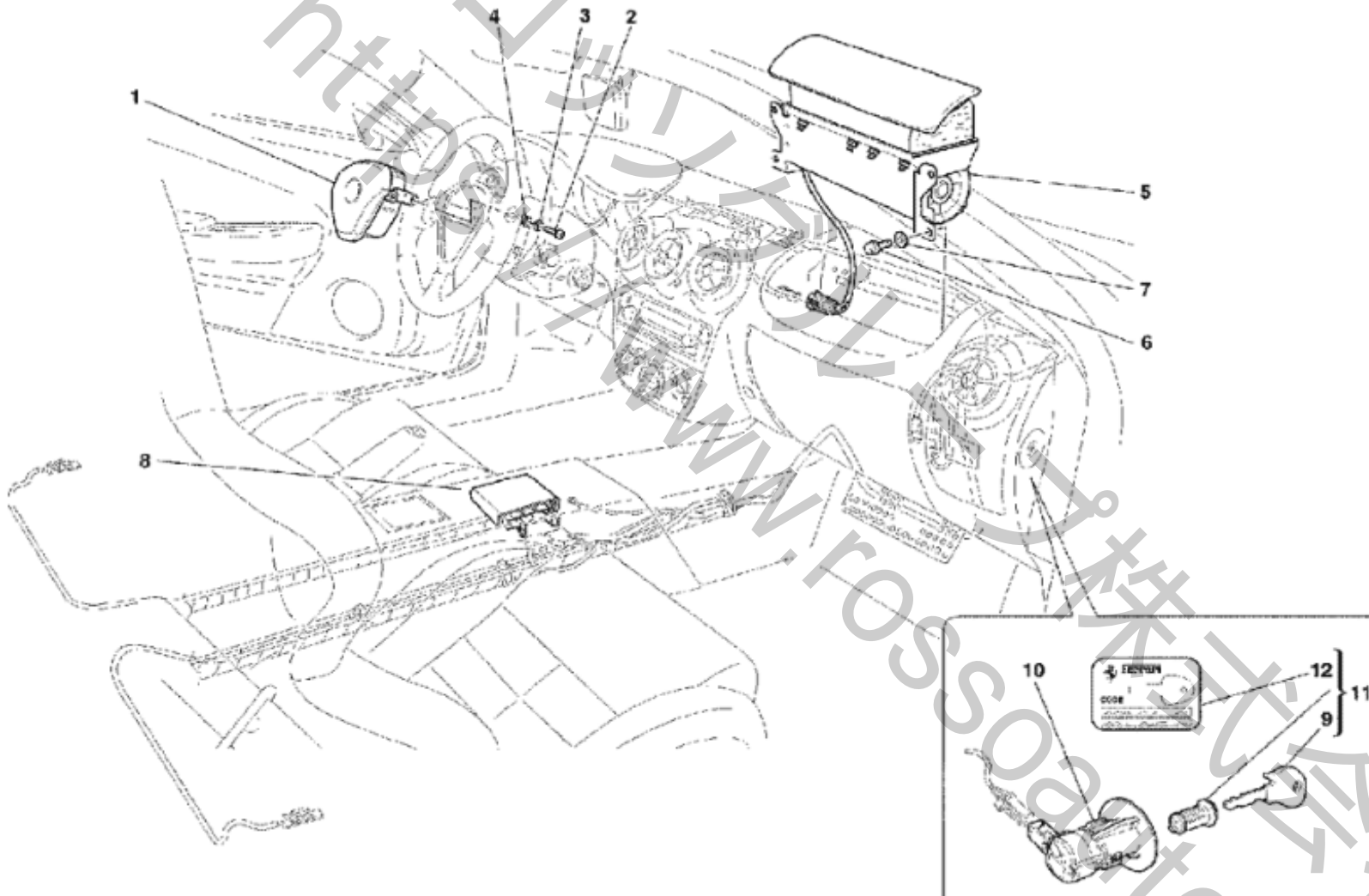


<136 Dashboard Drawer>

No.	Part No.	Name	Qty
1	69894800	DRAWER	1
2	68354600	END PLATE	1
3	16082801	SCREW	3
4	139517	DOME LAMP	1
5	67795900	COMPLETE BOX HINGE	1
6	67793400	GLOVE BOX FRAME	1
7	188266	PUSH BUTTON	1
8	68353800	SHOCK ABSORBER FOR DOOR	1
9	68663100	LOCK	1
10	67795800	DOOR FRAME	1
11	68662600	HOOK	1
12	677951..	COVERED DOOR	1
13	64460500	SCREW	8

http://www.rossoauto.com 株式会社

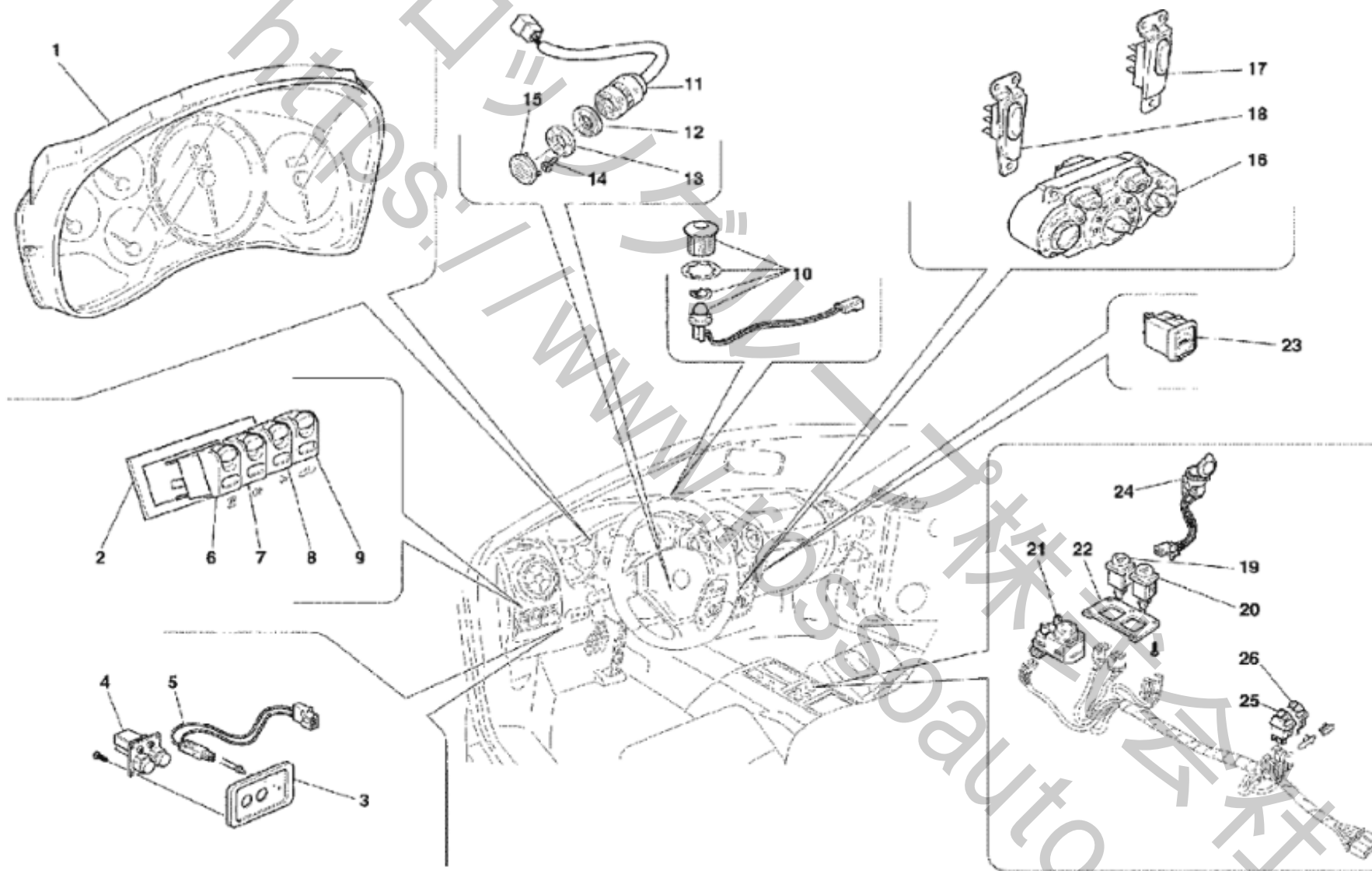
<137 Air-BagsAir-Bags>



<137 Air-BagsAir-Bags>

No.	Part No.	Name	Qty
1	72108600	DRIVER SIDE AIR-BAG	1
1	72108600	DRIVER SIDE AIR-BAG	1
1	677748..	DRIVER SIDE AIR BAG	1
2	64882800	SCREW	2
3	127494	WASHER	2
4	14499324	WASHER	2
5	72149800	PASSENGER SIDE AIR BAG IN BLACK	1
5	677980..	PASSENGER SIDE AIR BAG	1
5	72149800	PASSENGER SIDE AIR BAG IN BLACK	1
6	16132721	SCREW	4
7	12640624	WASHER	1
8	192789	AIR BAG CONTROL UNIT	1
9	215675	BLANK KEY	1
10	183234	AIR-BAG DEACTIVATION SWITCH	1
11	213632	LOCKS SET COMPLETED WITH STEERING LOCK AND KEY	1
12	194003	CODE CARD	1

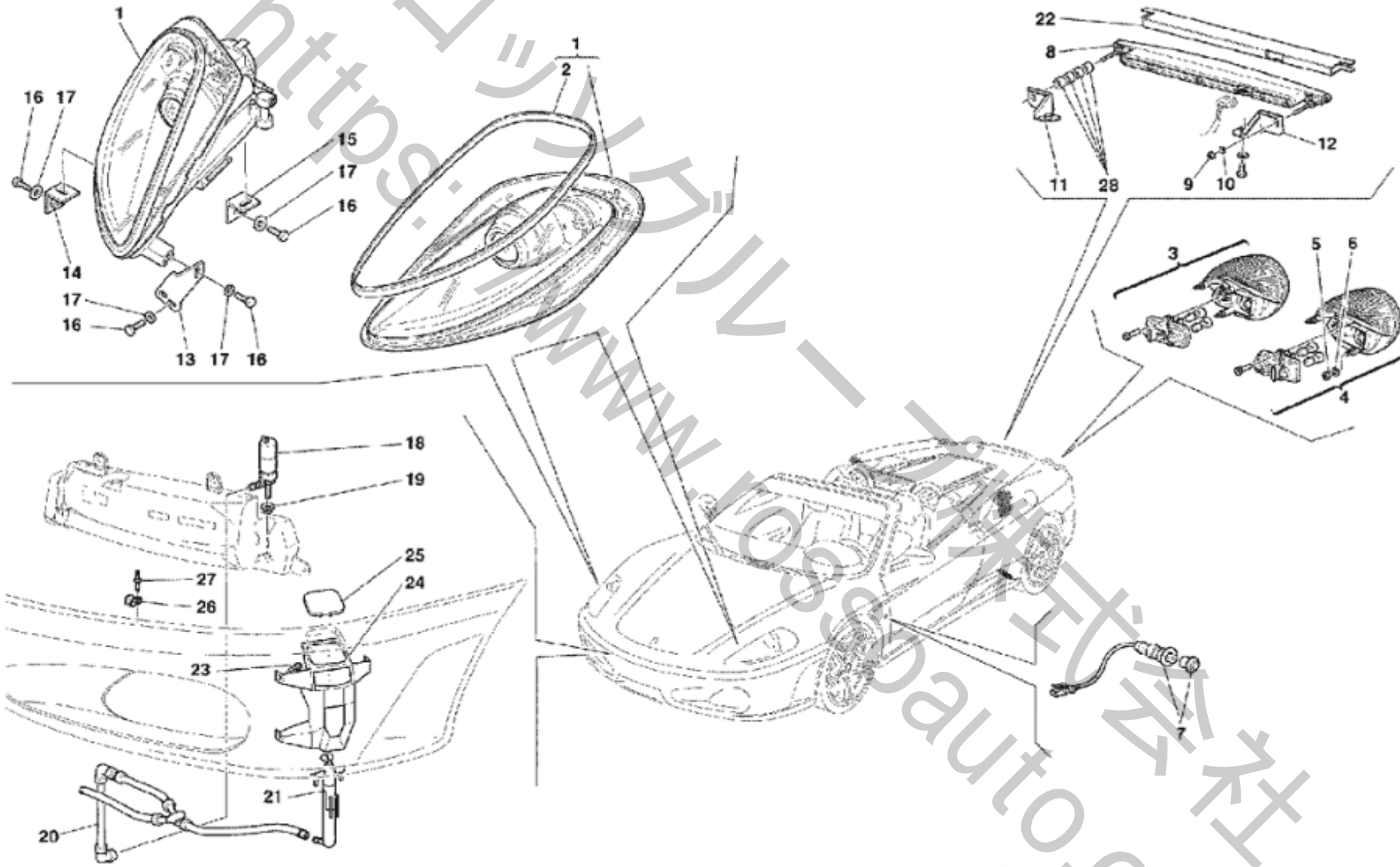
<138 Dashboard Instruments>



<138 Dashboard Instruments>

No.	Part No.	Name	Qty
1	243286	COMPLETE INSTRUMENT BOARD	1
1	192538	COMPLETE INSTRUMENT BOARD	1
1	212209	COMPLETE INSTRUMENT BOARD	1
1	212778	COMPLETE INSTRUMENT BOARD	1
1	212781	COMPLETE INSTRUMENT BOARD	1
2	68823200	BRACKET	2
3	68662700	PLATE	1
4	177902	PUSH-BUTTONS FOR INSTRUMENTS FUNCTIONS CONTROL	1
5	167064	ANTI-THEFT WARNING LED	1
6	180731	FUEL DOOR OPENING PUSH-BUTTON	1
7	180733	REAR FOG LIGHT CONTROL SWITCH	1
8	180665	OUTER MIRROR DEFROST PUSH BUTTON	1
9	180730	FRONT PUSH BUTTON	1
10	64692400	SENSOR	1
11	63934200	INNER COMPARTMENT TEMPERATURE SENSOR	1
12	63994700	WASHER CASING SENSOR	1
13	63994600	SENSOR FIXING WASHER	1
14	15915977	SCREW	2
15	63994500	SENSOR COVERING GRILL	1
16	68354900	A.C. CONTROL SET	1
17	67970400	R.H. SWITCH FOR GLASS LIFT	1
18	67970500	L.H. SWITCH FOR GLASS LIFT	1
19	229350	EMERGENCY LIGHTS SWITCH	1
20	208847	SWITCH FOR PARKING LIGHT	1
21	191046	SWITCH FOR OUTER REARVIEW MIRRORS CONTROL	1
22	65992200	SWITCH HOLDER LOWER PLATE	1
23	212735	PUSH BUTTON	1
24	197158	12 VOLT SOCKET	1
25	180709	CAPOTE PUSH BUTTON	1
26	183707	GLOVE BOX OPENING PUSH BUTTON	1

<139 Front and Rear Lights>



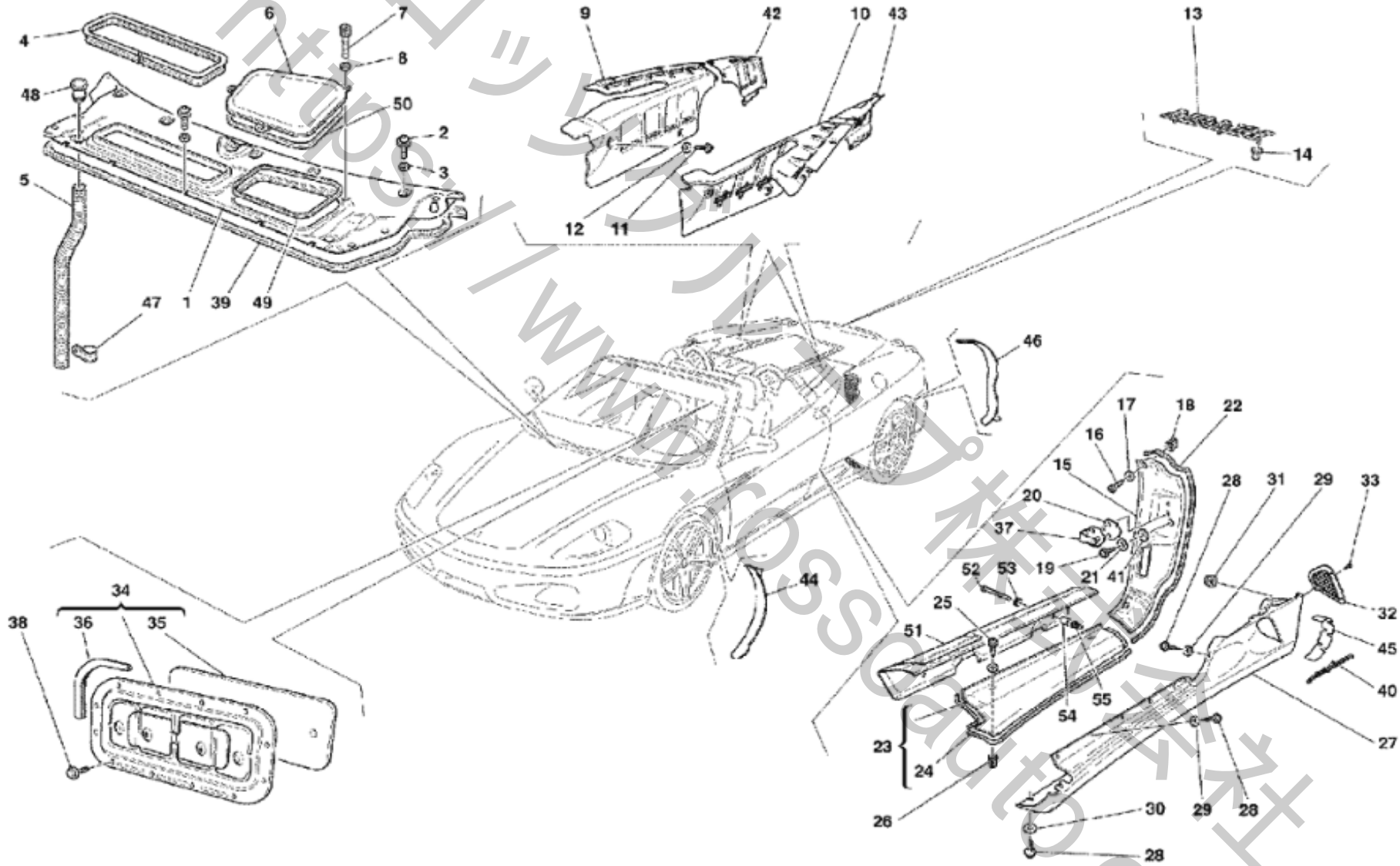
<139 Front and Rear Lights>

No.	Part No.	Name	Qty
1	207611	L.H. HEADLIGHT LOW/HIGH BEAM	1
1	214159	L.H. HEADLIGHT LOW/HIGH BEAM	1
1	198682	L.H. HEADLIGHT LOW/HIGH BEAM	1
1	214156	L.H. HEADLIGHT LOW/HIGH BEAM	1
1	214158	R.H. HEADLIGHT LOW/HIGH BEAM	1
1	198681	R.H. HEADLIGHT LOW/HIGH BEAM	1
1	207610	R.H. HEADLIGHT LOW/HIGH BEAM	1
1	207610	R.H. HEADLIGHT LOW/HIGH BEAM	1
2	215756	L.H. HEADLIGHT GASKET	2
2	215757	R.H. HEADLIGHT GASKET	2
3	185669	L.H. INNER REAR LIGHT	1
3	185668	R.H. INNER REAR LIGHT	1
4	185671	L.H. OUTER REAR LIGHT	1
4	185670	R.H. OUTER REAR LIGHT	1
5	102741	NUT	8
6	10519424	WASHER	8
7	165558	FRONT SIDE DIRECTION LIGHT	2
8	241531	ADDITIONAL STOP LIGHT	1
9	10794014	NUT	2
10	10615279	WASHER	2
11	68634700	R.H. BRACKET	1
12	68634900	L.H. BRACKET	1
13	68285200	L.H. FRONT BRACKET	1
13	68285100	R.H. FRONT BRACKET	1
14	65520000	FIXING BRACKET	2
15	68285300	REAR BRACKET	2
16	10902324	SCREW	14
17	12601274	WASHER	14
18	68740000	HEADLIGHTS WASHER PUMP	1
19	65511700	GASKET	1
20	68141200	HEADLIGHTS WASHER PIPE ASSEMBLY	1
21	68544200	COMPLETE L.H. HEADLIGHTS WASHER BODY	1
21	68544000	COMPLETE R.H. HEADLIGHTS WASHER BODY	1
22	69640200	INSULATION	1
23	15783104	SCREW	6
24	68079200	L.H. SUPPORT	1

24	68079100 R.H. SUPPORT	1
25	68189800 L.H. PLUG	1
25	68189700 R.H. PLUG	1
26	10441590 BRACKET	4
27	14296191 RIVET	4
28	64529600 SPACER	8
29	217531 FRONT SIDE-MARKER LAMP	2
30	191504 REAR SIDE-MARKER LIGHT	2
31	229502 XENO BULB	2
32	229503 XENO HEADLIGHT CONTROL UNIT	2
33	229504 REAR RUBBER COVER	2
34	230666 LOW BEAM COVER	2
35	81055800 INSULATION	1

<https://www.rossoauto.com> 株式会社

<140 Shields - Outside Finishing>

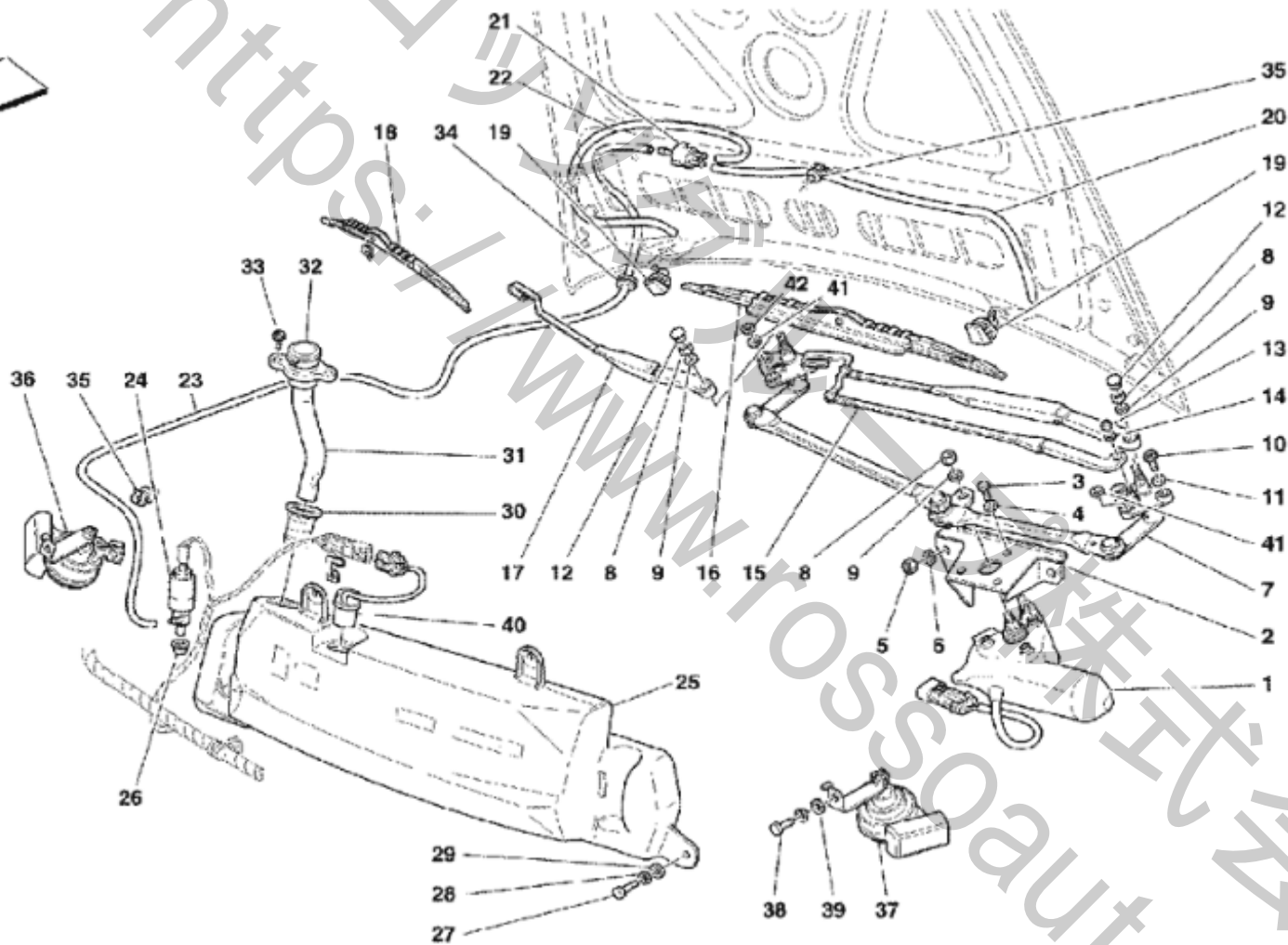


<140 Shields - Outside Finishing>

No.	Part No.	Name	Qty
1	65544100	WINDSHIELD PLATE	1
1	65875200	WINDSHIELD PLATE	1
2	65864100	SCREW	11
3	12644477	WASHER	11
4	65750900	GASKET	1
5	65992600	WATER EXHAUST TUBE	2
6	65064300	OIL TANK COMPARTMENT COVER	1
6	65875400	OIL TANK COMPARTMENT COVER	1
7	65750300	THREADED PIN	3
8	14496478	WASHER	3
9	69097100	R.H. FRONT PANEL	1
9	68743700	R.H. FRONT PANEL	1
10	68743900	L.H. FRONT PANEL	1
10	69097200	L.H. FRONT PANEL	1
11	168133	SCREW	16
12	12624178	WASHER	16
13	61025000	FERRARI MARK	1
14	60324506	SPRING FOR PINS	2
15	68647811	L.H. STRIP COVER	1
15	68647711	R.H. STRIP COVER	1
16	15689675	SCREW	4
17	12637878	WASHER	4
18	14201980	BLOCK	4
19	62940900	SCREW	2
20	67853600	SPACER	2
21	12648978	WASHER	2
22	64859000	RUBBER PROFILE	2
23	68608800	L.H. KICK PLATE	1
23	68146600	L.H. KICK PLATE	1
23	68146500	R.H. KICK PLATE	1
23	68608700	R.H. KICK PLATE	1
24	65858500	RUBBER PROFILE	2
25	15688875	SCREW	4
26	14115480	BLOCK	4
27	68021110	L.H. UNDERDOOR COVERING	1
27	68020910	R.H. UNDERDOOR COVERING	1

28	12605374 WASHER	30
29	12643778 WASHER	12
30	12640678 WASHER	18
31	13046114 NUT	10
32	68021600 L.H. LOWER AIR INTAKE GRILLE	1
32	68021500 R.H. LOWER AIR INTAKE GRILLE	1
33	15783177 SCREW	4
34	68675700 COMPLETE ENGINE INSPECTION PANEL	1
35	68359400 INSULATION	1
36	65387300 GASKET	1
37	68308800 STRIKER	2
38	16297024 SCREW	12
39	65841800 GASKET	1
40	64780500 PININFARINA ORNAMENT	2
41	63314400 WASHER	2
42	68743800 R.H. REAR PANEL	1
42	69097700 R.H. REAR PANEL	1
43	68992200 L.H. REAR PANEL	1
43	69097800 L.H. REAR PANEL	1
44	68646300 L.H. LOWER ADHESIVE TRACK CLEARER	1
44	65971600 L.H. UPPER ADHESIVE TRACK CLEARER	1
44	68646200 R.H. LOWER ADHESIVE TRACK CLEARER	1
44	65971500 R.H. UPPER ADHESIVE TRACK CLEARER	1
45	68647000 L.H. AIR INTAKE ADHESIVE TRACK CLEANER	1
45	82022100 R.H. AIR INTAKE ADHESIVE TRACK CLEARER	1
46	82022000 L.H. REAR ADHESIVE TRACK CLEARER	1
46	82021900 R.H. REAR ADHESIVE TRACK CLEARER	1
47	10442190 BRACKET WITH SHEATH	2
48	65004900 WATER EXHAUST TUBE	2
49	64879700 PLATE GASKET	1
50	64879800 GASKET	1
51	681379.. L.H. CROSSMEMBER COVERING	1
51	681378.. R.H. CROSSMEMBER COVERING	1
52	65071800 SCREW	2
53	65916400 WASHER	2
54	66093900 SPACER	2
55	66759600 THREADED INSERT	2

<141 Windshield, Glass Washer and Horns>



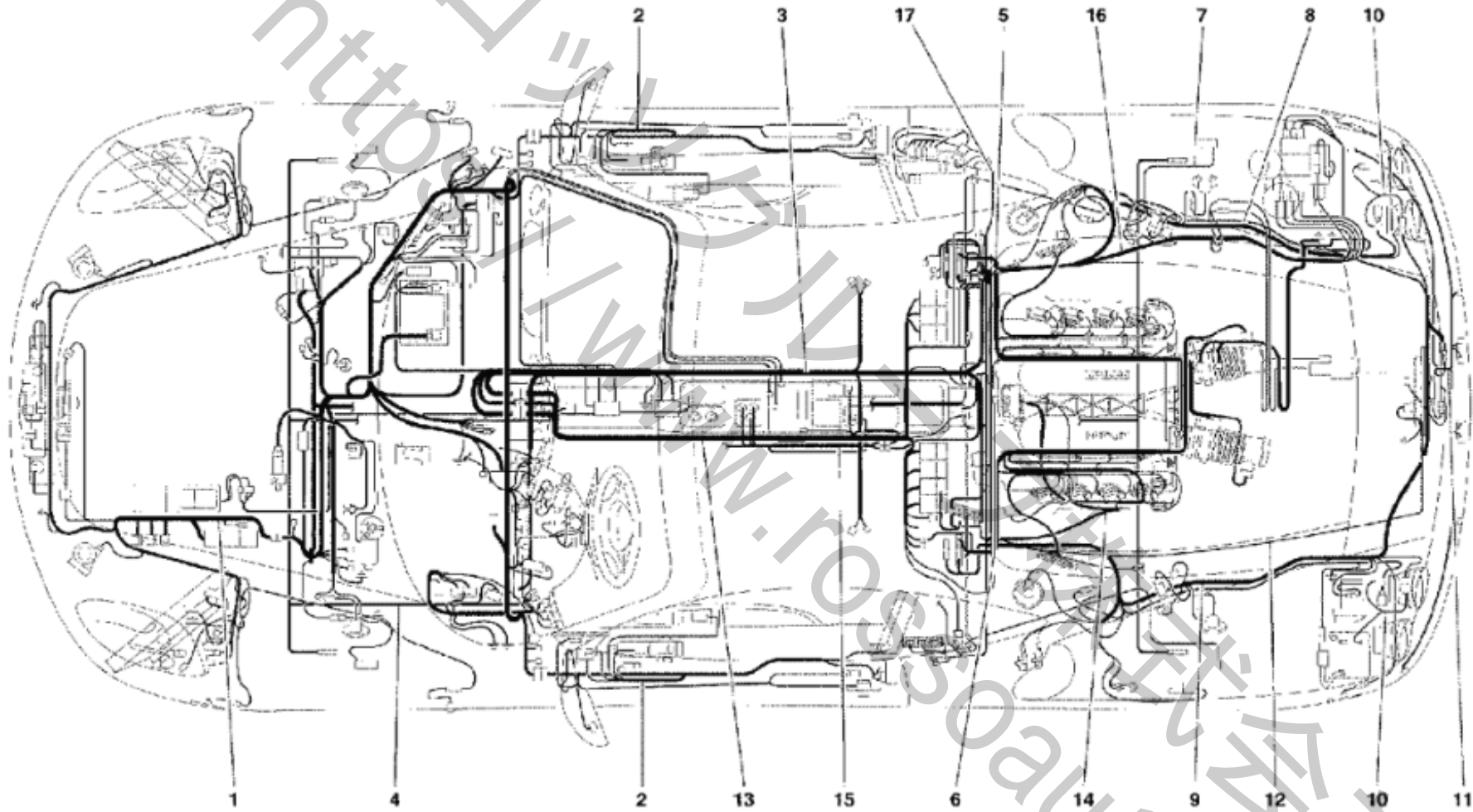
<141 Windshield, Glass Washer and Horns>

No.	Part No.	Name	Qty
1	63780200	LHD WINDSHIELD WIPER MOTOR	1
2	173416	WINDSHIELD WIPER MOTOR FASTENING BRACKET	1
3	10902224	SCREW	3
4	127494	WASHER	3
5	16104125	NUT	3
6	14496524	WASHER	3
7	65409100	COMPLETE WINDSHIELD WIPER LEVERAGE	1
7	65849300	COMPLETE WINDSHIELD WIPER LEVERAGE	1
8	16100811	NUT	3
9	12601374	WASHER	3
10	12605374	WASHER	6
11	12644477	WASHER	6
12	65190900	SMALL COVER	2
13	15896472	NUT	1
14	12601179	WASHER	1
15	65409200	DRIVER SIDE WINDSHIELD WIPER ARM	1
15	65849400	DRIVER SIDE WINDSHIELD WIPER ARM	1
16	63776100	DRIVER SIDE WIPER BRUSH	1
17	65409300	PASSENGER SIDE WINDSHIELD WIPER ARM	1
17	65849500	PASSENGER SIDE WINDSHIELD WIPER ARM	1
18	65409400	PASSENGER SIDE WIPER BRUSH	1
19	65191000	JET FOR WINDOW WASHING	2
20	65362600	RUBBER HOSE	1
21	61648100	NONRETURN VALVE	1
22	65362500	RUBBER HOSE	1
23	65362400	RUBBER HOSE FROM PUMP TO VALVE	1
24	65358700	WIPER PUMP	1
25	67895900	WINDSHIELD WIPER AND HEADLIGHT WASHER CONTAINER	1
26	65775100	GASKET	1
27	10902414	SCREW	4
28	10615473	WASHER	4
29	10523424	WASHER	4
30	65581700	GASKET	1
31	65695200	PIPE	1
32	65374000	PLUG	1
33	62940900	SCREW	2

34	10396280	GASKET	2
35	65714300	FIXING CLIP	2
36	199231	COMPLETE R.H. HORN	1
37	199232	COMPLETE L.H. HORN	1
38	63634600	ROOF FIXING REAR BRACKET	2
39	12601274	WASHER	2
40	65758700	LIQUID SENSOR	1
41	65546300	BEVEL WASHER	2
42	12646601	WASHER	1

<https://www.rossoauto.com> 株式会社

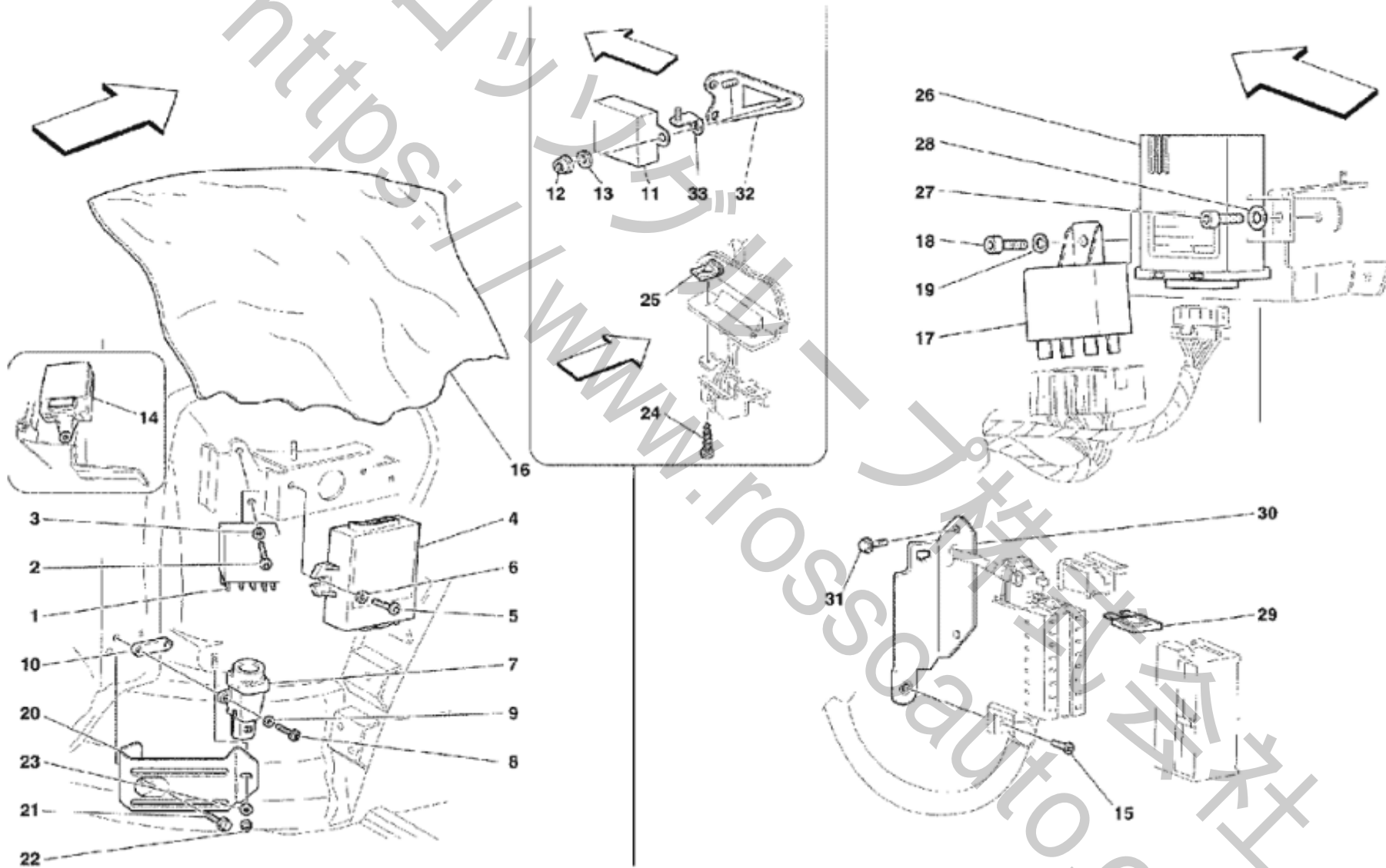
<142 Electrical System>



<142 Electrical System>

No.	Part No.	Name	Qty
0	222091	FRONT PARKING SENSOR CABLES	1
1	208340	FRONT CABLES	1
2	198209	DOOR CONNECTION CABLES	2
3	208341	DASHBOARD CONNECTION CABLES	1
4	192787	TYRES PRESSURE CONTROL CABLES	1
5	202974	R.H. SIDE INJECTION CONNECTING CABLES	1
6	204427	L.H. SIDE INJECTION CONNECTING CABLES	1
7	192784	ABS/ASR INSTALLATION CONNECTING CABLES	1
8	202973	CONNECTION CABLES FOR R.H. ENGINE COMPARTMENT	1
9	202975	CONNECTION CABLES FOR L.H. ENGINE COMPARTMENT	1
9	203015	CONNECTION CABLES FOR L.H. ENGINE COMPARTMENT	1
10	210637	REAR LIGHTS CONNECTION CABLES	2
11	182985	CABLES FOR NUMBER PLATE LIGHTS	1
12	200825	STOP LAMP CONNECTION CABLES	1
13	218509	REAR PART CONNECTING CABLES	1
14	192534	COMPLETE CONNECTION CABLES FOR MOTOR UTILITIES	1
15	192781	CABLES FOR TUNNEL CONNECTION	1
16	208342	COMPLETE GEARBOX CONTROL CABLES	1
17	66455200	CAPOTE CABLE	1

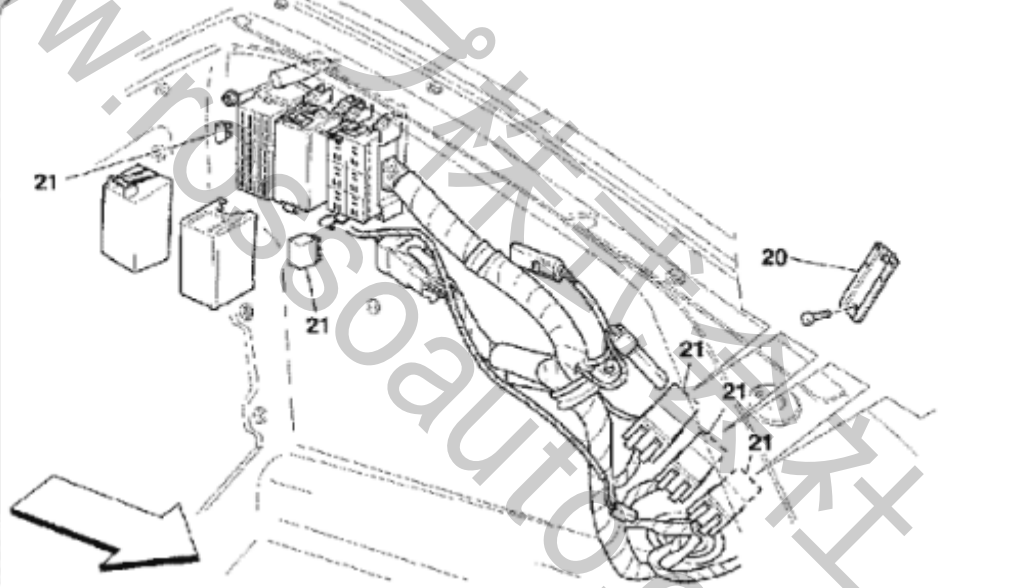
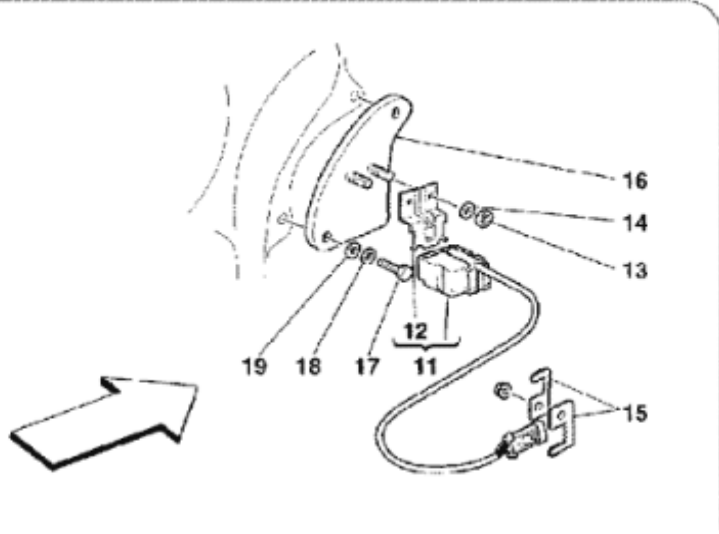
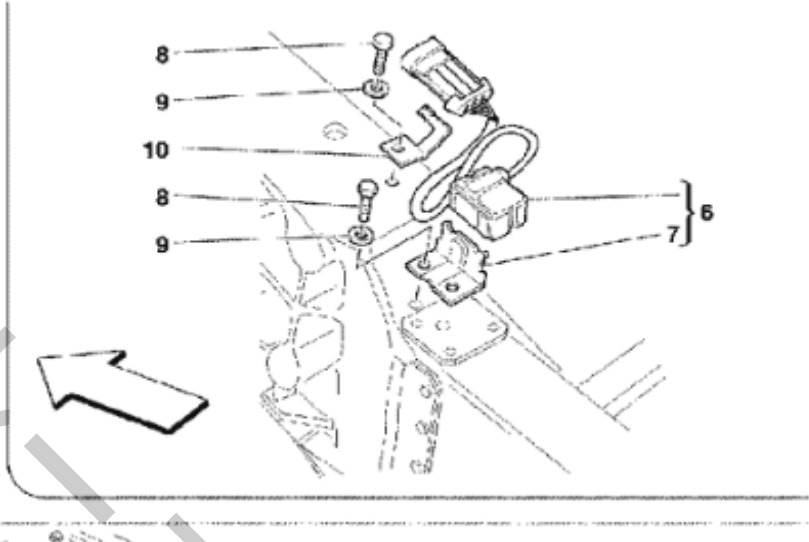
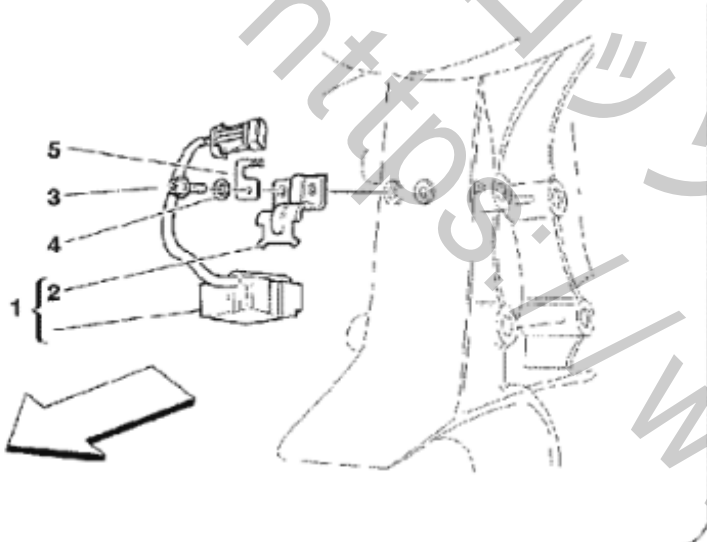
<143 Front Passengers Compartment Control Stations>



<143 Front Passengers Compartment Control Stations>

No.	Part No.	Name	Qty
1	184391	LOCK/UNLOCK DOORS MODULE	1
2	14304324	SCREW	1
3	12637824	WASHER	1
4	234698	GLASS LIFTING ELECTRONIC CONTROL STATION	1
5	14304324	SCREW	2
6	12637824	WASHER	2
7	163675	INERTIAL SWITCH	1
8	168133	SCREW	2
9	12637824	WASHER	2
10	65549800	SPACER	1
11	215533	SHOCK ABSORBERS ELECTRONIC CONTROL STATION	1
12	169180	NUT	2
13	12638178	WASHER	2
14	224420	TIMER	1
15	16285127	SCREW	1
16	66215200	WATER PROTECTION CLOTH	2
17	253060	WINDSHIELD WIPER INTERMITTER	1
18	14304324	SCREW	2
19	12637824	WASHER	2
20	65522600	SHIELD	1
21	16296924	SCREW	1
22	12574221	NUT	1
23	14496424	WASHER	1
24	15688101	SCREW	2
25	40136707	CLIP	2
26	205713	DIRECTION EMERGENCY LIGHT RELAY	1
27	14304324	SCREW	2
28	12637824	WASHER	2
29	169438	FUSE 20 A.	1
29	170093	FUSE 30 A.	2
29	170061	FUSE 50 A.	3
29	172871	MAXI FUSE 60 A.	2
30	68266300	BRACKET	1
31	10902124	SCREW	2
32	68403400	BRACKET	1
33	68613300	BRACKET	1

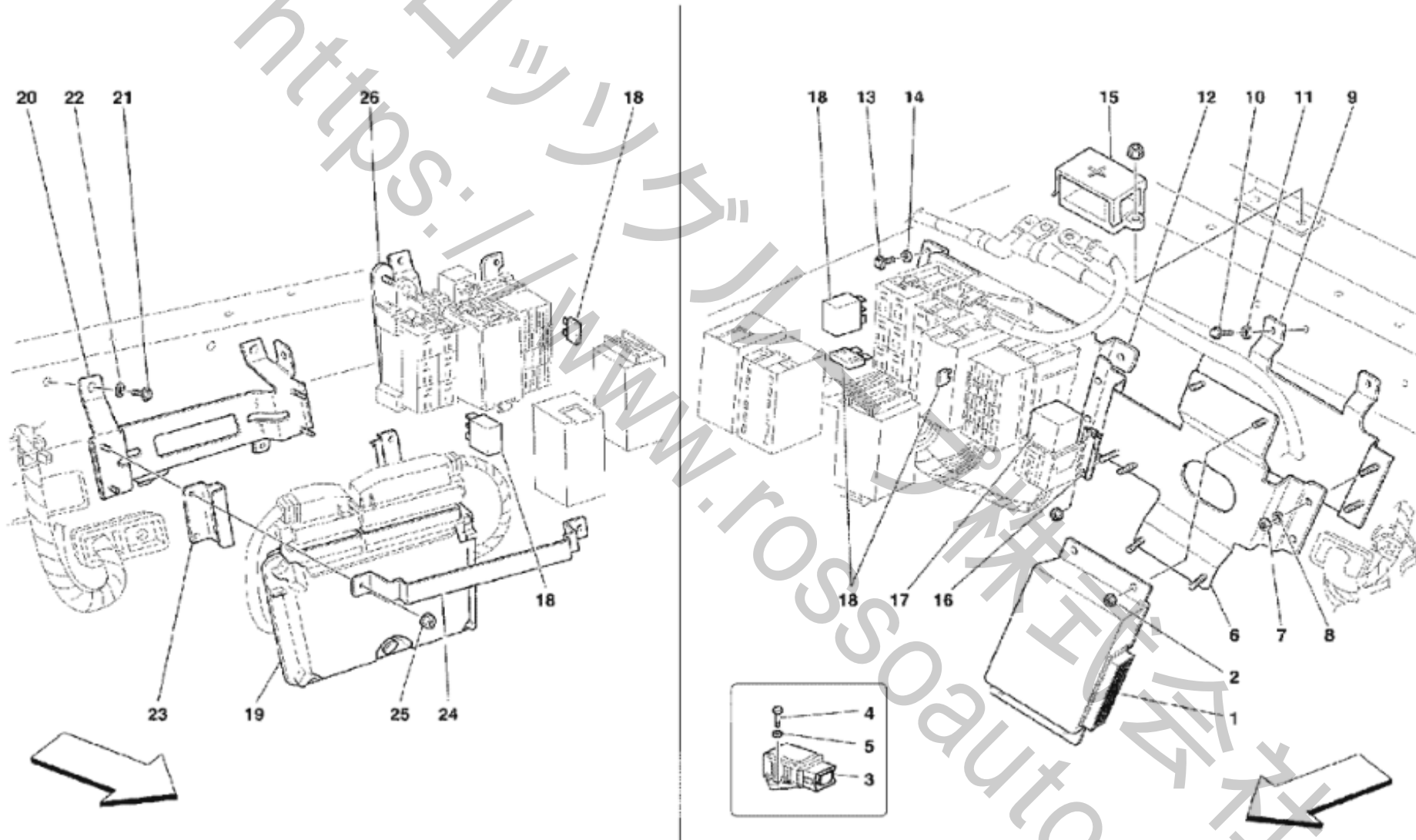
<144 Front and Motor Compartments Electrical Boards and Sensor>



<144 Front and Motor Compartments Electrical Boards and Sensor>

No.	Part No.	Name	Qty
1	232667	COMPLETE FRONT VERTICAL ACCELERATION SENSOR	2
2	178247	BRACKET	2
3	10902024	SCREW	4
4	12601274	WASHER	4
5	156198	CLIP	2
6	232672	REAR VERTICAL ACCELERATION SENSOR	1
6	232672	REAR VERTICAL ACCELERATION SENSOR	1
7	178251	BRACKET	1
8	10902024	SCREW	3
9	12601274	WASHER	3
10	162606	CLIP	2
11	232676	FRONT WHEEL ACCELERATION SENSOR	2
12	178247	BRACKET	2
13	169180	NUT	4
14	12637824	WASHER	4
15	156198	CLIP	4
16	194973	L.H. BRACKET	1
16	194974	R.H. BRACKET	1
17	16043124	SCREW	2
17	15970324	SCREW	2
18	127496	WASHER	4
19	14496524	WASHER	4
20	155184	BRACKET	1
21	194909	F1 RELAY	2
21	172878	MINI FUSE 15 A.	7
21	172880	FUSE 25 A.	1
21	172881	FUSE 30 A.	2
21	172875	MINI FUSE 5 A.	4
21	172876	FUSE 7,5 A.	3
21	183275	HEADLIGHTS WASHER TIMER	1
21	161590	MICRO-RELAY 20 A.	7
21	172882	MICRO RELAY 30 A.	4

<145 Rear Passengers Compartment Control Stations>



<https://www.rossoauto.com>

<145 Rear Passengers Compartment Control Stations>

No.	Part No.	Name	Qty
1	199174	DIFFERENTIAL CONTROL STATION	1
2	113647	NUT	4
3	188172	VAW SENSOR	1
4	10902324	SCREW	2
5	12601274	WASHER	2
6	67505400	L.H. UPPER BRACKET	1
7	102741	NUT	4
8	12620474	WASHER	4
9	67420900	L.H. LOWER BRACKET	1
10	16296924	SCREW	3
11	12620474	WASHER	3
12	67420800	L.H. SIDE BRACKET FOR CONTROL UNIT FIXING	1
13	16296924	SCREW	6
14	12620474	WASHER	6
15	170114	COMPLETE TERMINAL BOX	1
16	155184	BRACKET	1
17	194909	F1 RELAY	1
18	172877	MINI FUSE 10 A.	11
18	172878	MINI FUSE 15 A.	16
18	172879	MINI FUSE 20 A.	2
18	170093	FUSE 30 A.	2
18	172881	FUSE 30 A.	7
18	172875	MINI FUSE 5 A.	4
18	170061	FUSE 50 A.	1
18	172871	MAXI FUSE 60 A.	2
18	172876	FUSE 7,5 A.	5
18	161590	MICRO-RELAY 20 A.	11
18	227285	MICRO-RELAY 20/10 A	2
18	172882	MICRO RELAY 30 A.	4
18	183662	RELAY FOR IMMOBILIZER/DIAGNOSIS	1
19	196228	F1 GEAR BOX ELECTRONIC CONTROL STATION	1
20	67421000	R.H. LOWER BRACKET	1
21	16296924	SCREW	4
22	12620474	WASHER	4
23	67420500	UPPER BRACKET	2
24	68277800	CONTROL UNIT FIXING BRACKET	1

25 102741 NUT

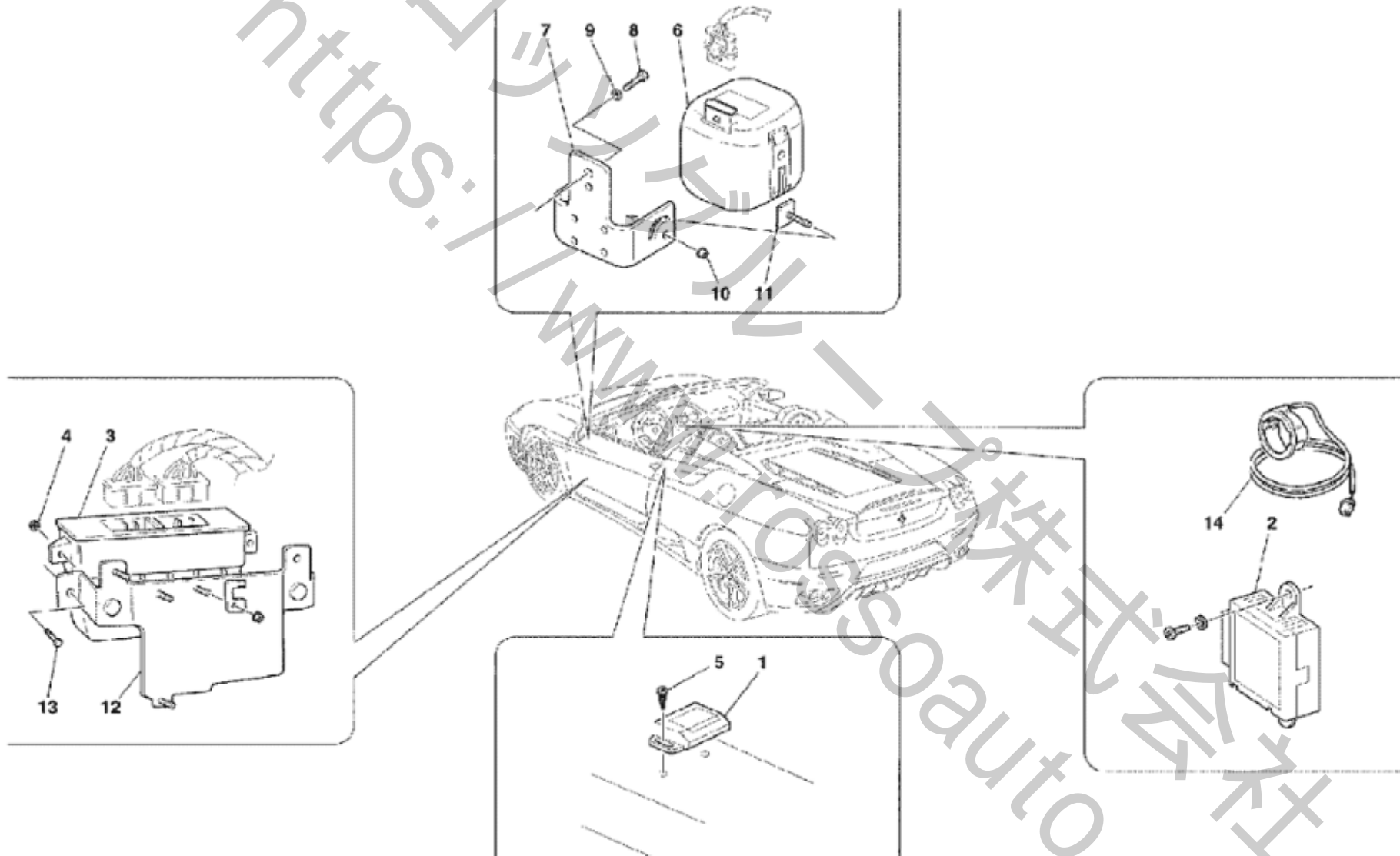
4

26 67421100 R.H. BRACKET

1

ロッシオー
<https://www.rossoauto.com> 株式会社

<146 Anti Theft Electrical Boards and Devices>



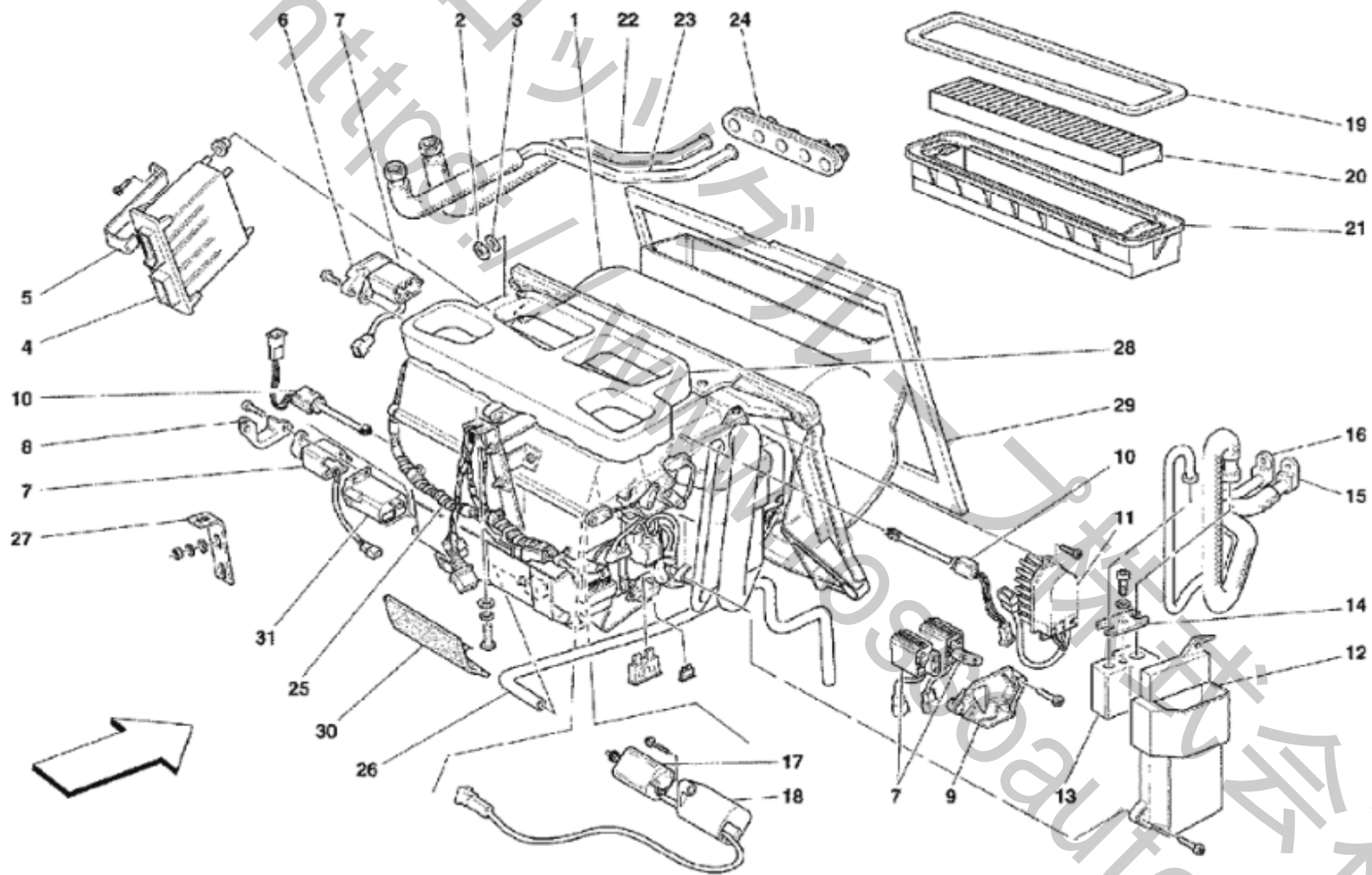
<https://www.sosauto.com>

<146 Anti Theft Electrical Boards and Devices>

No.	Part No.	Name	Qty
1	186594	ANTILIFTING SENSOR	1
2	60673131	IMMOBILIZER CONTROL UNIT	1
3	-	ANTI THEFT ELECTRICAL BOARDS	1
4	12574011	NUT	2
5	10444624	SCREW	2
6	243877	SIREN	1
7	196386	BRACKET	1
8	16051921	SCREW	2
9	10519624	WASHER	2
10	12574221	NUT	2
11	179810	SCREW	2
12	67912000	BRACKET	1
13	16286024	SCREW	2
14	60692064	IMMOBILIZER ANTENNA	1

http://www.rossoauto.com 株式会社

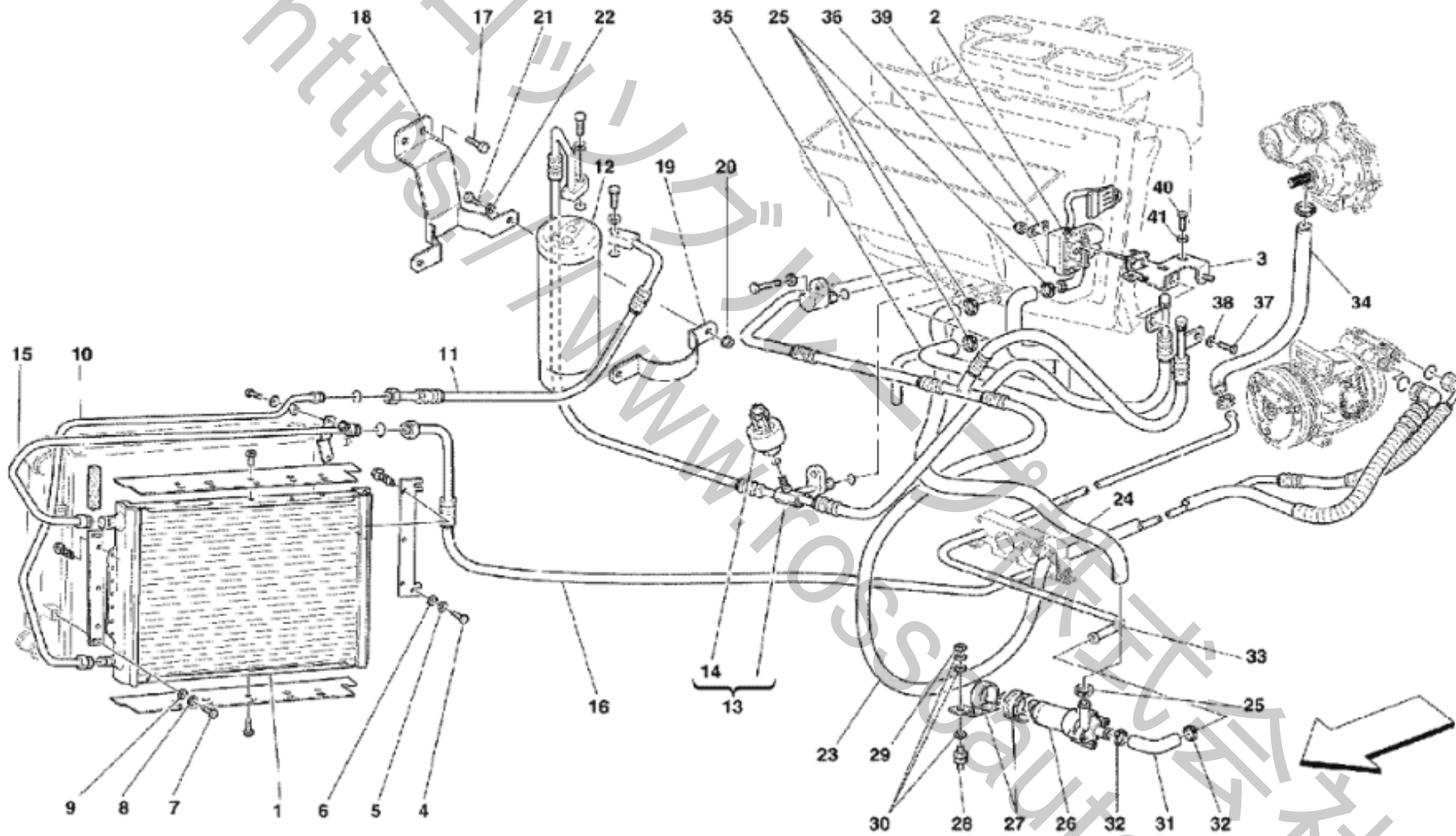
<147 Evaporator Unit>



<147 Evaporator Unit>

No.	Part No.	Name	Qty
1	68070600	COMPLETE EVAPORATOR SET	1
1	68070700	COMPLETE EVAPORATOR SET	1
2	147985	NUT	4
3	12646724	WASHER	4
4	204068	A.C. ELECTRONIC CONTROL STATION	1
5	66159300	ECU FIXING BRACKET	1
6	66207600	FRONT DOOR ACTUATOR FIXING	1
7	66207300	BULHER ACTUATOR	4
8	66207400	FRONT FLOOR ACTUATOR FIXING	1
9	66159100	DEFROST DOOR ACTUATOR FIXING	1
10	68154200	AIR TEMPERATURE SENSOR	2
11	64280200	ELECTRO-BLOWER REGULATOR	1
12	66158300	EVAPORATOR BATTERY COVER	1
13	63960100	EXPANSION VALVE	1
14	64281500	UPPER FLANGE	1
15	66157900	PIPE FROM A/C GROUP	1
16	65229300	PIPE FROM EVAPORATOR	1
17	64280900	R.H. ELECTRIC MOTOR	1
18	66159000	ACTUATOR SUPPORT	1
19	65258600	GASKET	1
20	65384300	ANTI POLLEN FILTER	1
20	65384300G	ANTI POLLEN FILTER	1
21	65629700	A/C GROUP MOBILE DUCTING	1
22	65229100	WATER ENTRY PIPE	1
22	66218700	WATER ENTRY PIPE	1
23	65229200	WATER OUTLET PIPE	1
23	66218800	WATER OUTLET PIPE	1
24	65374100	PIPES GROMMET	1
25	65229900	A/C GROUP ELECTRIC SYSTEM	1
26	65230200	SLEEVE FOR CONDENSATE VENT	1
27	66159200	EVAPORATOR FIXING BRACKET	1
28	65930900	EVAPORATOR UPPER GASKET	1
29	66207500	A/C GROUP SET OF GASKETS	1
30	159147	RUBBER THICKNESS	1
31	67014700	ACTUATOR SUPPORT	1

<148 Air Conditioning System>



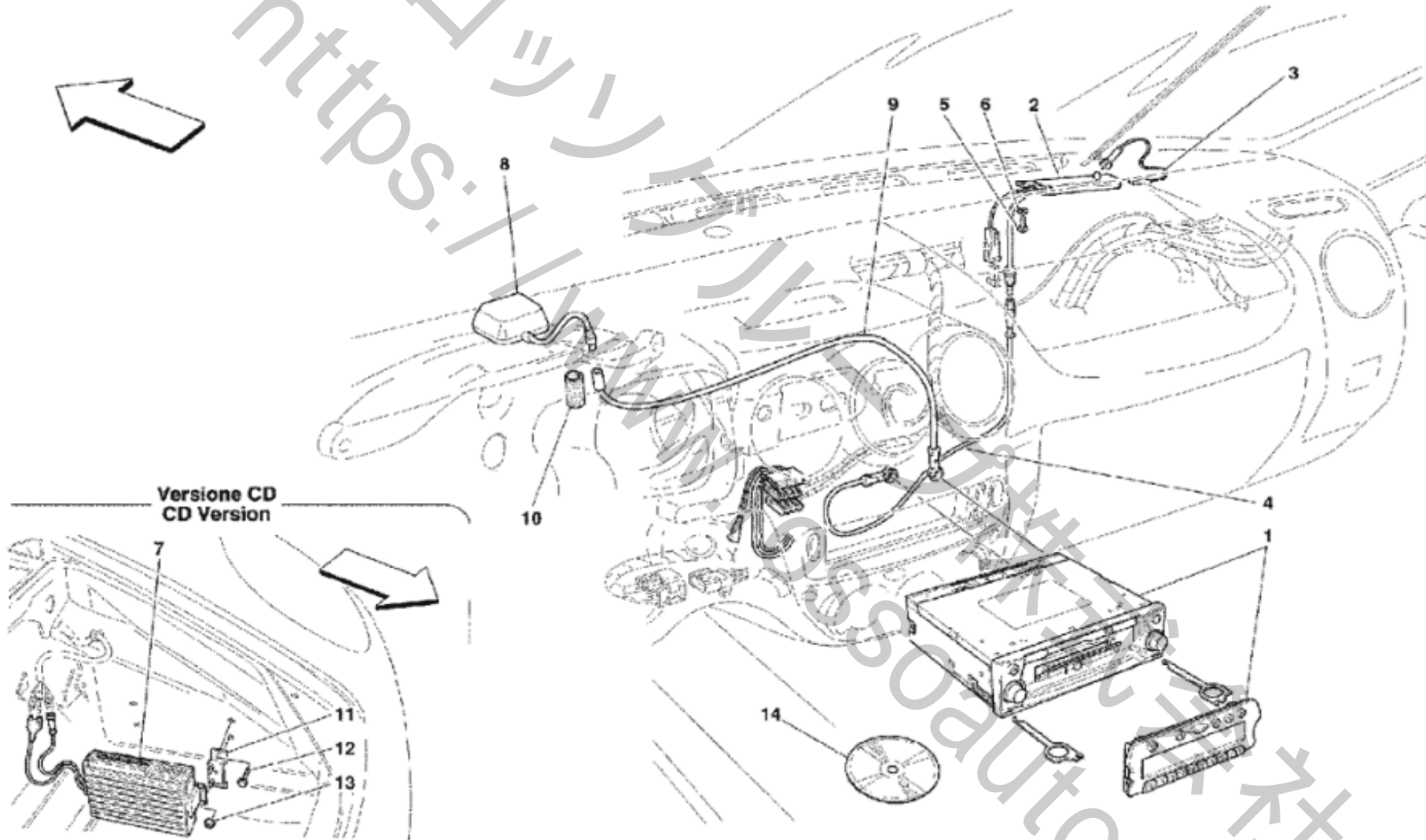
<148 Air Conditioning System>

No.	Part No.	Name	Qty
1	200340	A.C. CONDENSER	1
2	65066400	TGK VALVE	1
3	66150300	BRACKET FOR VALVE FIXING	1
3	68643100	BRACKET FOR VALVE FIXING	1
4	10902124	SCREW	3
5	12601274	WASHER	3
6	14496424	WASHER	3
7	60909500	SCREW	1
8	12601274	WASHER	1
9	12643724	WASHER	1
10	80668700	DELIVERY METAL PIPE	1
11	67750800	HOSE FROM CONDENSER TO FILTER	1
12	67085100	DEHYDRATING FILTER	1
13	67750900	PIPE FROM FILTER TO A.C. SYSTEM	1
13	68640900	PIPE FROM FILTER TO A.C. SYSTEM	1
14	65628200	PRESSOSTAT	1
15	67750500	INLET METAL PIPE	1
16	67750400	UNDERFLOOR PIPE	1
17	10902224	SCREW	2
18	67942300	BRACKET	1
19	67942400	RING	1
20	14098700	NUT	2
21	68721400	SCREW	2
22	12644424	WASHER	2
23	67750300	PIPE FROM A.C. SYSTEM TO COMPRESSOR	1
23	68640800	PIPE FROM A.C. SYSTEM TO COMPRESSOR	1
24	69741700	PIPE FROM MINIMUM PUMP TO A.C. SYSTEM	1
24	68641000	PIPE FROM MINIMUM PUMP TO A.C. SYSTEM	1
25	13000390	SCREW COLLAR	4
26	65460300	MINIMUM PUMP	1
27	68018300	COMPLETE BRACKET	1
28	195373	PAD	2
29	15896211	NUT	2
30	10571570	WASHER	2
31	65460700	PIPE FROM UNDERFLOOR PIPE TO MINIMUM PUMP	1
32	13000490	SCREW COLLAR	2

33	68393000	WATER PIPE UNDERFLOOR	1
34	68145500	PIPE FROM WATER PUMP TO UNDRFLOOR PIPE	1
35	65231700	PIPE FROM A.C. HEATER TO TGK VALVE	1
35	68641100	PIPE FROM A.C. HEATER TO TGK VALVE	1
36	12574011	NUT	2
37	10977524	SCREW	1
38	11188079	WASHER	1
39	65929400	SMALL PLATE	1
40	11193274	WASHER	2
41	11193274	WASHER	2
42	68863200	PIPE CONNECTING FILTER A.C. LOADING	1
43	212340	BRACKET	1

<https://www.rossoauto.com> 株式会社

<149 Stereo Equipment>



Versione CD
CD Version

7



11

12

13

10

14

9

5

6

2

3

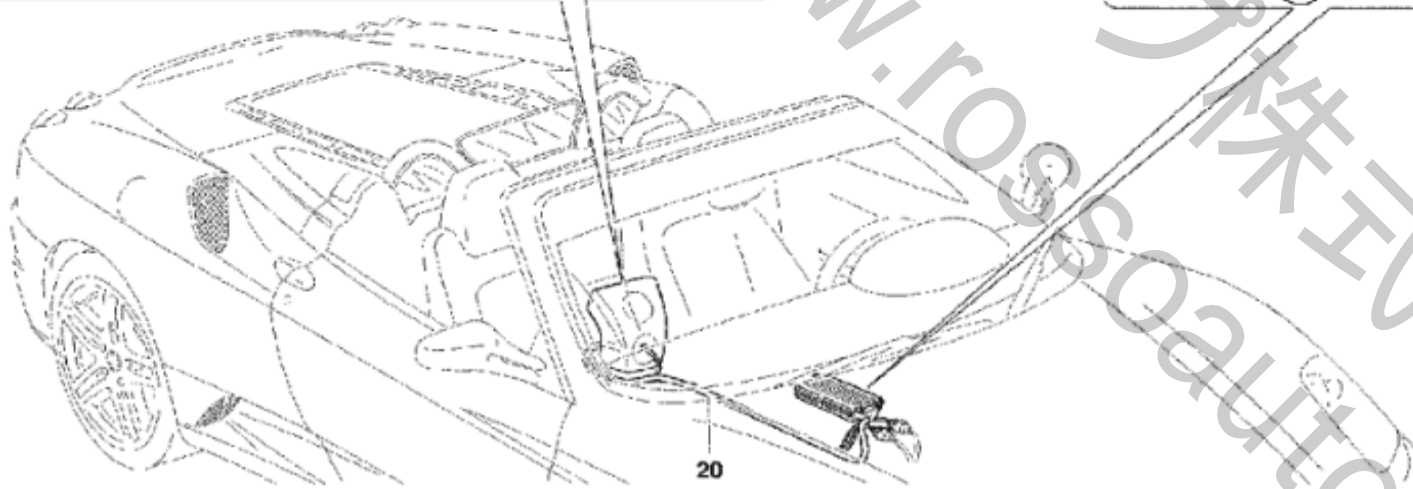
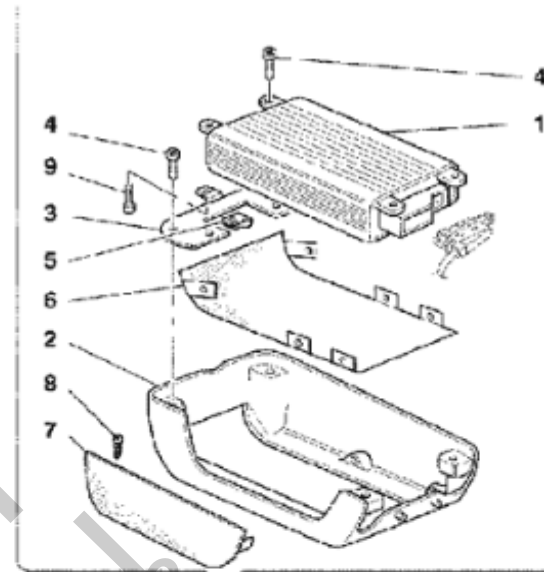
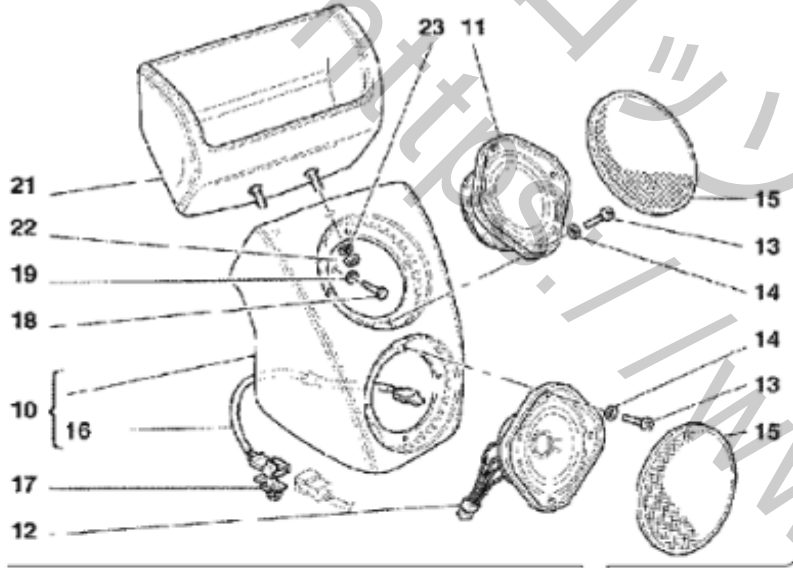
4

1

<149 Stereo Equipment>

No.	Part No.	Name	Qty
1	217283	FERRARI BECKER RADIO CD PLAYER UNIT	1
1	249530	GPS CAR NAVIGATOR	1
2	201355	ANTENNA PRE-AMPLIFIER	1
3	201353	ANTENNA CABLE TO WINDSCREEN	1
4	201354	ANTENNA CABLE TO CAR STEREO	1
5	16285127	SCREW	1
6	12638178	WASHER	1
7	194414	CD CHARGER	1
8	208652	GPS ANTENNA	1
9	207764	GPS ANTENNA EXTENSION	1
10	179309	SPONGE	1
11	67196800	FRONT BRACKET	1
11	67197000	REAR BRACKET	1
12	169611	SCREW	4
13	12574011	NUT	4
14	200969	CD ROM MAP	1

<150 Radio Amplifier System>

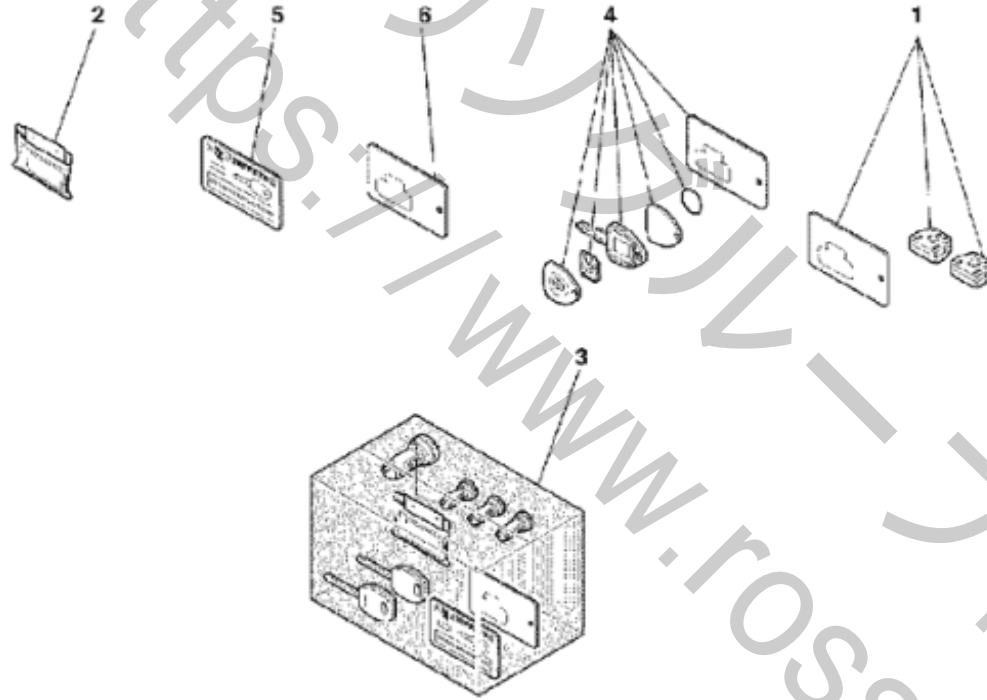


20

<150 Radio Amplifier System>

No.	Part No.	Name	Qty
1	188900	AUDIO AMPLIFIER	1
2	688897..	AMPLIFIER BOX	1
3	66770800	BRACKET FOR FIXING AMPLIFIER	1
4	13273977	SCREW	6
5	14371274	BRACKET	2
6	66771400	LOWER GRILL FOR AMPLIFIER PROTECTION	1
7	68935400	LATERAL GRILL FOR AMPLIFIER PROTECTION	1
8	15538601	SCREW	14
9	13274377	SCREW	1
10	666944...	SUBWOOFER BOX	1
10	66694400	SUBWOOFER BOX	1
11	188609	LOUD SPEAKER SUBWOOFER WITHOUT MAGNET	1
12	188610	LOUD SPEAKER SUBWOOFER	1
13	13272077	SCREW	8
14	12637878	WASHER	8
15	68931100	LOUD SPEAKER GRILL	2
16	190455	SUBWOOWER BOX CONNECTION CABLE	1
17	155978	CLIP	1
18	10903421	SCREW	2
19	109483	WASHER	2
20	216918	AMPLIFIER CONNECTION CABLE	1
21	672090..	BOX SUBWOOFER CONTAINER	1
22	113647	NUT	2
23	12638124	WASHER	2

<151 Immobilizer Kit>



<151 Immobilizer Kit>

No.	Part No.	Name	Qty
1	216952	ALARM KIT	1
2	216953	SHEETS KIT	1
3	213632	LOCKS SET COMPLETED WITH STEERING LOCK AND KEY	1
4	215675	BLANK KEY	1
5	153603	CODE CARD FERRARI	1
6	186585	RADIOCONTROLLER CODE KEY	1

<https://www.rossoauto.com> 株式会社