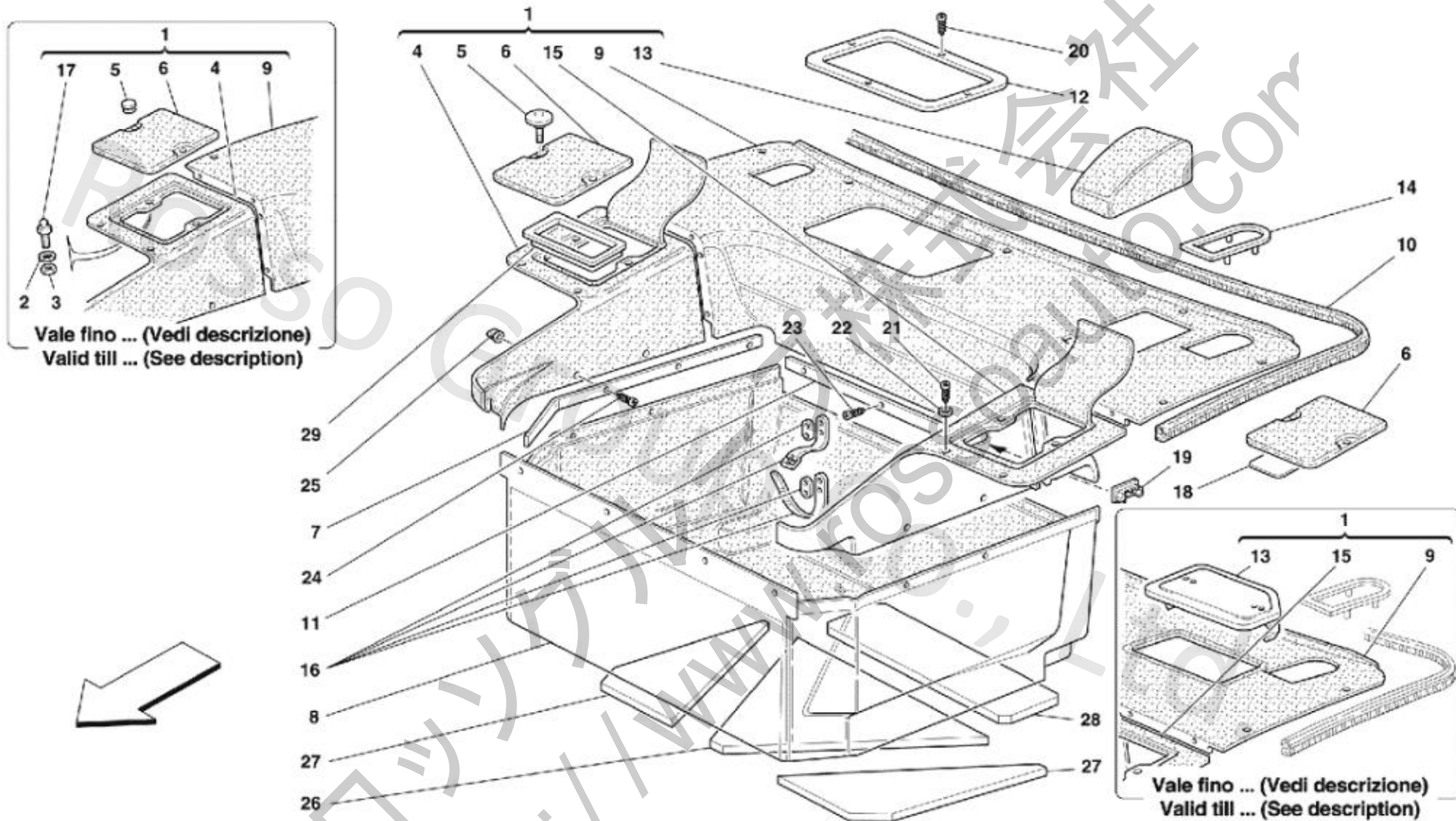


112 Front Compartment Carpets



<https://www.fros.com>

112 Front Compartment Carpets

No.	Part No.	Name	Qty
1	65752900	CARPET SERIES FOR TRUNK COMPARTMENT	1
1	65753300	CARPET SERIES FOR TRUNK COMPARTMENT	1
1	62886800	CARPET SERIES FOR TRUNK COMPARTMENT	1
1	65753000	CARPET SERIES FOR TRUNK COMPARTMENT	1
1	65753500	CARPET SERIES FOR TRUNK COMPARTMENT	1
2	12638124	WASHER	4
3	169180	NUT	4
4	62875600	R.H. SIDE CARPET	1
4	65406900	R.H. SIDE CARPET	1
4	65327500	R.H. SIDE CARPET	1
4	64896400	R.H. SIDE CARPET	1
5	65420000	BUTTON WITH PIN	4
5	60727200	FEMALE BUTTON	4
6	65407400	CONTROL UNIT INSPECTION COMPLETE COVER	2
6	62957600	CONTROL UNIT INSPECTION COMPLETE COVER	2
6	64896600	CONTROL UNIT INSPECTION COMPLETE COVER	2
7	62989400	SIDE MOLDING	2
8	64883800	TRUNK BOTTOM CARPET	1
8	64526900	TRUNK BOTTOM CARPET	1
9	64896300	REAR CARPET FOR TRUNK BOTTOM	1
9	62875800	REAR CARPET FOR TRUNK BOTTOM	1
9	65295100	REAR CARPET FOR TRUNK BOTTOM	1
9	65295000	REAR CARPET FOR TRUNK BOTTOM	1
10	62086300	GASKET	1
11	63015100	CENTRAL MOLDING	1
11	62989300	CENTRAL MOLDING	1
12	62897400	A.C. AIR INTAKE MOLDING	1
13	62957500	COVER FOR BRAKE OIL INSPECTION	1
13	65342200	COVER FOR BRAKE OIL INSPECTION	1
13	65586900	COVER FOR BRAKE OIL INSPECTION	1
14	62897300	MOULDING	2
15	65409500	L.H. SIDE CARPET	1
15	62875700	L.H. SIDE CARPET	1
15	65409600	L.H. SIDE CARPET	1
15	64896500	L.H. SIDE CARPET	1
16	63568100	COMPLETE BELT FOR TOOL KIT	1
17	60084407	SCREW TAP	4
18	157508	PLATE FOR FUSE IDENTIFICATION	1

112 Front Compartment Carpets

19	139517 DOME LAMP	1
20	15914977 SCREW	4
21	15916877 SCREW	4
22	12611307 WASHER	4
23	15917177 SCREW	3
24	15917377 SCREW	6
25	14201980 BLOCK	13
26	64527100 CENTRAL FRONT FILLER	1
27	64527000 LATERAL FRONT FILLER	1
28	64527200 REAR FILLER	1
29	65351400 PLATE	1

ロッセオ自動車株式会社
<https://www.rossoauto.com>