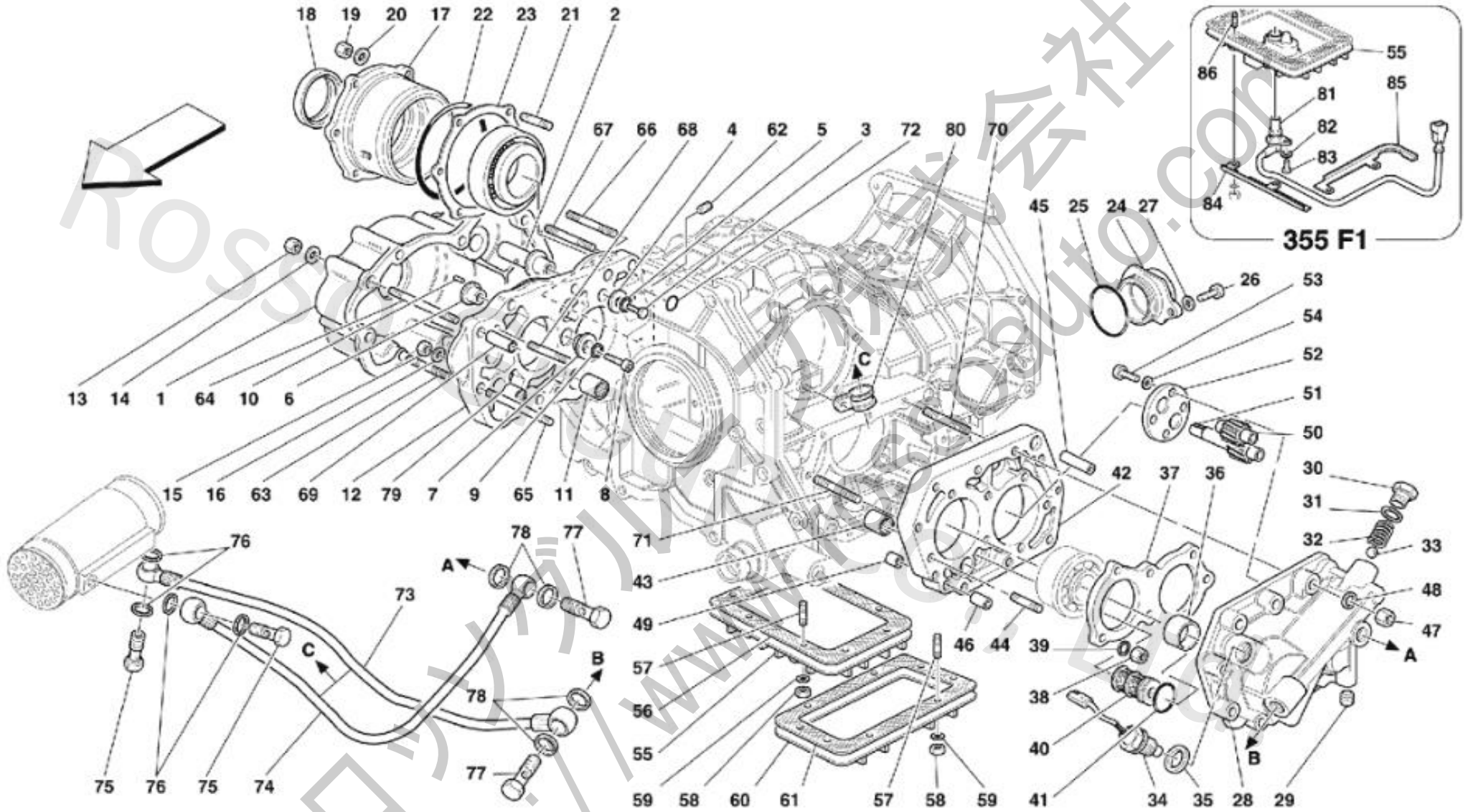


031 Gearbox Covers and ...



031 Gearbox Covers and ...

No.	Part No.	Name	Qty
1	163819	R.H. LATERAL COVER	1
2	160937	PIN FOR NEUTRAL REVERSE GEAR	1
3	10902011	SCREW	1
4	157217	WASHER	1
5	127494	WASHER	1
6	131756	BUSHING	1
7	131757	BUSHING	1
8	14305724	SCREW	1
9	10569273	WASHER	1
10	14159470	FLEXIBLE PIN	1
11	143341	BUSHING	1
12	163953	R.H. INTERMEDIATE PLATE	1
13	133989	NUT	10
14	12601374	WASHER	10
15	114748	NUT	4
16	12601274	WASHER	4
17	143448	DIFFERENTIAL LATERAL COVER	2
18	141509	L.H. GASKET	1
18	133628	R.H. GASKET	1
19	16100814	NUT	12
20	12601374	WASHER	12
21	13543324	STUD	8
21	12354524	STUD	4
22	139453	O.R. GASKET	2
23	132135	SPACER MM. 1,30	2
23	132136	SPACER MM. 1,40	2
23	145457	SPACER MM. 1,45	2
23	132137	SPACER MM. 1,50	2
23	145458	SPACER MM. 1,55	2
23	132138	SPACER MM. 1,60	2
23	145459	SPACER MM. 1,65	2
23	132139	SPACER MM. 1,70	2
23	132140	SPACER MM. 1,80	2
23	132141	SPACER MM. 1,90	2
24	154640	OIL SEAL COVER	1
25	131747	O.R. GASKET	1
26	10902124	SCREW	2
27	12601274	WASHER	2

031 Gearbox Covers and ...

28	145052 L.H. LATERAL COVER	1
29	14326101 THREADED PLUG	1
30	145148 PLUG	1
31	145192 GASKET	1
32	135771 SPRING	1
33	135770 BALL	1
34	149095 PULSE SENSOR	1
35	10263460 GASKET	1
36	113088 SEAL RING SEAT	1
37	145272 BEARINGS RETAINIG FLANGE	1
38	16100814 NUT	7
39	127496 WASHER	7
40	115538 FILTER	1
41	101034 O.R. GASKET	1
42	147995 L.H. COVER INTERMEDIATE BODY	1
43	143341 BUSHING	1
44	13543224 STUD	7
45	131746 DOWEL	1
46	125717 DOWEL	1
47	16100814 NUT	10
48	12601374 WASHER	10
49	100041 DOWEL	1
50	109723 DRIVEN GEAR	1
51	109722 DRIVING GEAR	1
52	121962 SMALL COVER	1
53	10902224 SCREW	4
54	12601274 WASHER	4
55	142218 CENTRAL LOWER COVER	1
55	169142 CENTRAL LOWER COVER	1
56	177720 GASKET	1
57	11499924 STUD	16
58	10725914 NUT	16
59	12601274 WASHER	16
60	154679 LATERAL LOWER COVER	2
61	177719 GASKET	2
62	65928500 THREADED PLUG	1
63	13543824 STUD	3
64	13970424 STUD	1
65	13970324 STUD	4

031 Gearbox Covers and ...

66	13544224	STUD	1
67	13543924	STUD	1
68	13540824	STUD	4
69	142220	CENTERING DOWEL	2
70	13544324	STUD	8
71	13544224	STUD	2
72	134705	O.R. GASKET	1
73	168921	PIPE TO HEAT EXCHANGER	1
74	168920	PIPE FROM HEAT EXCHANGER	1
75	184727	UNION	2
76	145192	GASKET	4
77	184727	UNION	2
78	145192	GASKET	4
79	106500	SELF-LUBRICATING BUSHING	2
80	10441890	BRACKET WITH SHEATH	1
81	168729	ELECTRO-MAGNETIC SENSOR	1
82	10615474	WASHER	1
83	14305224	SCREW	1
85	170805	PROTECTION CENTRAL CONTOUR	1
85	170804	PROTECTION L.H. CONTOUR	1
86	11500024	STUD	4

株式会社
<https://www.rossoauto.com>